

# P385 PAVER



## Parts Manual



May, 2013  
S/N 1001 – UP  
Part # 15921

THIS PAGE INTENTIONALLY LEFT BLANK

THIS PAGE INTENTIONALLY LEFT BLANK

# TABLE OF CONTENTS

## DECALS

LEFT & RIGHT DECALS	1.1
FRONT, BACK & TOP DECALS	1.2

## ENGINE

ENGINE ASSEMBLY	2.1
INTAKE & EXHAUST ASSEMBLY	2.2
RADIATOR ASSEMBLY	2.3
FUEL TANK ASSEMBLY	2.4
FUEL PUMP ASSEMBLY	2.5
GENERATOR ASSEMBLY	2.6
GENERATOR BREAKDOWN SERIAL NUMBER 1186 & UP	2.7

## HYDRAULICS

HYDROSTAT & PUMPS	3.1
VALVES	3.2
HYDRAULIC TANK ASSEMBLY	3.3
SUPPLY HOSE DIAGRAM	3.4
CONVEYOR & AUGER HOSE DIAGRAM	3.5
TRACK HOSE DIAGRAM	3.6
LIFT HOSE DIAGRAM	3.7
SCREED HOSE DIAGRAM	3.8

## OPERATOR'S STATION

SEAT MOUNT ASSEMBLY	4.1
CONTROL PANEL ASSEMBLY	4.2
STEERING WHEEL CONTROL PANEL ASSEMBLY	4.2.1
CONTROL PANEL SWITCHES ASSEMBLY	4.3
STEERING WHEEL CONTROL PANEL SWITCHES ASSEMBLY	4.3.1
STEERING ASSEMBLY	4.4

## FRAME, HOPPER & COVERS

FRAME ASSEMBLY	5.1
HOODS & COVERS ASSEMBLY	5.2
HOPPER ASSEMBLY	5.3
PUSH ROLLER ASSEMBLY	5.4

## FEEDER SYSTEM

AUGER ASSEMBLY	6.1
CUT-OFF DOOR ASSEMBLY	6.2
CONVEYOR CHAIN ASSEMBLY	6.3
CONVEYOR DRIVE ASSEMBLY	6.4
CONVEYOR IDLER ASSEMBLY	6.5
CONVEYOR SCRAPER ASSEMBLY	6.6

## TRACK ASSEMBLY

TRACK ASSEMBLY	7.1
PLANETARY BREAKDOWN	7.2

## WASHDOWN SYSTEM

WASHDOWN ASSEMBLY	8.1
-------------------	-----

## SCREED

EXTENSION SCREED ASSEMBLY	9.1
SLIDE AND PIVOT ASSEMBLY	9.2
SLIDE AND PIVOT BREAKDOWN	9.3
VIBRATOR ASSEMBLY	9.4
SCREED COVERS & WALKWAY ASSEMBLY	9.5
EXTENSION SCREED SUB-ASSEMBLY	9.6
MAIN SCREED SUB-ASSEMBLY	9.7
SLOPE & CROWN ADJUSTMENT ASSEMBLY	9.8

# TABLE OF CONTENTS

## TOW ARM ASSEMBLY

FRONT TOW ARM ASSEMBLY	10.1
REAR TOW ARM ASSEMBLY	10.2

## ELECTRICAL

WIRE HARNESS ASSEMBLY	11.1
RELAYS, DIODES & CIRCUIT BREAKERS	11.2

## OPTIONAL EQUIPMENT

TRUCK HITCH ASSEMBLY	12.1
WORK & STROBE LIGHT ASSEMBLY	12.2
HANDHELD REMOTE ASSEMBLY	12.3
ELECTRIC EXTENSION HEIGHT	12.4
SCREED CUT-OFF GATES ASSEMBLY	12.5
WALKWAY EXTENSIONS ASSEMBLY	12.6
TRUCK HITCH HOSE DIAGRAM	12.7
TOPCON ASSEMBLY	12.8
RESERVED FOR FUTURE OPTION	12.9
CONVEYOR SHUT OFF PADDLE SWITCH OPTION	12.10
POWER HYDRAULIC SLOPE ASSEMBLY	12.11
POWER HYDRAULIC SLOPE HOSE DIAGRAM	12.12
BOLT-ON BERM ASSEMBLY	12.13

## VALVES

HOPPER, SCREED & TOW VALVE BREAKDOWN	13.1
AUGER & CONVEYOR VALVE BREAKDOWN	13.2
VIBRATOR & SCREED VALVE BREAKDOWN	13.3
TRACK TENSION VALVE BREAKDOWN	13.4
BRAKE & 2 SPEED VALVE BREAKDOWN	13.5
TRUCK HITCH VALVE BREAKDOWN	13.6
SCREED SLOPE VALVE BREAKDOWN	13.7

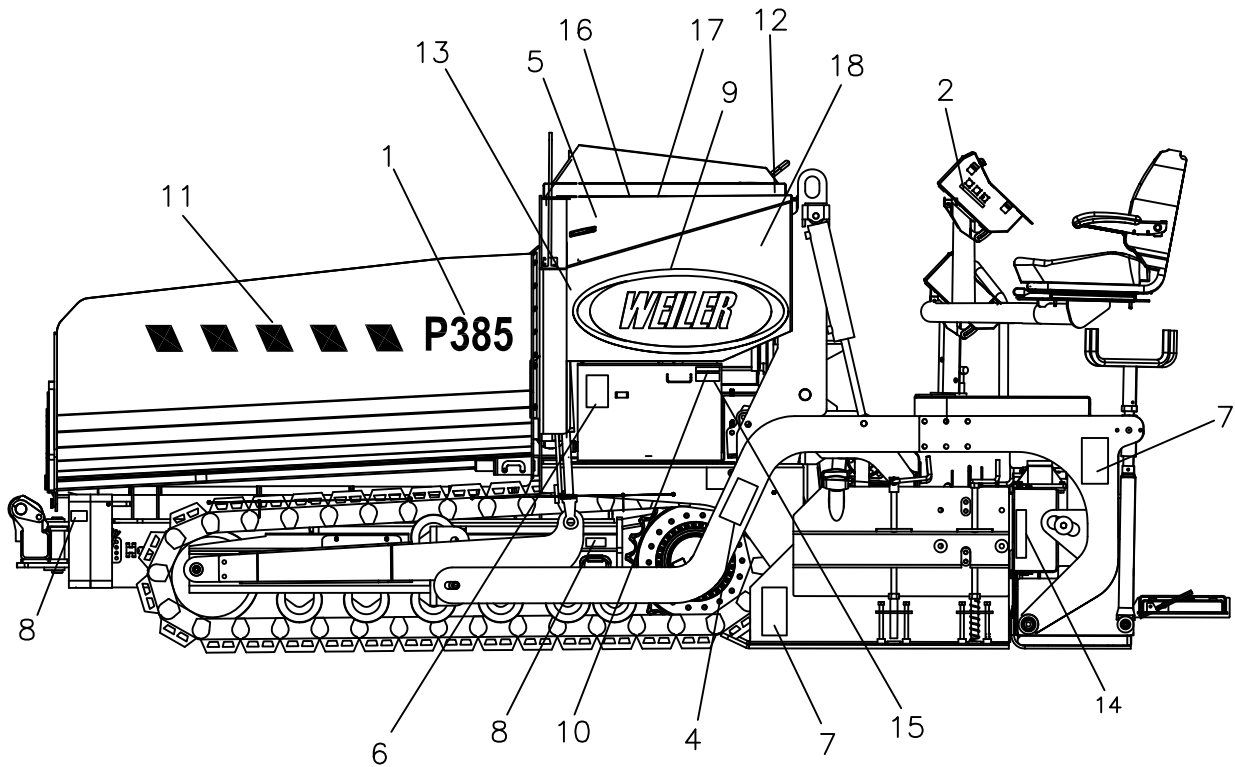
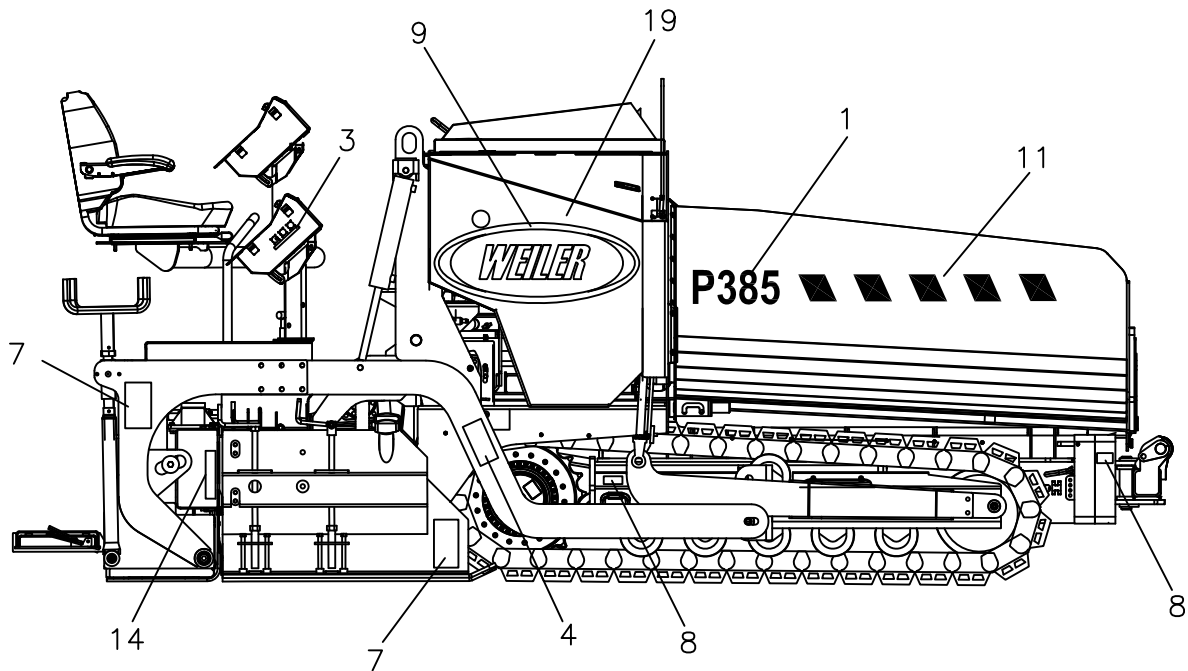
## ELECTRICAL SCHEMATICS

ELECTRICAL SCHEMATICS 1	14.1
ELECTRICAL SCHEMATICS 2	14.2
ELECTRICAL SCHEMATICS 3	14.3

## HYDRAULIC SCHEMATICS

HYDRAULIC SCHEMATICS 1	15.1
HYDRAULIC SCHEMATICS 2	15.2

# LEFT & RIGHT DECALS

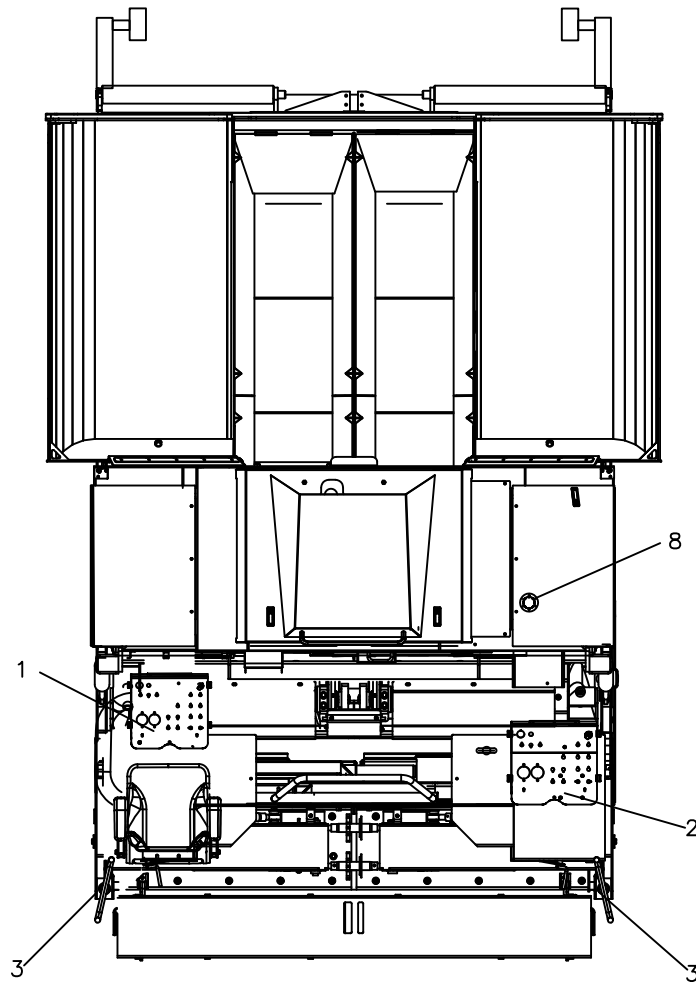
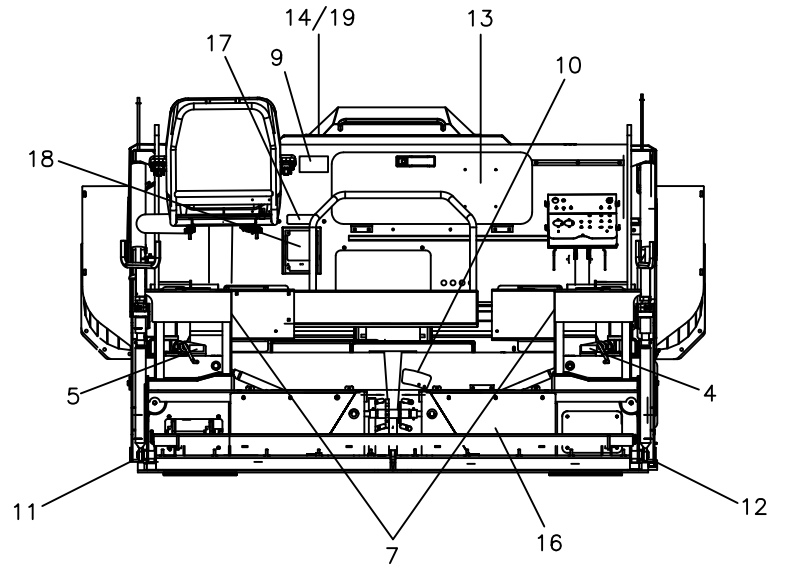
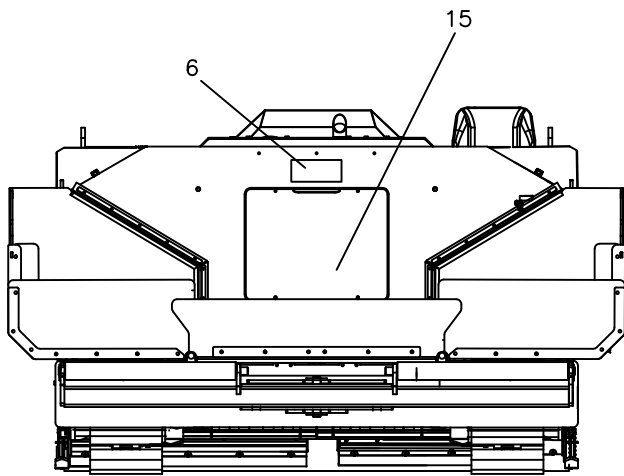


## LEFT & RIGHT DECALS

ITEM NO.	PART NO.	DESCRIPTION	QTY	REMARKS
1	17244	DECAL - P385	2	
2	14903	DECAL-LHS PANEL PLUG LOCATIONS	1	
3	14902	DECAL-RHS PANEL PLUG LOCATIONS	1	
4	CAA-46-2320	DECAL-WARNING STAND CLEAR	2	
5	12696	DECAL - MASTER SWITCH ON/OFF	1	UNDER LH HOOD
6	CB-46-2337	DECAL-NO SMOKING	1	
7	CBA-46-2320	DECAL - WARNING PINCH POINT	4	
8	6937	DECAL-TIE DOWN POINT	4	
9	7247	DECAL - WEILER LOGO 30" X 11.72"	2	
10	73161381	DECAL-DIESEL FUEL ONLY	1	
11	7329	DECAL STRIPE 5 SEGMENT	2	
12	9794	DECAL - WASHDOWN SOLUTION	1	UNDER LH HOOD
13	C6V4611	DECAL-WARNING JUMPER CABLE	1	UNDER LH HOOD
14	18370	EXTENSION HEIGHT DECAL	2	
15	V2326324	DECAL - FUEL SAFETY	1	
16	V70000044	BATTERY HAZARD	1	UNDER LH HOOD
17	18146	DECAL - P385 FUSES, BREAKERS, RELAYS	1	UNDER LH HOOD
18	7428	DECAL - SPRAY DOWN SWITCH	1	UNDER LH HOOD
19	18537	AUGER/CONVEYOR & TRACK VALVES DECAL	1	UNDER RH HOOD

GROUP:13432 & 13438

# FRONT, BACK & TOP DECALS

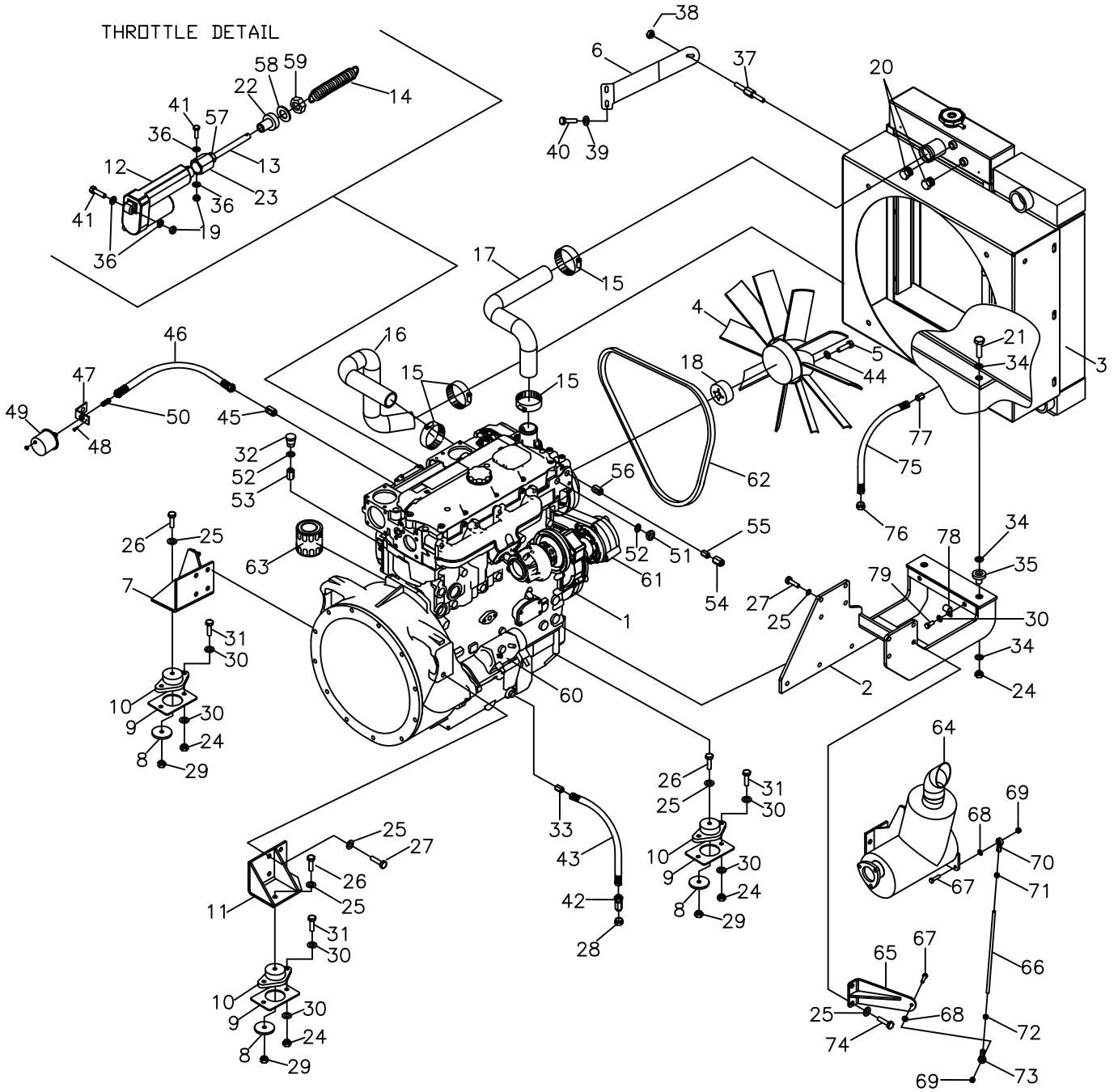




## FRONT, BACK & TOP DECALS

ITEM NO.	PART NO.	DESCRIPTION	QTY	REMARKS
1	14535	DECAL-LH INSTRUMENT PANEL	1	
2	14536	DECAL-RH INSTRUMENT PANEL	1	
3	14693	DECAL - SCREED THICKNESS SCREWS	2	
4	14694	DECAL - RH EXTENDER HEIGHT	1	
5	14695	DECAL - LH EXTENDER HEIGHT	1	
6	CA462333	DECAL-WARNING DO NOT STAND IN HOPPER	1	
7	CA-46-2361	DECAL-CLEAN WALKWAYS	2	
8	V23261756	DECAL - HYDRAULIC OIL SYMBOL	1	
9	CE-46-2333	DECAL-GUARDS	1	
10	18369	CROWN ANGLE DECAL	1	
11	18371	LH EXTENSION WIDTH DECAL	1	ON LH SCREED EXTENSION
12	18372	RH EXTENSION WIDTH DECAL	1	ON RH SCREED EXTENSION
13	15754	DECAL - DIODE/LIMP-HOME	1	INSIDE OF REAR DOOR
14	V2326315	DECAL - FLUID UNDER PRESSURE	1	ON TOP OF RADIATOR
15	18536	HOPPER/SCREED/TOW VALVE DECAL	1	INSIDE OF FRONT DOOR
16	18538	VIBRATOR & SCREED VALVE DECAL	1	INSIDE OF RH SHIELD PLATE
17	21549	DECAL - STROBE & WORK LIGHTS	1	ABOVE BREAKER BOX
18	21665	DECAL - P385 BREAKERS	2	BREAKER BOX
19	18579	DECAL-ENGINE EMISION CONTROL INFO 2012	1	SERIAL NUMBER 1001-1183
	21617	DECAL-ENGINE EMISION CONTROL INFO 2013	1	SERIAL NUMBER 1184 & UP
	1432033	CHAIN #4 TWIST 35 1/2"	1	NOT SHOWN
	15921	P385 PARTS MANUAL	1	NOT SHOWN
	15922	P385 OPERATION AND MAINTENACE MANUAL	1	NOT SHOWN
	KEYRING	KEYRING	1	NOT SHOWN

# ENGINE ASSEMBLY

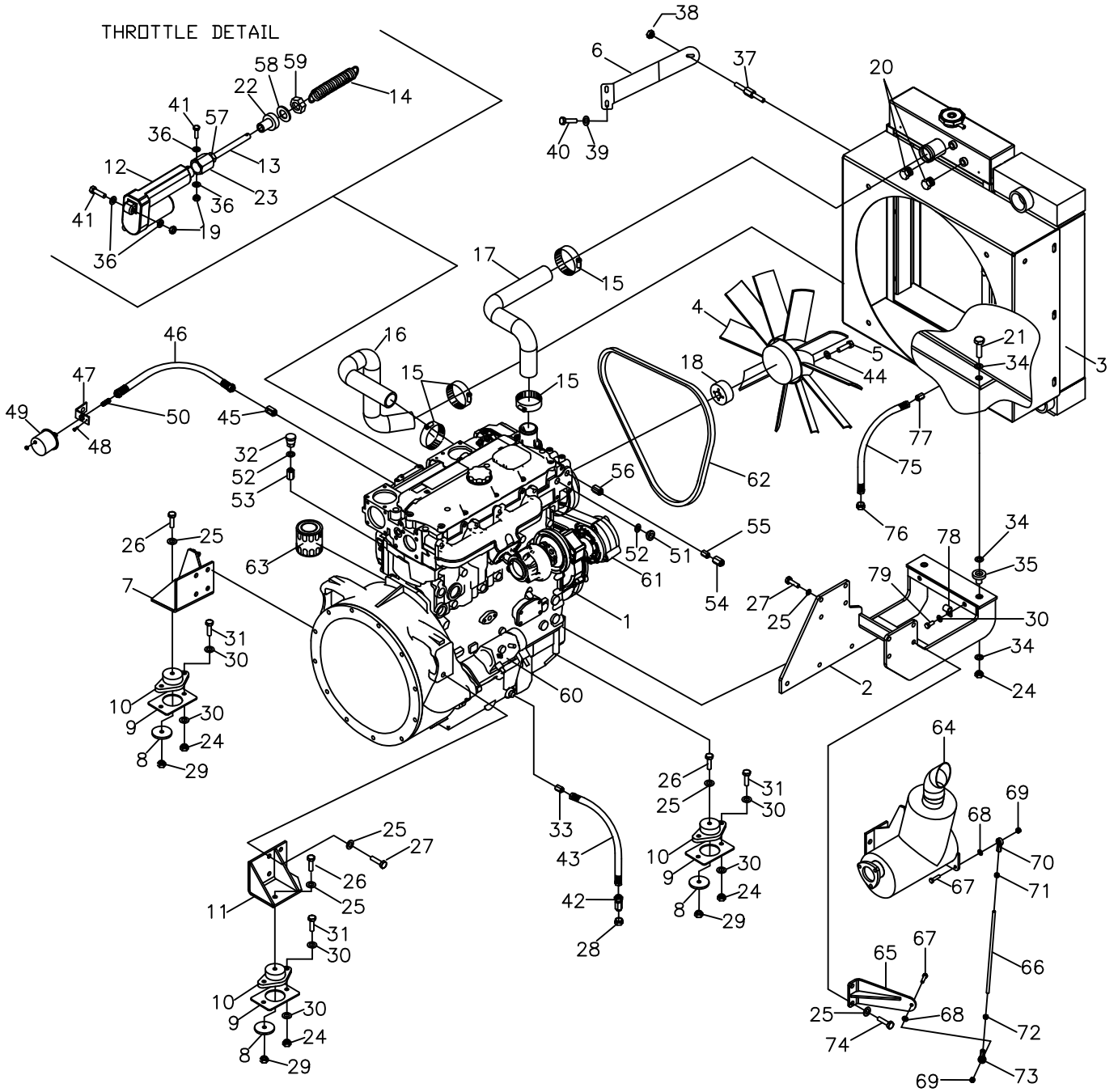


## ENGINE ASSEMBLY

ITEM NO.	PART NO.	DESCRIPTION	QTY	REMARKS
1	11334	CAT ENGINE C3.4T, 83 HP	1	INCLUDES ITEMS 32 & 60-63
2	11525	ENGINE MOUNT W/A	1	
3	11388	RADIATOR ASSY - C3.4 ENGINE	1	BREAKDOWN PAGE 2.3
4	11440	FAN - 19" SUCTION	1	
5	12502	BOLT M8-1.25 x 65 G8.8 ZY	4	BLUE LOCKTITE
6	11655	RADIATOR BRACE	1	
7	11462	FRONT RH ENGINE MOUNT W/A	1	
8	11528	WASHER .53IDx2.12OD - .134	3	
9	11465	ENGINE MOUNT SPACER	3	
10	11441	RUBBER ENGINE MOUNT	3	
11	11466	FRONT LH ENGINE MOUNT W/A	1	
12	11707	LINEAR ACTUATOR w/DEUTSCH RECEPTACLE	1	
13	11566	THROTTLE ROD	1	
14	10988	EXTENSION SPRING .62x4.0	1	
15	21997	WORM CLAMP 1 1/4 - 2 1/4	4	
16	11389	LOWER RADIATOR HOSE, 1.62" ID	1	
17	11390	UPPER RADIATOR HOSE, 1.62" ID	1	
18	11444	ENGINE FAN SPACER	1	
19	14654	LOCK NUT 1/4-20 CNTRLK ZY	2	
20	7348	FITTING - 1/4" NPT PLUG, SOCKET HEAD	2	
21	70922287	BOLT 3/8-16 x 1 3/4 GR8 ZY	2	
22	11113	THROTTLE BUSHING	1	
23	11112	THROTTLE ADAPTER	1	
24	3756	LOCK NUT 3/8-16 GRB CENTER LOCK ZY	8	
25	3784	WASHER 1/2 HARD ZY	19	
26	70923752	BOLT 1/2-13 x 2 1/2 GR8 ZY	3	
27	11112231	BOLT M12-1.75 x 22 Z	14	RED LOCKTITE, 90 FT-LBS
28	7339	FITTING - CAP, 8 ORS	1	SERIAL NUMBER 1001-1225
	73156791	PLUG 6ORS	1	SERIAL NUMBER 1226 & UP
29	3757	LOCK NUT 1/2-13 GRC TOPLOCK ZY	3	
30	70918266	WASHER 3/8 ZY	13	
31	70922605	BOLT 3/8-16 x 1 1/4 GR8 ZY	6	
32	C3150001	TEMP SWITCH	1	
33	7177	FITTING - 6 ORS X M14-1.5 MALE	1	
34	4115	WASHER 3/8 1.25 .19 ZY	6	
35	11442	CENTER BONDED RUBBER MOUNT	2	
36	70918264	WASHER 1/4 ZY	4	
37	11443	RUBBER SANDWICH MOUNT, 2 STUD	1	RED LOCKTITE TO SHROUD
38	13585	SERRATED FLANGE NUT 5/16-18 ZY	2	
39	70927454	WASHER 5/16 3/4 .13 HARD ZY	2	
40	16043431	BOLT M8-1.25 x 20 Z	2	RED LOCKTITE
41	4110	BOLT 1/4-20 x 1 1/2 Z	2	
42	73164162	FITTING 8 ORS BLKHD	1	SERIAL NUMBER 1001-1225
43	14628	HOSE - 3/8 x 20 - 6 ORS 90 / 8 ORS 100R1	1	SERIAL NUMBER 1001-1225
	6408	HOSE - 3/8 x 66 - 6 ORS / 6 ORS 90	1	SERIAL NUMBER 1226 & UP
44	3778	LOCK WASHER 5/16 Z	4	
45	13220	FITTING - 1/8-28 BPT (M) to1/8-27 NPT (F) PIPE ADAPTER	1	
46	13554	HOSE - 1/4 X 20 - 1/8 NPT(F) / 1/8 NPT (M) 3000PSI	1	
47	14952	OIL PRESS SWITCH BRACKET W/A	1	
48	5200	SCREW 10-24x3/8 PANHEAD PHILLIPS, SS	1	
49	8835	OIL PRESSURE SENDER, 1/8npt, 0-80 PSI	1	
50	70901467	FITTING 1/8MNPT-3/4 CLOSE NIPPLE	1	

GROUP:13416

# ENGINE ASSEMBLY

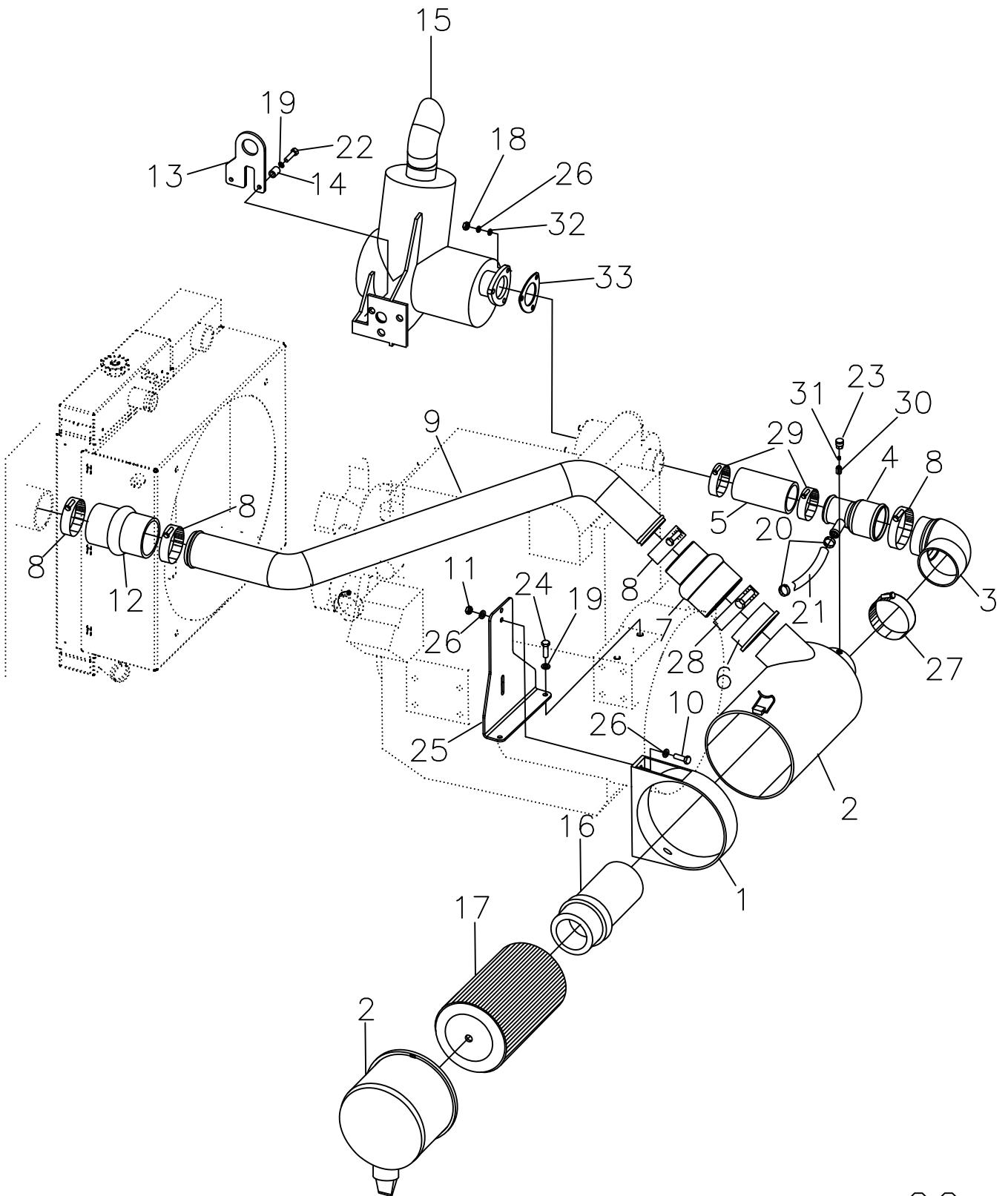


## ENGINE ASSEMBLY

ITEM NO.	PART NO.	DESCRIPTION	QTY	REMARKS
51	12192	PLUG - 16mm HOLLOW HEX	1	
52	12193	WASHER - 16mm BONDED SEAL	2	
53	12344	FITTING - MODIFIED	1	
54	8837	AC TEMP SENDER, 1/4npt	1	
55	12196	FITTING - REDUCER 3/8 NPT/ 1/4 NPT	1	
56	12198	FITTING - M16 to 3/8 NPT ADAPTOR	1	
57	70917421	JAM NUT 3/8-16 ZY	1	
58	4783	WASHER 5/8 1.25 HARD ZY	1	
59	70900370	NUT 5/8-11 ZY	1	
60	C1430539	C3.4 STARTER	1	
61	C2398502	ALTENATOR	1	
62	C2354972	C3.4 V-BELT	1	
63	C1R0734	OIL FILTER	1	
64	14529	P385 MUFFLER	1	
65	20429	MUFFLER SUPPORT	1	
66	20431	ROD 5/16-24RH/5/16-24LHx12.5	1	
67	4490	BOLT 5/16-18 x 1 1/4 ZY	2	
68	70911421	WASHER 5/16 HARD ZY	2	
69	3755	LOCK NUT 5/16-18 NYLON ZY	2	
70	73162973	BALL JOINT .312 x 5/16-24	1	
71	70920438	JAM NUT 5/16-24 Z	1	
72	70935965	JAM NUT 5/16-24 LH ZC	1	
73	73162974	BALL JOINT .312 x 5/16-24 LH	1	
74	9414	BOLT M12-1.75 x 30 GR8.8 ZY	2	RED LOCKTITE, 90 FT-LBS
75	3153	HOSE - 1/4 x 100 - 4 ORS 90 DEG / 4 ORS	1	
76	17845	FITTING - PLUG, 4 ORS	1	
77	6896	FITTING - 1/4 NPT / 4 ORS STR	1	
78	4645	P-CLAMP 1/2 3/8MTG HOLE	1	
79	70923485	BOLT 3/8-16 x 7/8 GR8 ZY	1	

GROUP:13416

# INTAKE & EXHAUST ASSEMBLY

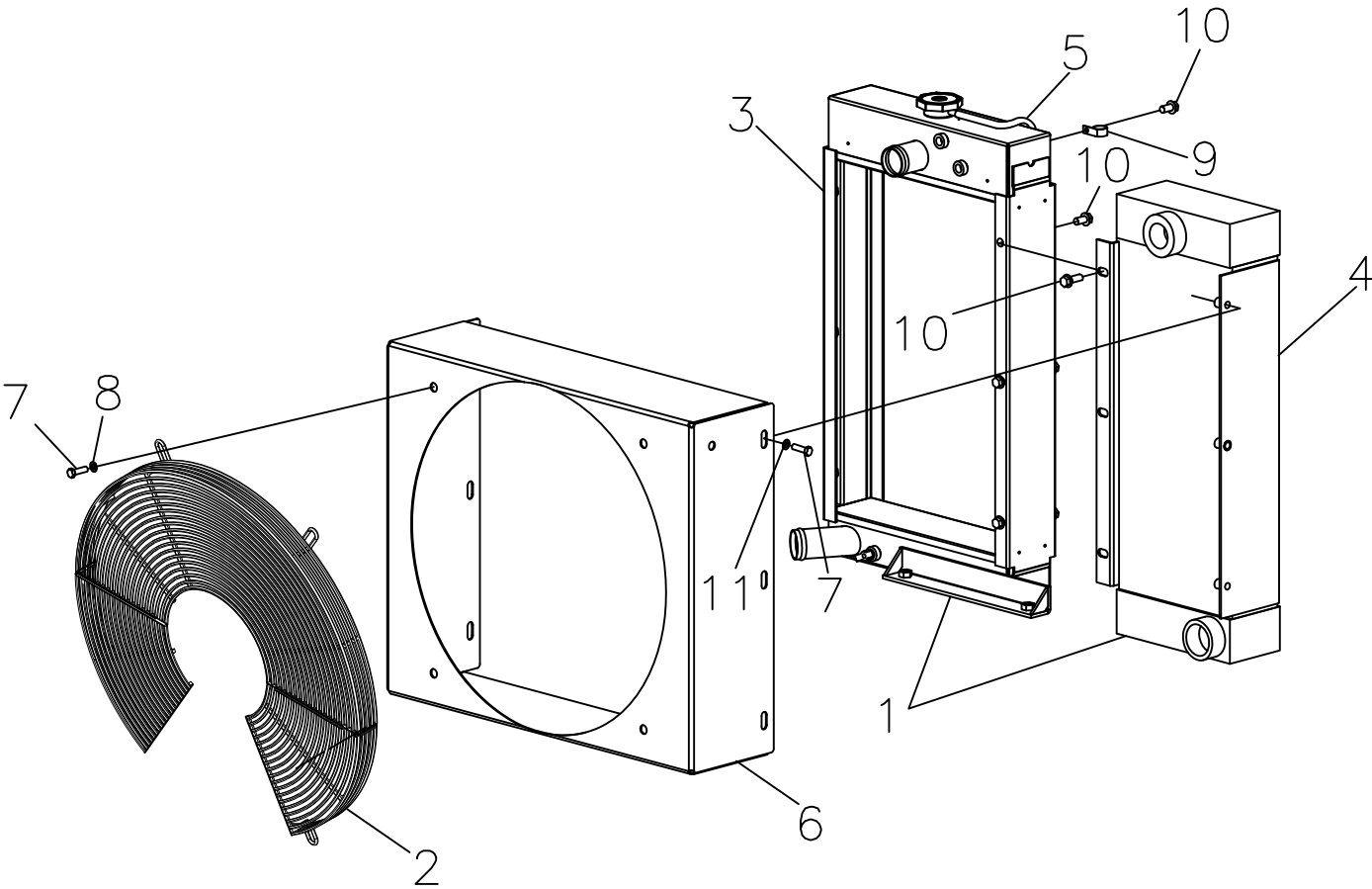


## INTAKE & EXHAUST ASSEMBLY

ITEM NO.	PART NO.	DESCRIPTION	QTY	REMARKS
1	4172	8" AIR CLEANER MOUNTING CLAMP	1	
2	4169	8.3" AIR CLEANER AY - PLASTIC	1	INCLUDES ITEMS 16 & 17
3	4173	RUBBER ELBOW 3.5" - 3" REDUCER	1	
4	11602	AIR INTAKE TUBE w/SPUD	1	
5	11919	2.25" ID HOSE - RAD/AIR INTAKE	1	
6	14458	RUBBER BUSHING 4 X 3 3/4	1	
7	14459	HUMP REDUCER 4 X 3	1	
8	70922199	WORM CLAMP 2.56 - 3.5	4	
9	13249	P385 AIR INTAKE TUBE	1	
10	4490	BOLT 5/16-18 x 1 1/4 ZY	2	
11	3755	LOCK NUT 5/16-18 NYLON ZY	2	
12	8030	TURBOCHARGER HUMP HOSE, 3" ID	1	
13	11953	MUFFLER SPACER	1	
14	11954	MUFFLER SPACER TUBE	2	
15	14529	P385 MUFFLER	1	
16	4641	AIR FILTER SAFETY ELEMENT	1	
17	4640	PRIMARY AIR FILTER ELEMENT	1	
18	20161	NUT M8-1.25 FLG WHIZ ZY	3	
	16043431	BOLT M8-1.25 x 20 Z	3	USE IF NO STUDS IN MOTOR
19	70918266	WASHER 3/8 ZY	4	
20	70921911	WORM CLAMP 1/2 - 1 1/4	2	
21	15759	HEATER HOSE 3/4" ID x 14"	1	
22	13553	BOLT M8-1.25 x 55 G8.8 Z	2	
23	4558	FILTER SERVICE INDICATOR W/RESTRICTOR	1	
24	5218	BOLT M10-1.50 x 25	2	
25	11599	AIR CLEANER MOUNT BRACKET	1	
26	3782	WASHER 5/16 ZY	7	
27	70922200	WORM CLAMP 3.3 - 4.25	1	
28	6986	WORM CLAMP 4.06 5.0	1	
29	70921913	WORM CLAMP 7/8 - 2 7/8	2	
30	14337	PIPE NIPPLE 1/8NPT X 2"	1	
31	14324	PIPE COUPLING 1/8NPT	1	
32	70927454	WASHER 5/16 3/4 .13 HARD ZY	3	
33	C518111	EXHAUST GASKET	1	

GROUP:13416

# RADIATOR ASSEMBLY



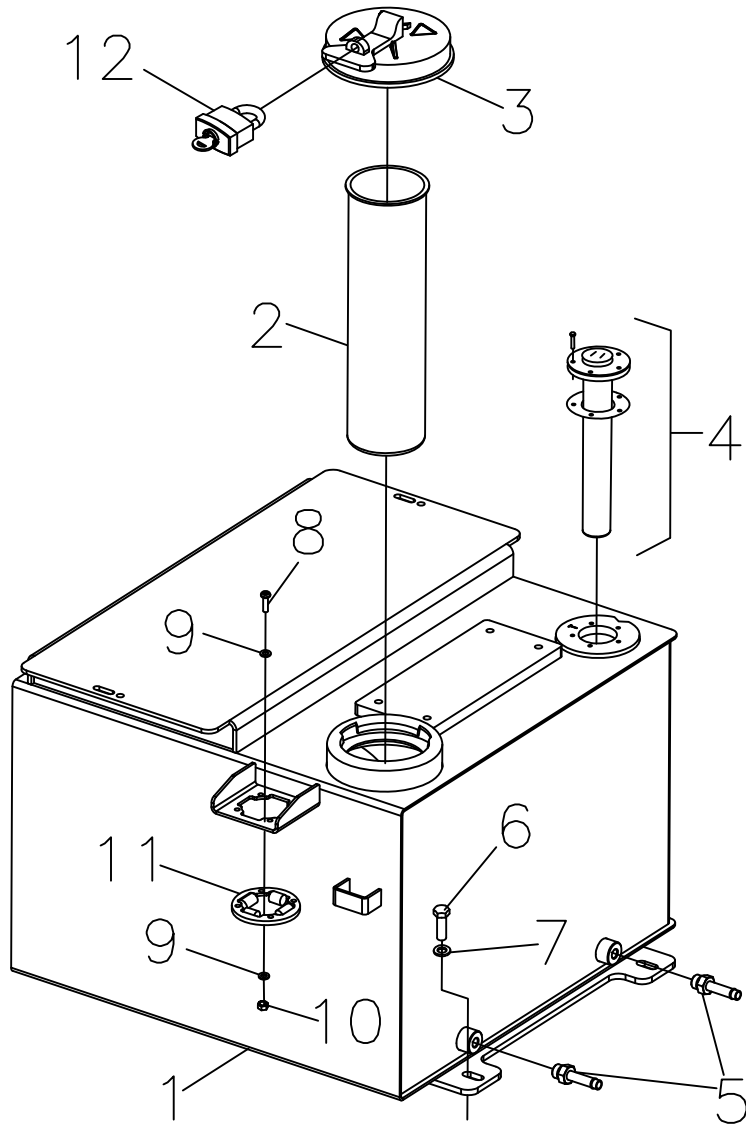


## RADIATOR ASSEMBLY

ITEM NO.	PART NO.	DESCRIPTION	QTY	REMARKS
1	11388	RADIATOR ASSY - C3.4 ENGINE	1	INCLUDES ITEMS 2-5 & 10
2	11388C1	WIRE GUARD	1	
3	11388C2	ASSEMBLY RADIATOR	1	
4	11388C3	OIL COOLER	1	
5	11388C4	OVERFLOW HOSE	1	
6	11579	FAN SHROUD W/A	1	
7	70923490	BOLT 3/8-16 x 1 GR8 ZY	10	
8	4115	WASHER 3/8 1.25 .19 ZY	4	
9	70926917	P-CLAMP 3/8 3/8 MTG HOLE	2	
10	9111C7	FLANGE BOLT 5/16-18 x 0.75	6	
11	70918266	WASHER 3/8 ZY	6	

GROUP:13416

# FUEL TANK ASSEMBLY

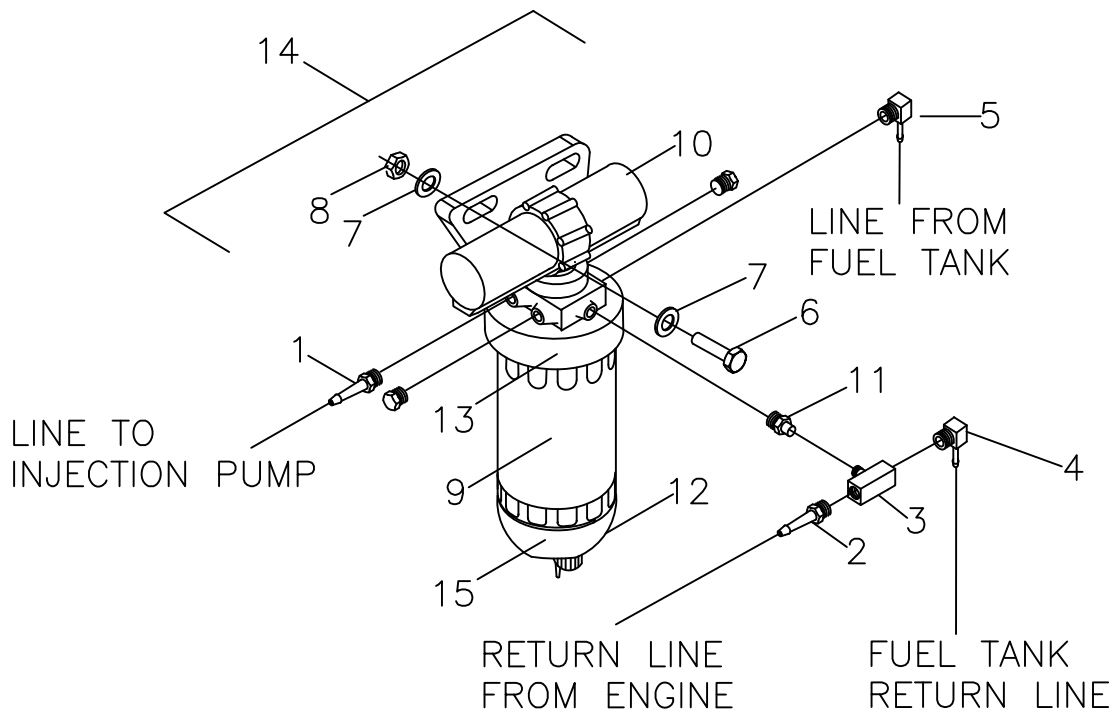


## FUEL TANK ASSEMBLY

ITEM NO.	PART NO.	DESCRIPTION	QTY	REMARKS
1	12275	P385 FUEL TANK, 23 GALLON	1	
2	C3046608	FUEL TANK STRAINER	1	
3	C2761243	VENTED DIESEL FUEL CAP	1	
4	14682	13 1/4" FUEL LEVEL SENDER w/DEUTSCH RECEPTACLE	1	
5	11607	FITTING - 6ORB/ 3/8" TUBE, BEADED	2	
6	3769	BOLT 3/8-16 x 1 1/4 ZY	4	
7	70918266	WASHER 3/8 ZY	4	
8	7286	SCREW #10-24 x 3/4 PANHEAD PHILLIPS	4	
9	3779	WASHER #10 Z	8	
10	3753	LOCK NUT 10-24 NYLOCK Z	4	
11	13471	HOSE ROLLER GUIDE	1	
12	C2462641	CAT PADLOCK w/KEY	1	

GROUP:13426

# FUEL PUMP ASSEMBLY

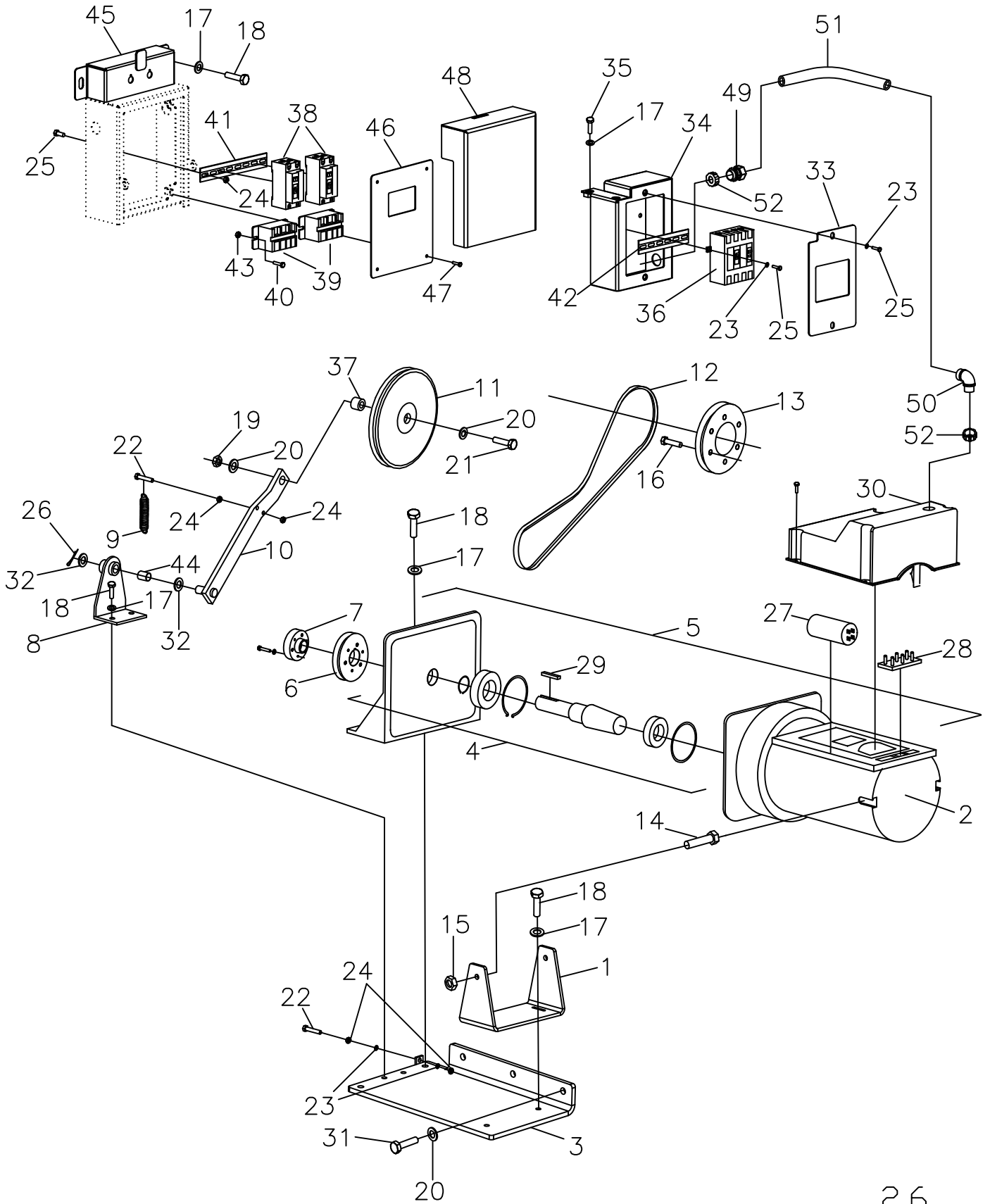


## FUEL PUMP ASSEMBLY

ITEM NO.	PART NO.	DESCRIPTION	QTY	REMARKS
1	12200	FITTING - 5 ORB x 5/16 BEADED TUBE	1	
2	70927605	FITTING 1/8MNPT x 5/16 HOSE	1	
3	13277	FITTING - 1/8 NPT BRANCH TEE, BRASS	1	
4	12199	FITTING - 5/16 X 1/8 NPT 90 BRASS	1	
5	6919	FITTING 5ORB x 5/16 90 DEG HOSE BARB	1	
6	70922605	BOLT 3/8-16 x 1 1/4 GR8 ZY	2	
7	70918266	WASHER 3/8 ZY	4	
8	3756	LOCK NUT 3/8-16 TOPLOCK ZY	2	
9	C2339856	FILTER AS-WATER SEP & FUEL	1	
10	C3000724	PUMP GP-FUEL PRM & PRIM FILTER	1	
11	C2289132	FITTING	1	
12	C1129401	BOWL AS-WATER COLLECTION	1	
13	C1188118	RING-RETAINING	1	
14	C2325877	FUEL PUMP GROUP-FUEL PRM & PRIM FILTER	1	INCLUDES ITEMS 9-13 & 15
15	C1288614	KIT-SEAL (WATER SEPARATOR)	1	

GROUP:13416

# GENERATOR ASSEMBLY

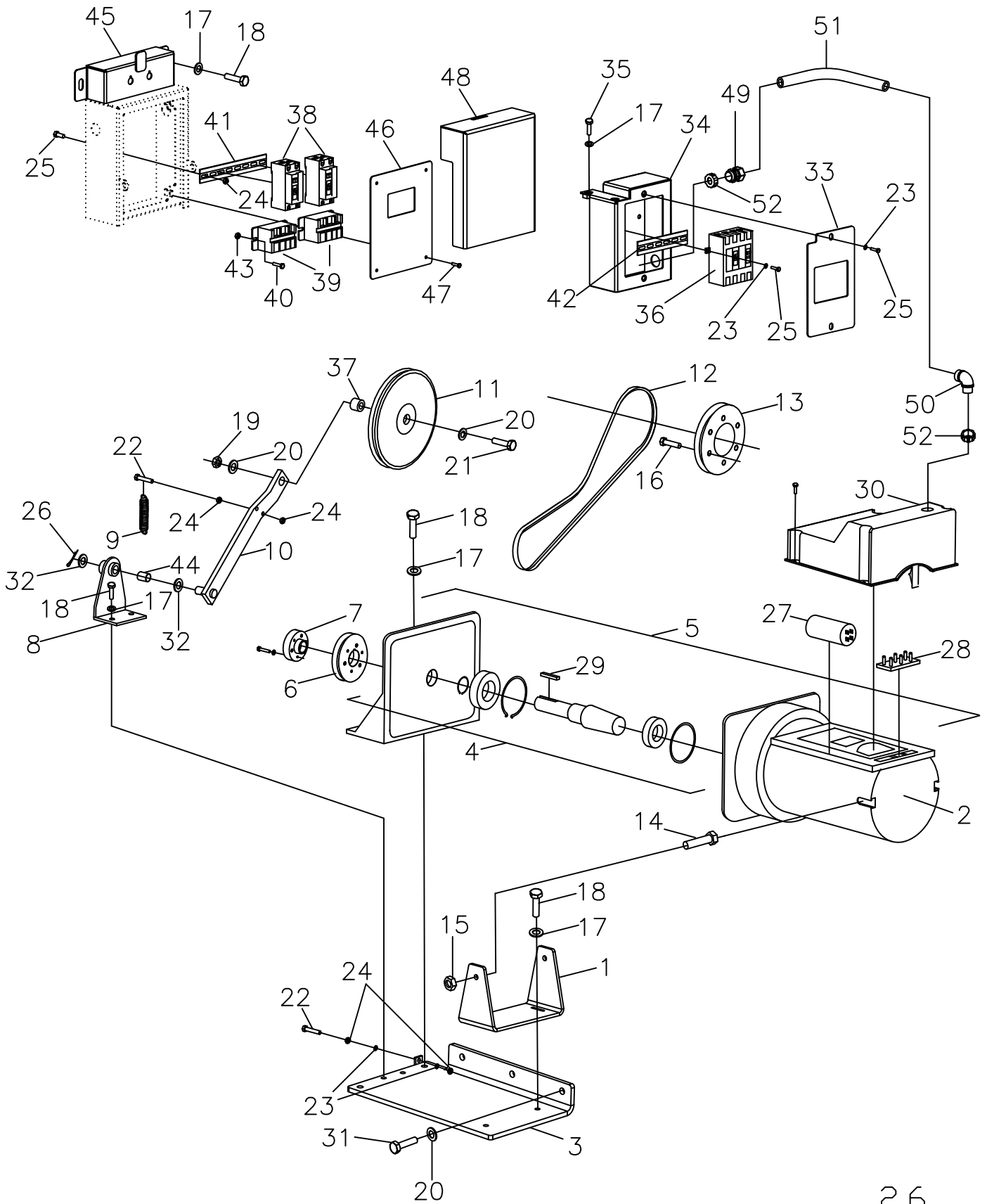


## GENERATOR ASSEMBLY

ITEM NO.	PART NO.	DESCRIPTION	QTY	REMARKS
1	9136	GENERATOR MOUNT BRACKET	1	SERIAL NUMBER 1001-1185
	21043	GENERATOR BRACKET	1	SERIAL NUMBER 1186 & UP
2	8386C6	9kw GENERATOR w/o SHAFT KIT	1	
3	13593	GENERATOR MOUNT W/A	1	SERIAL NUMBER 1001-1185
	21046	GENERATOR MOUNT W/A	1	SERIAL NUMBER 1186 & UP
4	8386C3	GENERATOR INPUT SHAFT/HOUSING/BEARING FIELD KIT	1	
5	8386	9kw GENERATOR AY	1	SERIAL NUMBER 1001-1185
	21587	10kw GENERATOR AY w/P2 CAPACITOR BREAKDOWN PAGE 2.7	1	SERIAL NUMBER 1186 & UP
6	13527	PULLEY - 4.8" PD, "B" GROOVE, SDS	1	
7	13552	QD BUSHING, 28mm, SDS	1	HARDWARE INCLUDED
8	18216	BRACKET W/A	1	
9	15504	SPRING 1.62 x 5.75" EXT	1	
10	18212	IDLER ARM W/A	1	
11	14568	IDLER PULLEY, 6"OD x 1", FLAT	1	
12	13511	V - BELT	1	
13	13526	GENERATOR DRIVE PULLEY	1	
14	5218	BOLT M10-1.5 x 25 ZY	2	
15	11701721	NUT M10-1.5 ZY	2	
16	15970731	BOLT M10-1.25 x 25 ZY	6	
17	70918266	WASHER 3/8 ZY	10	
18	70923490	BOLT 3/8-16 x 1 GR8 ZY	8	
19	3757	LOCK NUT 1/2-13 GRC TOPLOCK ZY	1	
20	3784	WASHER 1/2 HARD ZY	6	
21	70927469	BOLT 1/2-13 x 2 1/4 GR8 ZY	1	
22	4110	BOLT 1/4-20 x 1 1/2 Z	2	
23	70918264	WASHER 1/4 ZY	6	
24	14654	LOCK NUT 1/4-20 CNTRLK ZY	6	
25	70928182	BOLT 1/4-20 x 1/2 Z	4	
26	70900808	COTTER PIN 1/8 x 1 1/2	1	
27	8386C4	GENERATOR CAPACITOR KIT	1	
28	8386C5	GENERATOR TERMINAL BLOCK	1	
29	8386C1	KEY 8MM x 50MM	1	
30	15508	P385 MODIFIED GENERATOR COVER	1	SERIAL NUMBER 1001-1185
	21921	P385 MODIFIED 10kw GENERATOR COVER	1	SERIAL NUMBER 1186 & UP
31	70923154	BOLT 1/2-13 x 1 1/2 GR8 ZY	3	
32	4493	WASHER .75 1.5 .125th PVC	2	
33	20372	CIRCUIT BREAKER COVER	1	
34	20371	GENERATOR CIRCUIT BREAKER BOX W/A	1	
35	70923484	BOLT 3/8-16 x 3/4 GR8 ZY	2	
36	13793	20A CIRCUIT BREAKER, 240V, TYPE QOU, 2 POLE, TERMINAL SCREWS	2	
37	13099	SHOULDER ADAPTER	1	
38	13463	25A, 30MA GFP CIRCUIT BREAKER, 240V, 2 POLE	2	
39	13399	30A RELAY, 12V, 240V CONTACTS	2	
40	70917441	SCREW #8-32 x 1/2 RD HD ZC	4	

GROUP:13431

# GENERATOR ASSEMBLY



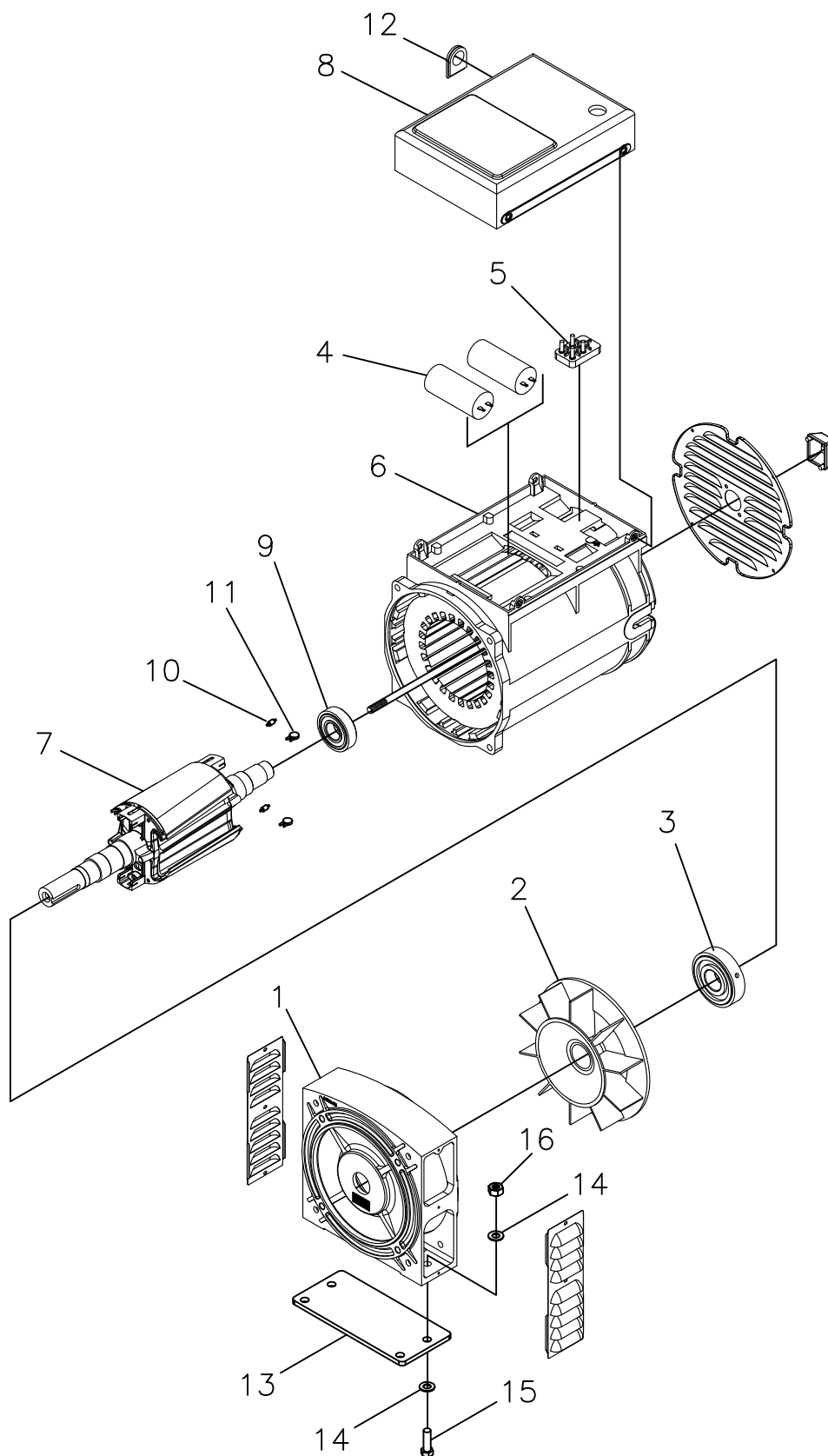


## GENERATOR ASSEMBLY

ITEM NO.	PART NO.	DESCRIPTION	QTY	REMARKS
41	9384C7	DIN RAIL 7"	2	
42	9384C5	DIN RAIL 5"	1	
43	9607	NUT #8-32 Z	4	
44	18282	OILITE BUSHING 3/4 1.0 3/4 LONG SAE 863	1	
45	14512	SWITCH BOX W/A	1	
46	13687	HIGH VOLTAGE COVER	1	
47	7286	SCREW #10-24 x 3/4 PANHEAD PHILLIPS	4	
48	13604	VANDAL COVER	1	
49	13594	3/8" SEALTITE CONNECTOR	1	SERIAL NUMBER 1001-1185
	13595	3/8" SEALTITE CONNECTOR, 90	1	SERIAL NUMBER 1186 & UP
50	13595	3/8" SEALTITE CONNECTOR, 90	1	
51	13596	3/8" SEALTITE FLEXIBLE CONDUIT	1	FEET
52	9519	1/2" CONDUIT BUSHING / WIRE PROTECTOR	2	

GROUP:13431

# GENERATOR BREAKDOWN SERIAL NUMBER 1186 & UP

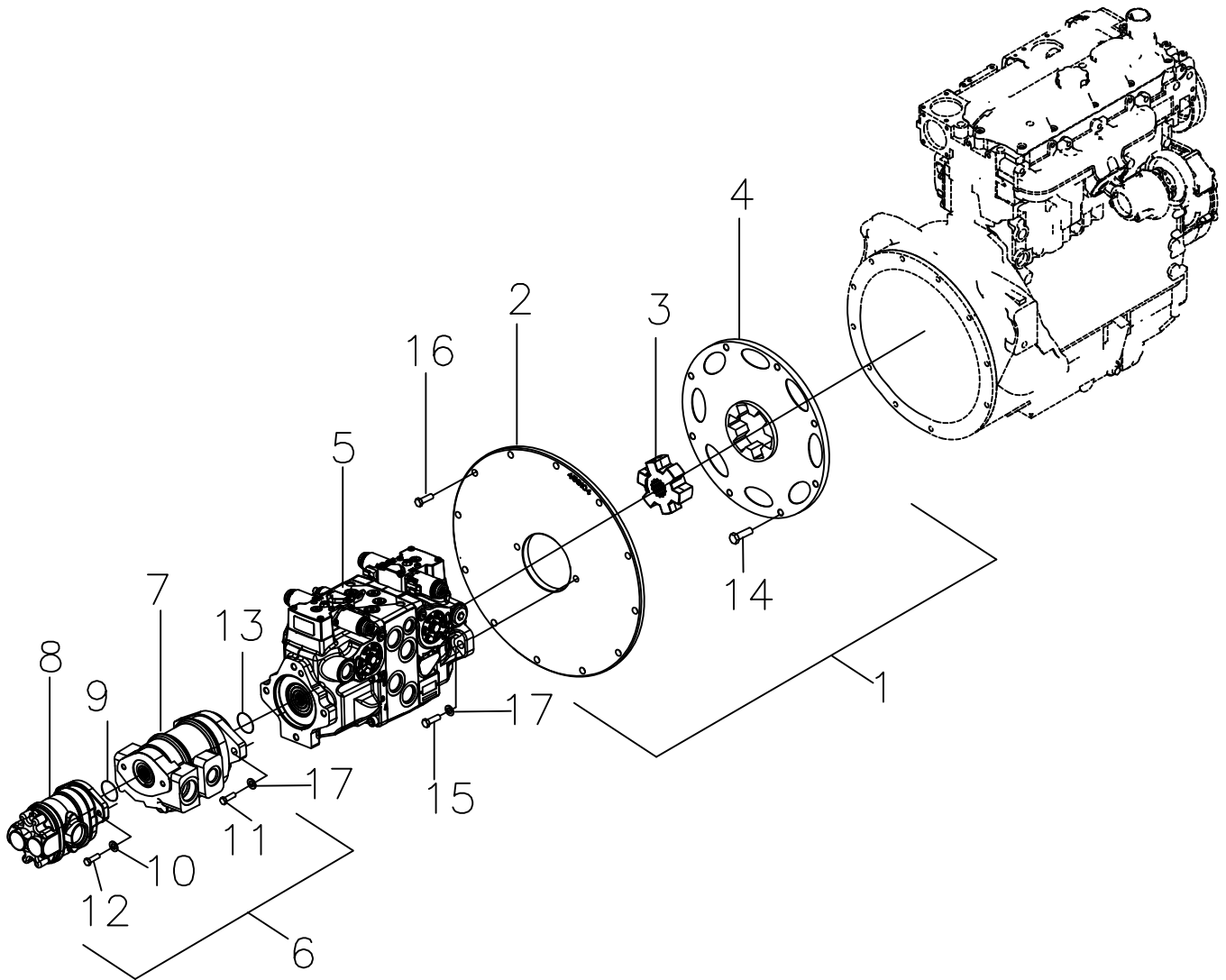


## GENERATOR BREAKDOWN SERIAL NUMBER 1186 & UP

ITEM NO.	PART NO.	DESCRIPTION	QTY	REMARKS
1	21587C1	DRIVE END BRACKET	1	
2	21587C2	FAN	1	
3	21587C3	6306.2RS BALL BEARING	1	
4	21587C4	31.5MF P2 CAPACITOR	2	
5	21587C5	4 STUD T.BOARD	1	
6	21587C6	STATOR & FRAME ASSY.	1	
7	21587C7	ROTOR ASSY. B34	1	
8	21921	P385 MODIFIED 10kw GENERATOR COVER	1	
9	21587C9	6205.2RS BALL BEARING	1	
10	21587C10	DIODES	1	
11	21587C11	VARISTOR	1	
12	21587C12	RUBBER GROMMET FOR T.BOX	1	
13	21044	GENERATOR SPACER	1	NOT INCLUDED WITH 21587
14	70918266	WASHER 3/8 ZY	4	NOT INCLUDED WITH 21587
15	70922605	BOLT 3/8-16 x 1 1/4 GR8 ZY	2	NOT INCLUDED WITH 21587
16	3756	LOCK NUT 3/8-16 GRB CENTER LOCK ZY	2	NOT INCLUDED WITH 21587

GROUP:21587

# HYDROSTAT AND PUMPS

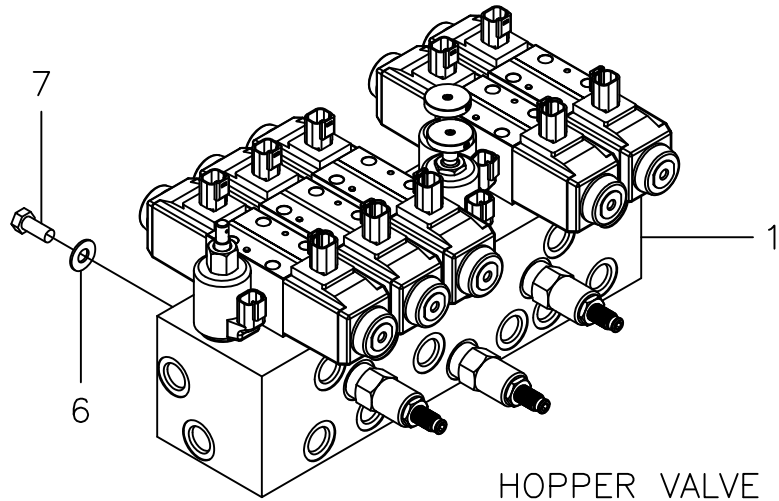


## HYDROSTAT AND PUMPS

ITEM NO.	PART NO.	DESCRIPTION	QTY	REMARKS
1	11420	COUPLING ASSY - SAE 10", 14T, SAE B 2BOLT	1	INCLUDES ITEMS 2-4
2	11420C1	PUMP MNT PLATE, SAE 4 HSG, 2 BOLT "B" PAD	1	
3	11421	HUB - COUPLING, 14 TOOTH	1	25 FT-LBS
4	11422	COUPLING PLATE - SAE 10" CLUTCH	1	
5	18648	H1 PUMP, TANDEM 45CC	1	
6	11780	GEAR PUMP STACK - 4 SECTON	1	INCLUDES ITEMS 7-10 & 12
7	11780C1	GEAR PUMP ASSEMBLY	1	
8	11780C2	GEAR PUMP ASSEMBLY	1	
9	11780C3	O-RING	1	
10	3784	WASHER 1/2 HARD ZY	2	
11	6792	BOLT M12-1.75 x 40 GR8.8 ZY	2	RED LOCKTITE, 80 FT-LBS
12	70922605	BOLT 3/8-16 x 1 1/4 GR8 ZY	2	
13	10379	O-RING 3.989ID x .103TH - "B" PAD	1	PLACE INSIDE ITEM 5
14	11106431	BOLT M10-1.5 x 30 Z	8	RED LOCKTITE, 42 FT-LBS
15	70923154	BOLT 1/2-13 x 1 1/2 GR8 ZY	2	RED LOCKTITE, 120 FT-LBS
16	5218	BOLT M10-1.50 x 25	12	RED LOCKTITE, 42 FT-LBS
17	3784	WASHER 1/2 HARD ZY	4	

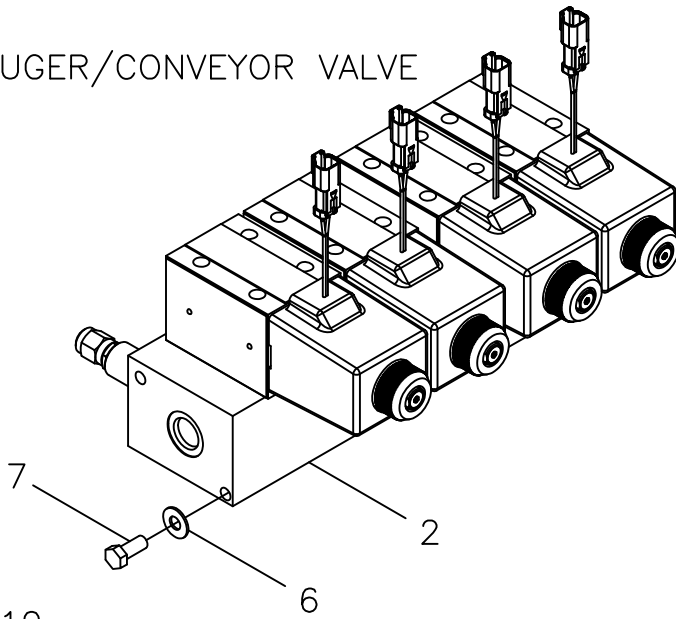
GROUP:13418

# VALVES

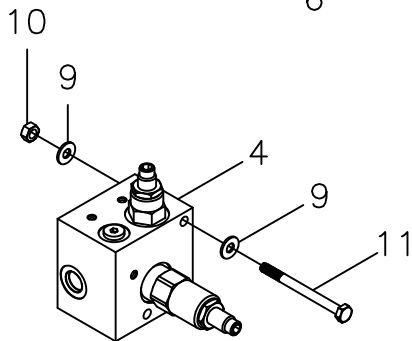
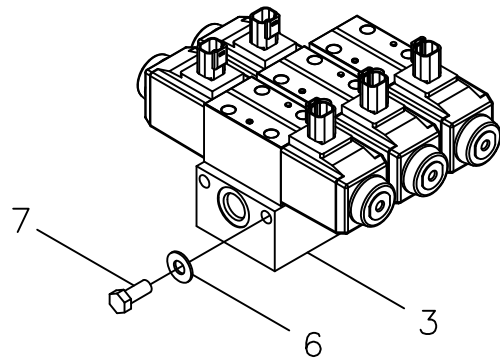


HOPPER VALVE

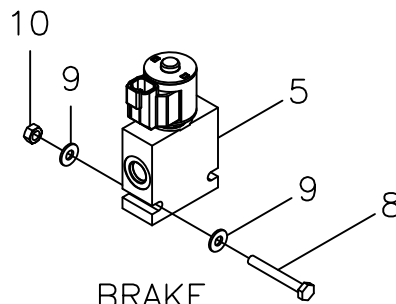
AUGER/CONVEYOR VALVE



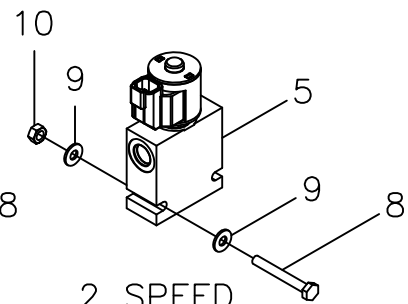
VIBRATOR VALVE



TRACK TENSION VALVE



BRAKE VALVE



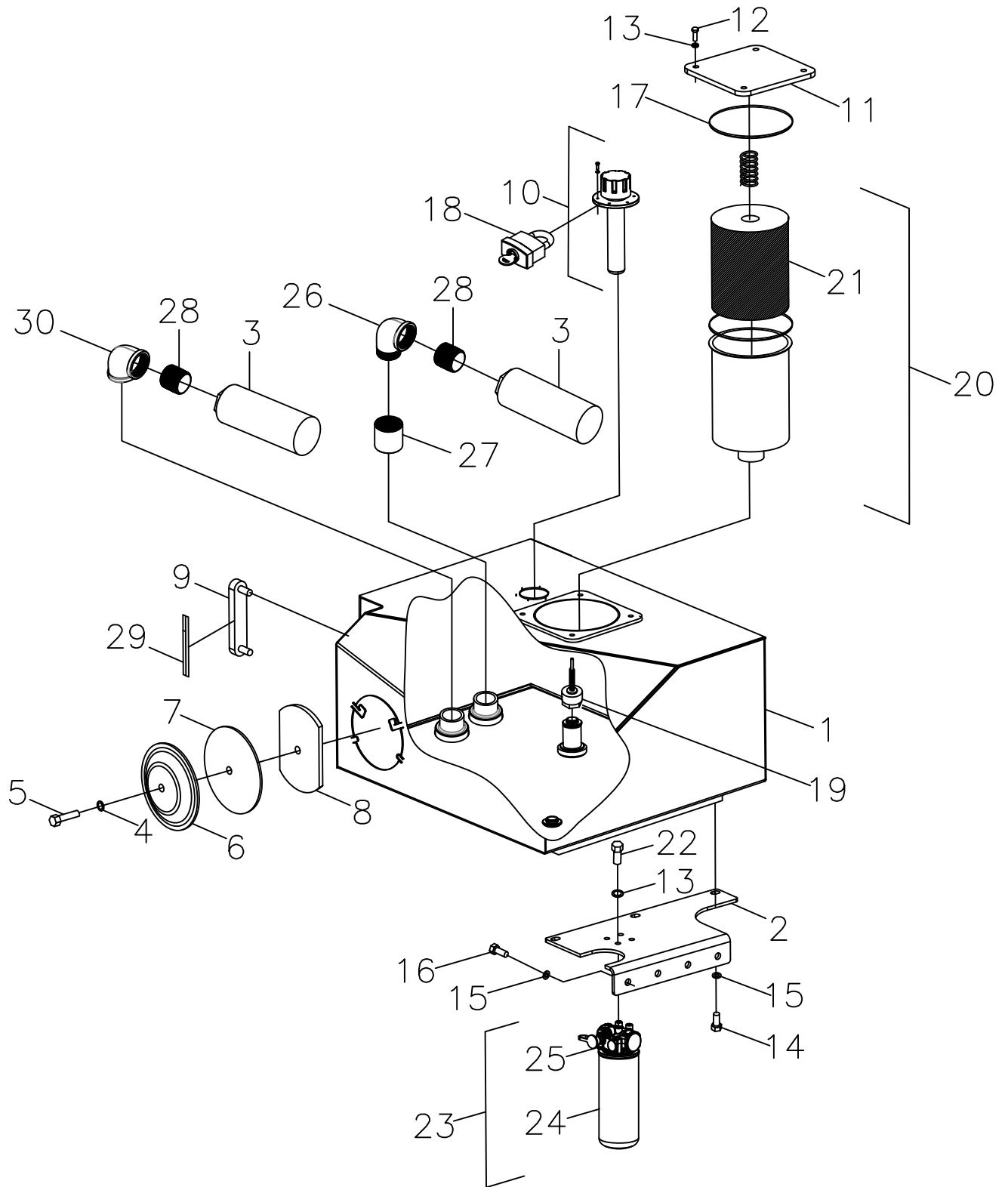
2 SPEED VALVE

## VALVES

ITEM NO.	PART NO.	DESCRIPTION	QTY	REMARKS
1	16675	HOPPER/SCREED/TOW VALVE - 6 SPOOL	1	BREAKDOWN PAGE 13.1
2	11778	AUGER/CONVEYOR VALVE - 4 SPOOL	1	BREAKDOWN PAGE 13.2
3	11775	VIBRATOR/SCREED VALVE - 3 SPOOL	1	BREAKDOWN PAGE 13.3
4	11966	TRACK TENSION VALVE AY	1	BREAKDOWN PAGE 13.4
5	12464	VALVE 3WAY, 4GPM, 12V	2	BREAKDOWN PAGE 13.5
6	70918266	WASHER 3/8 ZY	12	
7	70923485	BOLT 3/8-16 x 7/8 GR8 ZY	12	
8	3761	BOLT 1/4-20 x 2 ZY	4	
9	70918264	WASHER 1/4 ZY	12	
10	14654	LOCK NUT 1/4-20 CNTRLK ZY	6	
11	70931871	BOLT 1/4-20 x 3 GR8 ZC	2	

GROUP:13418

# HYDRAULIC TANK ASSEMBLY



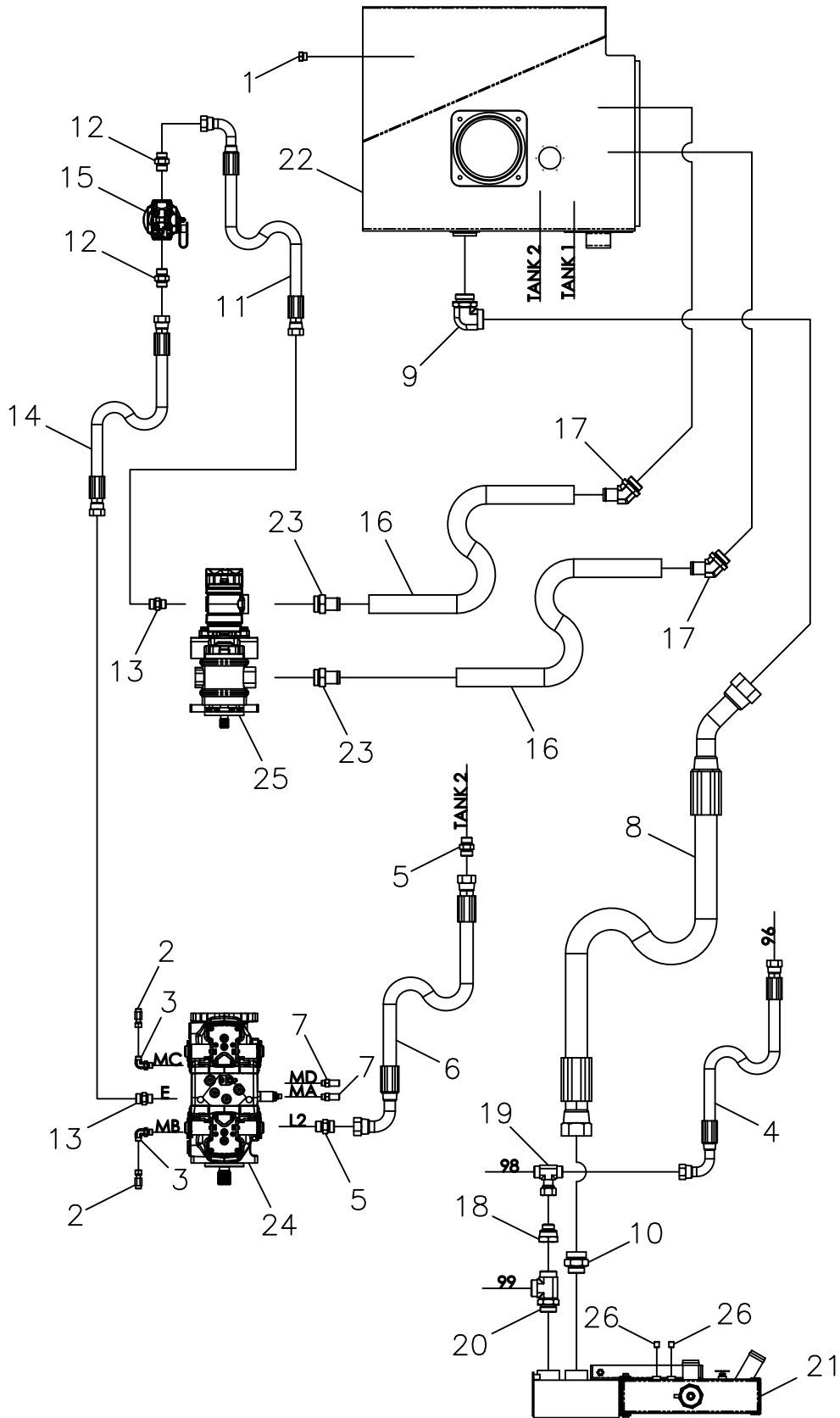


## HYDRAULIC TANK ASSEMBLY

ITEM NO.	PART NO.	DESCRIPTION	QTY	REMARKS
1	12270	P385 HYDRAULIC TANK W/A	1	
2	12292	TANK SUPPORT PLATE	1	
3	C810858	STRAINER 30GPM 1 1/2FNPT w/BYPASS	2	
4	6425	AS 111 O'RING NITRILE	1	
5	6423	12MM X 70MM FLANGE BOLT	1	
6	6420	CLEAN OUT COVER ASM METRIC	1	INCLUDES ITEMS 4,5,7 & 8
7	6424	8" GASKET BUNA N	1	
8	6422	8" STAMPED INNER COVER	1	
9	2758	SIGHT GAUGE	1	
10	1223	FILL NECK w/5psi RELIEF	1	INCLUDES HARDWARE
11	4232	COVER	1	
12	70923485	BOLT 3/8-16 x 7/8 GR8 ZY	4	
13	4091	WASHER 3/8 HARD ZY	8	
14	70923493	BOLT 1/2-13 x 1.12 GR8 ZY	6	
15	3784	WASHER 1/2 HARD ZY	10	
16	70926115	BOLT 1/2-13 x 3/4 ZY	4	
17	70926821	O-RING 6.725IDx.265th BUNA	1	
18	C2462641	CAT PADLOCK w/KEY	1	
19	7367	PRESSURE INDUCING VALVE, 40 PSI	1	
20	15760	P385 IN-TANK RETURN FILTER ASM	1	INCLUDES ITEM 21
21	7652	RETURN FILTER ELEMENT, 70 GPM	1	
22	5218	BOLT M10-1.50 x 25	4	
23	C1967614	CHARGE FILTER AY	1	INCLUDES ITEMS 24 & 25
24	C1G8878	OIL FILTER, CHARGE PUMP, 9.5"	1	
25	C1340404	SWITCH AS-PRESSURE (HYD OIL)	1	
26	19950	FITTING 1 1/2" NPT STREET 90 BLK	1	
27	19951	FITTING 1 1/2" NPT COUPLING BLK	1	
28	19952	FITTING 1 1/2" NPT CLOSE NIPPLE	2	
29	20039	DECAL - HYDRAULIC TANK LEVEL	1	ON SIDE OF ITEM 9
30	20129	FITTING 1 1/2" NPT 90 ELBOW F/F BLK	1	

GROUP:13427

# SUPPLY HOSE DIAGRAM

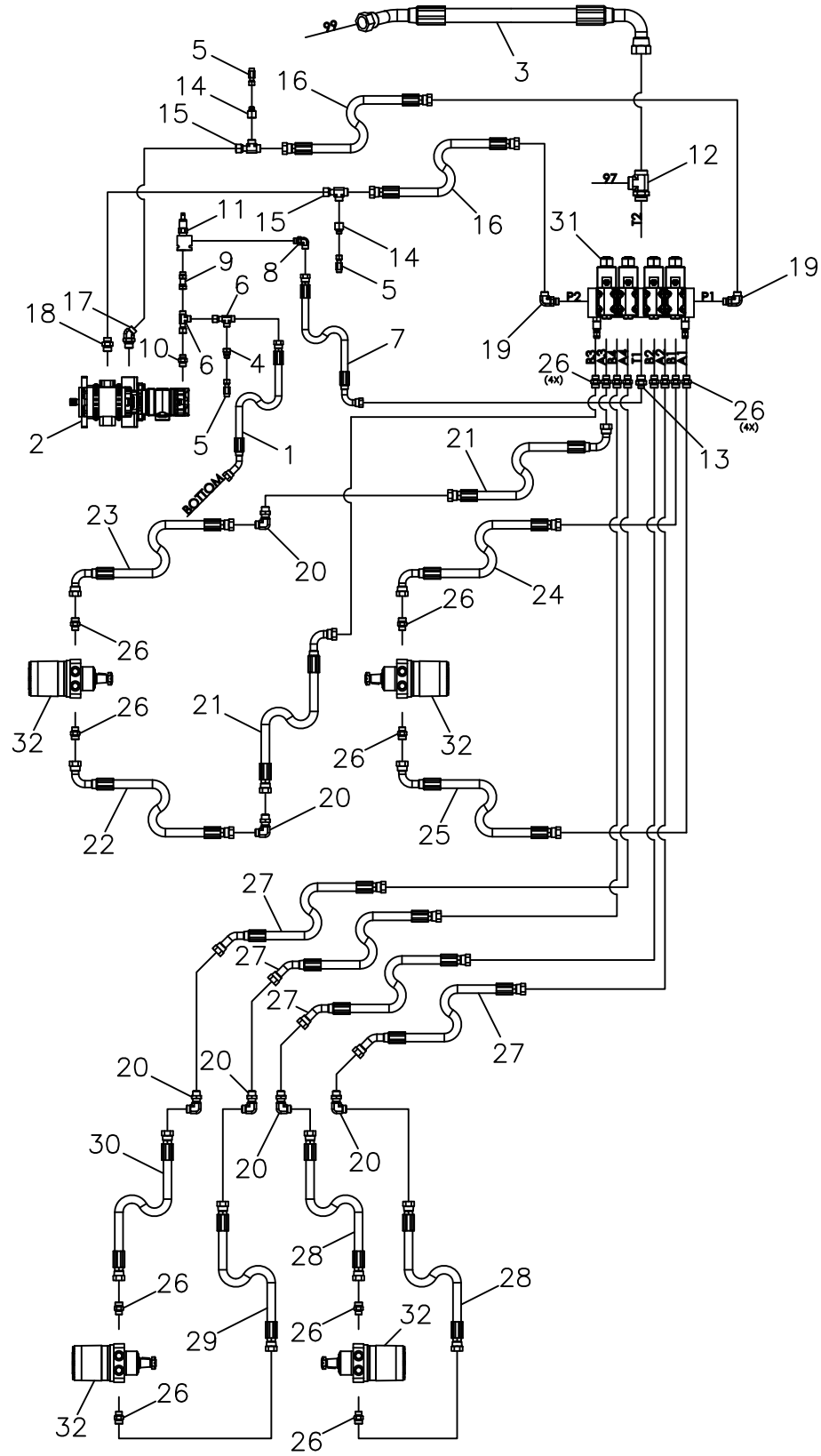


## SUPPLY HOSE DIAGRAM

ITEM NO.	PART NO.	DESCRIPTION	QTY	REMARKS
1	70927547	PLUG 8ORB	1	
2	6507	TEST PORT 4ORS	2	
3	3133	FITTING, 6 MORB X 4 ORFS 90	2	
4	3147	HOSE - 5/8 x 26 - 12 ORS 90 DEG / 8 ORS 1500 psl	1	
5	5192	FITTING 12ORBx12ORS ST	2	
6	14112	HOSE - 3/4 x 14 - 12 ORS / 12 ORS 90 RETURN LINE	1	
7	3201	DIAGNOSTIC NIPPLE - 6ORB	2	
8	14626	HOSE - 1 1/2 x 52 - 24 ORS / 24 ORS 45 RETURN	1	
9	9363	FITTING - 24 ORS/24 ORB 90	1	
10	9362	FITTING - 24 ORS/20 ORB	1	
11	14106	HOSE 5/8 x 15 - 10 ORS / 10 ORS 90 R17 (3000 PSI)	1	
12	3131	FITTING, 12 MORB X 10 ORFS	2	
13	3102	FITTING, 10 MORB X 10 ORFS	2	
14	14109	HOSE - 5/8 x 23 - 10 ORS / 10 ORS	1	
15	C1967614	CHARGE FILTER AY	1	
16	4680	HOSE - 1 1/4" ID SUCTION HOSE	2	
17	12658	FITTING - 20 ORB X 1 1/4 HOSE BARB 45 DEG	2	
18	3114	FITTING, 20 ORFS S X 12 ORFS REDUCER	1	
19	10425	FITTING - 12 ORS SWIVEL NUT BRANCH TEE	1	
20	6519	FITTING - 20ORS/20ORS/20ORB RUN T	1	
21	11388	RADIATOR ASSY - C3.4 ENGINE	1	
22	12270	P385 HYDRAULIC TANK W/A	1	
23	14110	FITTING - 20ORB/ 1 1/4" TUBE, BEADED	2	
24	18648	H1 PUMP, TANDEM 45CC	1	
25	11780	GEAR PUMP STACK - 4 SECTON	1	
26	7348	FITTING - 1/4" NPT PLUG, SOCKET HEAD	2	

GROUP:11160

# CONVEYOR & AUGER HOSE DIAGRAM

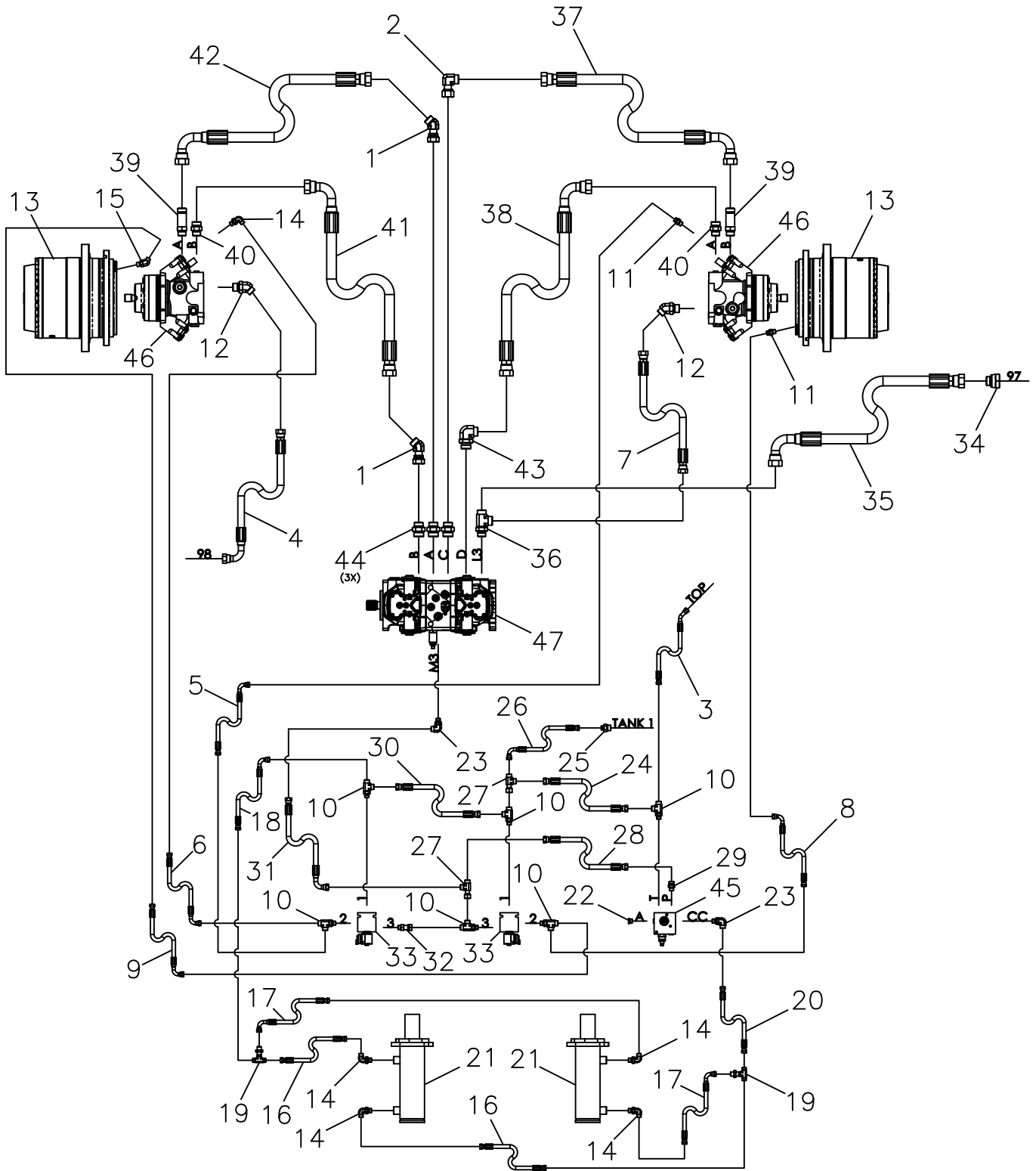


## CONVEYOR & AUGER HOSE DIAGRAM

ITEM NO.	PART NO.	DESCRIPTION	QTY	REMARKS
1	11763	HOSE - 1/2 x 60 - 8 ORS / 8 ORS 45 R17	1	
2	11780	GEAR PUMP STACK - 4 SECTON	1	
3	14121	HOSE - 1 1/4 x 60 - 20 ORS 90 / 20 ORS 45 285 DEG	1	
4	9640	FITTING - 8ORFS/6ORFS REDUCER	1	
5	7029	TEST PORT - 6ORS SWIVEL	3	
6	4672	FITTING 8ORS SWIVEL NUT RUN TEE	2	
7	14931	HOSE - 1/2 X 19 - 8 ORS / 8 ORS 90 R17	1	
8	3098	FITTING, 8 MORB X 8 ORFS, 90	1	
9	4670	FITTING 8 ORB/8ORS(SWIVEL)	1	
10	3109	FITTING, 10 MORB X 8 ORFS	1	
11	14310	RELIEF VALVE - 3000 PSI, ADJUSTABLE	1	
12	6519	FITTING - 20ORS/20ORS/20ORB RUN T	1	
13	3120	FITTING, 12 MORB X 8 ORFS	1	
14	6512	FITTING - REDUCER - 6 MORS x 10 FORS	2	
15	3556	FITTING - 10 ORS RUN TEE	2	
16	14119	HOSE - 5/8 x 24 - 10 ORS / 10 ORS 24 R17	2	
17	14140	FITTING - 10 ORS / 12 ORB 45	1	
18	3131	FITTING, 12 MORB X 10 ORFS	1	
19	7336	FITTING - 10 ORS / 10 ORB 90	2	
20	7263	FITTING - 10ORS BULKHD 90	6	
21	14132	HOSE - 5/8 X 63 -10 ORS 90 LONG / 10 ORS	2	
22	14135	HOSE - 5/8 x 33 - 10 ORS 90 LONG / 10 ORS R17	1	
23	14134	HOSE - 5/8 x 30 - 10 ORS 90 LONG / 10 ORS R17	1	
24	3617	HOSE - 5/8 x 24 - 10 ORS / 10 ORS 90 3000 PSI	1	
25	14122	HOSE - 5/8 x 26 - 10 ORS 90 / 10 ORS R17	1	
26	3102	FITTING, 10 MORB X 10 ORFS	16	
27	14127	HOSE - 5/8 x 38 - 10 ORS / 10 ORS 45 R17	4	
28	14130	HOSE - 5/8 x 32 - 10 ORS / 10 ORS	2	
29	14125	HOSE - 5/8 x 36.5 - 10 ORS / 10 ORS R17	1	
30	14124	HOSE - 5/8 x 35.5 - 10 ORS / 10 ORS R17	1	
31	11778	AUGER/CONVEYOR VALVE - 4 SPOOL	1	BREAKDOWN PAGE 13.2
32	12209	HYDRAULIC MOTOR - 33.1 CID	4	
	22154	SEAL KIT - 33.1 CID MOTOR	AR	

GROUP:11160

# TRACK HOSE DIAGRAM

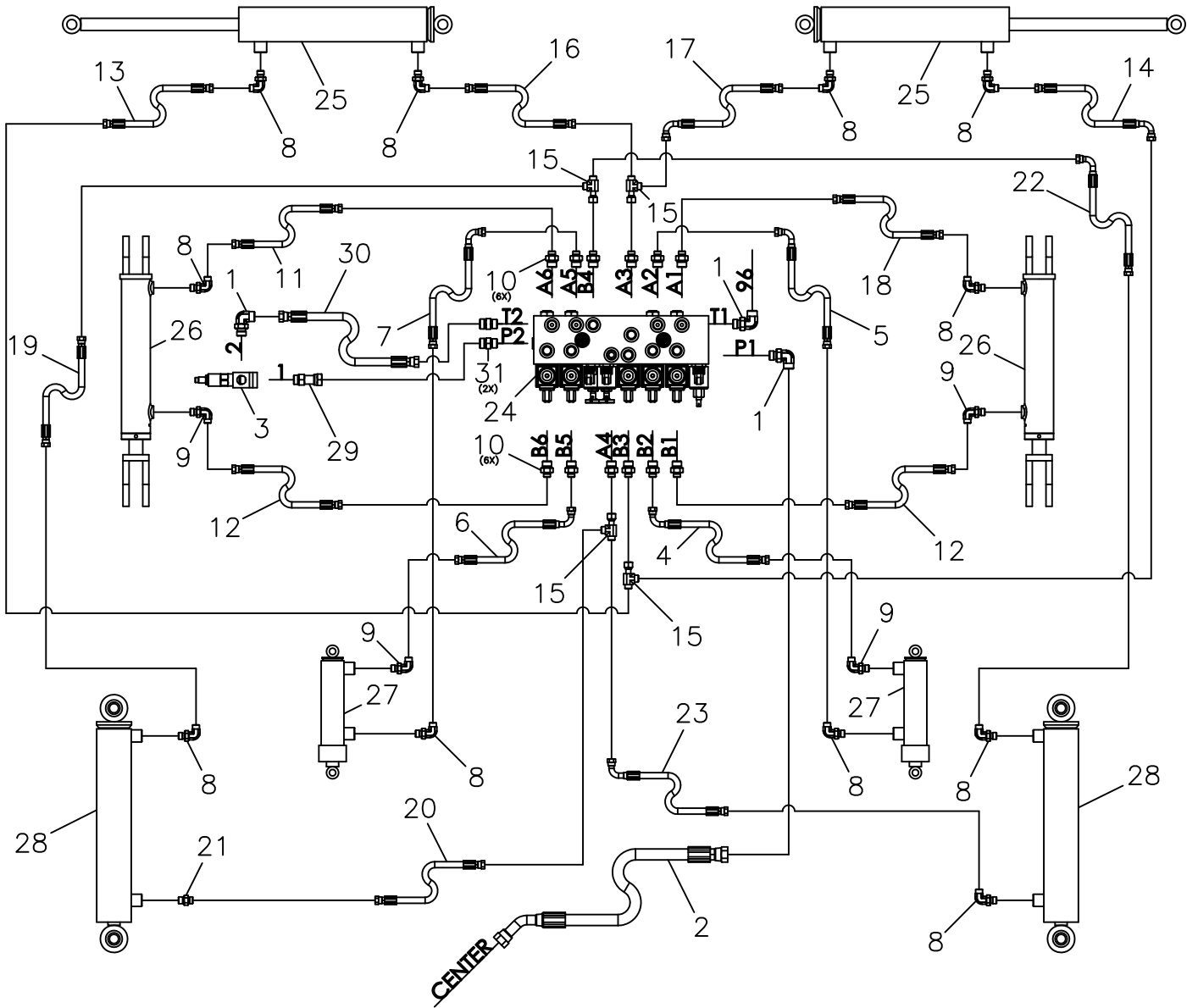


## TRACK HOSE DIAGRAM

ITEM NO.	PART NO.	DESCRIPTION	QTY	REMARKS
1	12337	FITTING 12 ORS/12 ORS SWIVEL NUT 45	2	
2	6518	FITTING - 12 ORS/12 ORS SWIVEL 90	1	
3	14621	HOSE - 1/4 x 56 - 4 ORS / 4 ORS R17 w/SLEEVE	1	
4	14117	HOSE - 1/2 x 35.5 - 8 ORS / 12 ORS 90 R17	1	
5	14116	HOSE - 1/4 x 42 - 6 ORS / 4 ORS 90 R17	1	
6	14115	HOSE - 1/4 x 99 - 4 ORS / 6 ORS 90 R17	1	
7	14118	HOSE - 1/2 x 31 - 8 ORS / 12 ORS R17	1	
8	14114	HOSE - 1/4 x 72 - 6 ORS / 4 ORS 90 R17	1	
9	14113	HOSE - 1/4 x 125 - 6 ORS 90 / 4 ORS R17	1	
10	6504	FITTING 6ORS/6ORS/6ORB RUN T	6	
11	3104	FITTING, 6 MORB X 4 ORFS	2	
12	14595	FITTING - 12ORB/8ORS 45 DEGREE	2	
13	12396	P385 PLANETARY	2	
14	3133	FITTING, 6 MORB X 4 ORFS 90	5	
15	9351	FITTING - 4ORS/6ORB 45 DEGREE	1	
16	14603	HOSE - 1/4 x 125 - 4 ORS / 4 ORS R17	2	
17	9006	HOSE - 1/4 x 77 - 4 ORS / 4 ORS 90	2	
18	14602	HOSE - 1/4 x 23.5 - 6 ORS 90 / 4 ORS R17	1	
19	14578	FITTING - 4ORS BULKHD BRANCH T	2	
20	14601	HOSE - 1/4 x 43 - 6 ORS / 4 ORS	1	
21	12465	TRACK TENSION CYLINDER 3x5	2	
	73161988	SEAL KIT - 3" BORE, 2" ROD	AR	
22	3177	PLUG #6ORB	1	
23	4584	FITTING 6ORSx6ORB 90DEG	2	
24	73158129	HOSE - 3/8 x 17.5 - 6 ORS ST/ST	1	
25	3111	FITTING, 8 MORB X 4 ORFS	1	
26	14627	HOSE - 1/4 x 16 - 6 ORS 90 / 4 ORS R17	1	
27	3125	FITTING, 6 ORS SWIVEL NUT RUN TEE	2	
28	14123	HOSE - 3/8 x 24 - 6 ORS / 6 ORS R17	1	
29	73156780	FITTING 6MORS/6MORB	1	
30	7139	HOSE - 3/8 x 15 - 6 ORS / 6 ORS	1	
31	14120	HOSE - 3/8 x 20 - 6 ORS / 6 ORS 90 R17	1	
32	7066	FITTING, 6 ORS FM X 06 ORB STR	1	
33	12464	VALVE 3WAY, 4GPM, 12V	2	BREAKDOWN PAGE 13.5
34	3114	FITTING, 20 ORFS S X 12 ORFS REDUCER	1	
35	11315	HOSE - 3/4 x 23 - 12 ORS 90 / 12 ORS R17	1	
36	6497	FITTING - 12ORS/12ORS/12ORB RUN T	1	
37	17564	HOSE - 3/4 x 33.50 - 12 ORS / 12 ORS 90 5000 PSI	1	
38	17563	HOSE - 3/4 x 26.75 - 12 ORS / 12 ORS 90 5000 PSI	1	
39	13670	FITTING 12ORBx12ORS ST LONG	2	
40	5192	FITTING 12ORBx12ORS ST	2	
41	14103	HOSE - 3/4 x 76 - 12 ORS / 12 ORS 90, 5000 PSI	1	
42	14102	HOSE - 3/4 x 79 - 12 ORS / 12 ORS 90, 5000 PSI	1	
43	3107	FITTING, 16 MORB X 12 ORFS, 90	1	
44	3126	FITTING, 16 MORB X 12 ORFS	3	
45	11966	TRACK TENSION VALVE AY	1	BREAKDOWN PAGE 13.4
46	C1837529	MOTOR MMC46	2	
47	18648	H1 PUMP, TANDEM 45CC	1	

GROUP:11160

# LIFT HOSE DIAGRAM



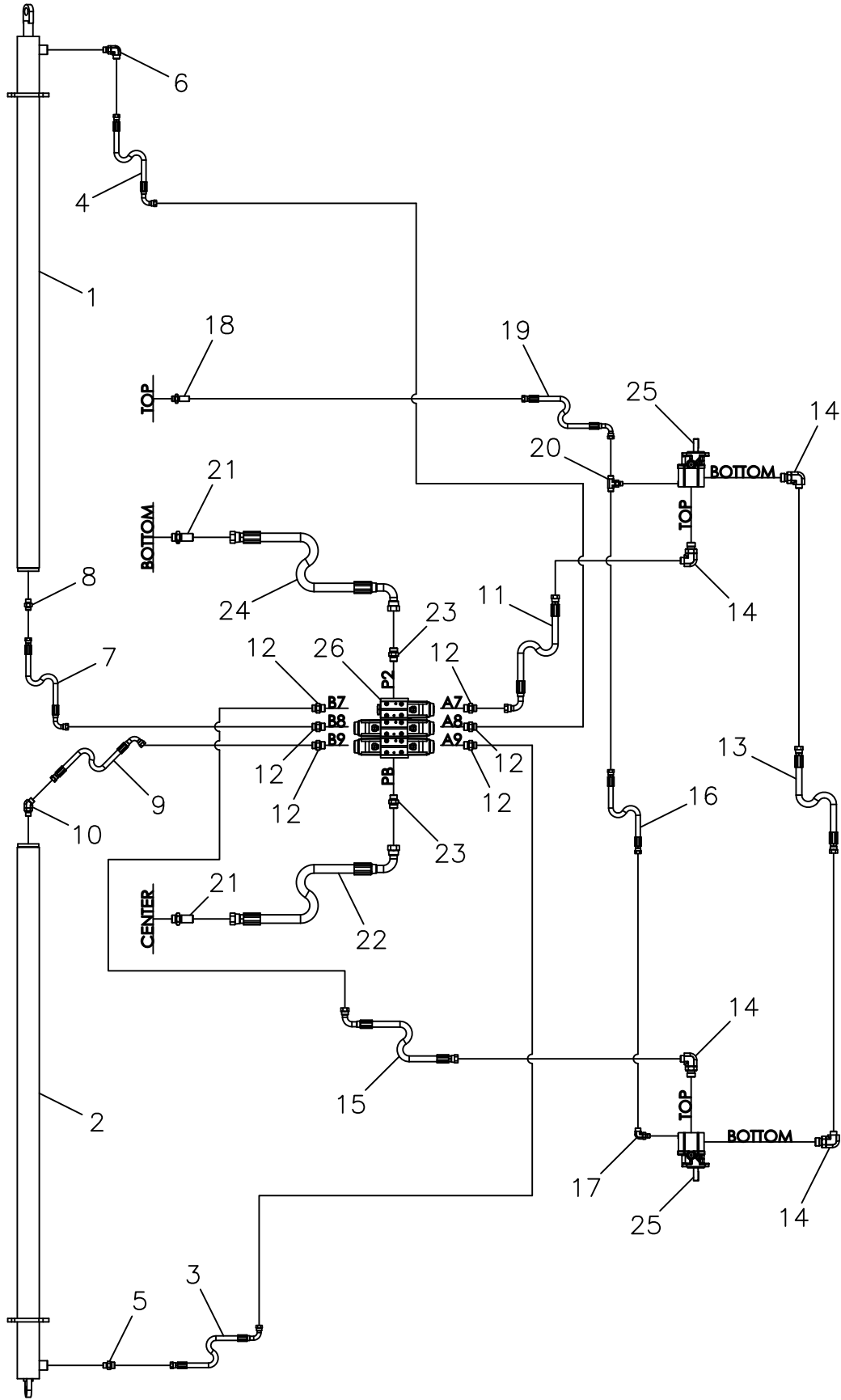


## LIFT HOSE DIAGRAM

ITEM NO.	PART NO.	DESCRIPTION	QTY	REMARKS
1	3098	FITTING, 8 MORB X 8 ORFS, 90	3	
2	14625	HOSE - 1/2 x 90 - 8 ORS 45 / 8 ORS R17 w/SLEEVE	1	
3	14310	RELIEF VALVE - 3000 PSI, ADJUSTABLE	1	
4	14618	HOSE - 1/4 x 62 - 4 ORS 90 / 4 ORS R17	1	
5	6374	HOSE - 1/4 x 64 - 4 ORS / 4 ORS 90	1	
6	14617	HOSE - 1/4 x 52 - 4 ORS 90 / 4 ORS R17	1	
7	14616	HOSE - 1/4 x 58 - 4 ORS 90 / 4 ORS R17	1	
8	3133	FITTING, 6 MORB X 4 ORFS 90	11	
9	13765	FITTING - 6 ORBX 4 ORS 90 w/ .03 ORFICE	4	
10	3111	FITTING, 8 MORB X 4 ORFS	12	
11	14613	HOSE - 1/4 x 66 - 4 ORS / 4 ORS R17	1	
12	14609	HOSE - 1/4 x 74 - 4 ORS / 4 ORS R17	2	
13	14615	HOSE - 1/4 x 53 - 4 ORS / 4 ORS R17	1	
14	14610	HOSE - 1/4 x 51 - 4 ORS 90 / 4 ORS R17	1	
15	3561	FITTING - 4 ORS SWIVEL NUT RUN TEE	4	
16	14614	HOSE - 1/4 x 43 - 4 ORS / 4 ORS R17	1	
17	11908	HOSE - 1/4 x 41.5 - 4 ORS / 4 ORS 90	1	
18	14608	HOSE - 1/4 x 65 - 4 ORS / 4 ORS R17	1	
19	14611	HOSE - 1/4 x 114 - 4 ORS / 4 ORS R17	1	
20	14612	HOSE - 1/4 x 102 - 4 ORS / 4 ORS R17	1	
21	3104	FITTING, 6 MORB X 4 ORFS	1	
22	14607	HOSE - 1/4 x 102 - 4 ORS 90 / 4 ORS R17	1	
23	14606	HOSE - 1/4 x 104 - 4 ORS 90 / 4 ORS R17	1	
24	16675	HOPPER/SCREED/TOW VALVE - 6 SPOOL	1	BREAKDOWN PAGE 13.1
25	12410	CYLINDER 2 1/2 x 12	2	
	73152576	SEAL KIT 2 1/2 CYLINDER, 1" ROD	AR	
26	C2239754	CYLINDER 2x8	2	
	C2239754C6	RETAINING RING	AR	
	C2239754C7	SEAL KIT	AR	
27	12415	CYLINDER 1 1/2 x 4	2	
	5243	SEAL KIT 1 1/2 CYLINDER 1" ROD	AR	
28	12412	CYLINDER 2 1/2 x 12	1	
	73152576	SEAL KIT 2 1/2 CYLINDER, 1" ROD	AR	
29	4670	FITTING 8 ORB/8ORS(SWIVEL)	1	
30	7156	HOSE - 1/2 x 21 - 8 ORS / 8 ORS	1	
31	73164161	FITTING 8 ORS x 8 ORB	2	

GROUP:11160

# SCREED HOSE DIAGRAM

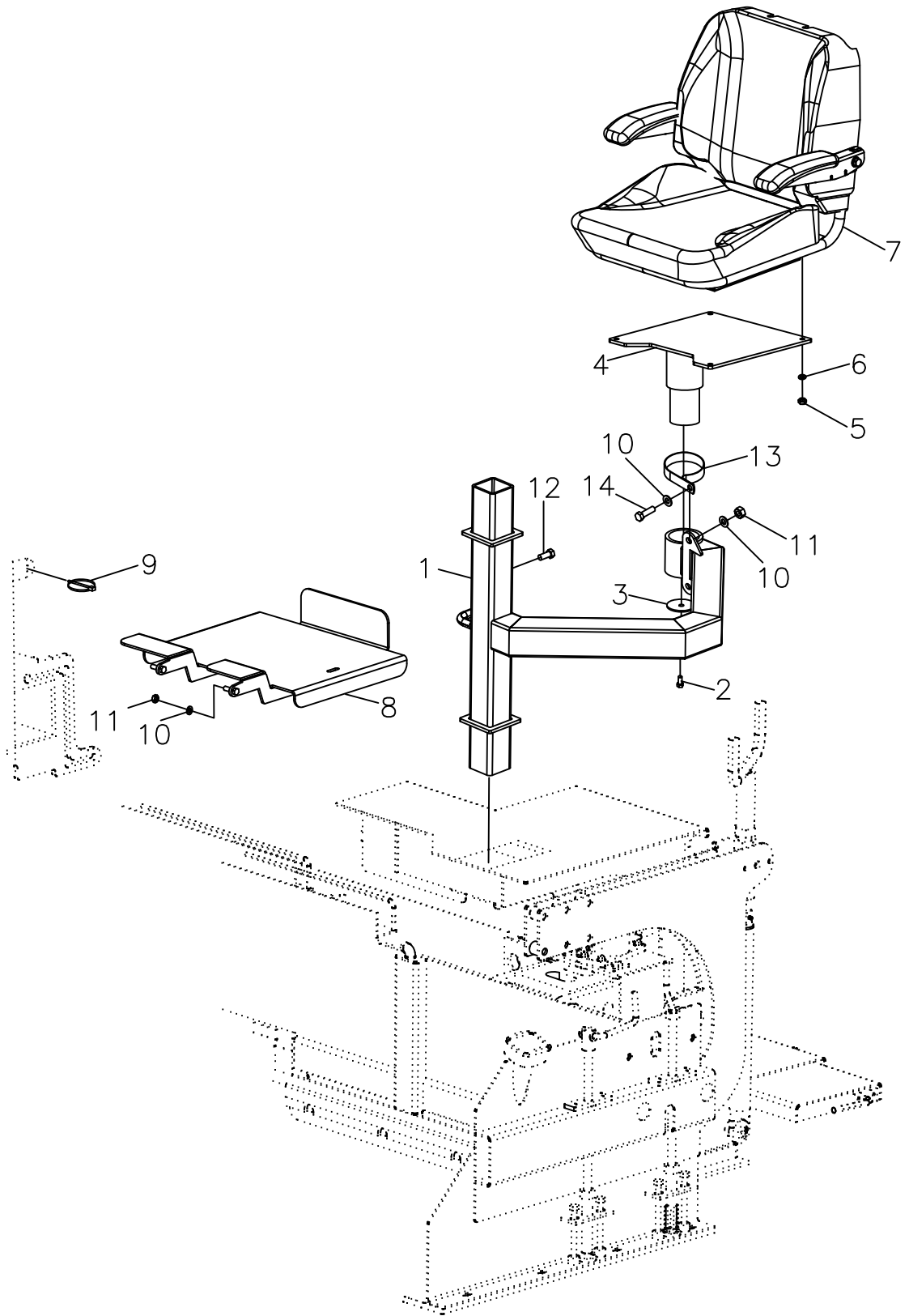


## SCREED HOSE DIAGRAM

ITEM NO.	PART NO.	DESCRIPTION	QTY	REMARKS
1	11510	RH EXT CYLINDER 2x46	1	
	13104	SEAL KIT 2" CYLINDER, 1" ROD	AR	
2	11509	LH EXT CYLINDER 2x46	1	
	13104	SEAL KIT 2" CYLINDER, 1" ROD	AR	
3	14605	HOSE - 1/4 x 70 - 6 ORS 90 / 6 ORS R17 w/SLEEVE	1	
4	14604	HOSE - 1/4 x 27.5 - 6 ORS 90 / 6 ORS R17	1	
5	73156780	FITTING 6MORS/6MORB	1	
6	4584	FITTING 6ORSx6ORB 90DEG	1	
7	14622	HOSE 1/4 x 98 - 6 ORS 90 / 4 ORS R17 w/SLEEVE	1	
8	3104	FITTING, 6 MORB X 4 ORFS	1	
9	14623	HOSE - 1/4 x 66 - 6 ORS 90 L / 4 ORS R17 w/SLEEVE	1	
10	9351	FITTING - 4ORS/6ORB 45 DEGREE	1	
11	14624	HOSE - 3/8 x 16 - 6 ORS 90 L / 6 ORS R17 w/SLEEVE	1	
12	73156781	FITTING 8ORB x 6ORS	6	
13	7144	HOSE - 3/8 x 55 - 6 ORS / 6 ORS	1	
14	73156788	FITTING 10ORB/6ORS 90	4	
15	8043	HOSE - 3/8 x - 52 6 ORS / 6 ORS 90	1	
16	9343	HOSE - 1/4 x 54 - 4 ORS / 4 ORS w/SLEEVE	1	
17	3560	FITTING - 4 ORS x 4 ORB 90	1	
18	73156771	BULKHEAD FITTING 4 ORS BULKHEAD	1	
19	6374	HOSE - 1/4 x 64 - 4 ORS / 4 ORS 90	1	
20	14879	FITTING - BRANCH TEE, 4ORS/4ORS/4ORB	1	
21	73164162	FITTING 8 ORS BLKHD	2	
22	14620	HOSE - 1/2 x 78 - 8 ORS 90 / 8 ORS R17 w/SLEEVE	1	
23	73164161	FITTING 8 ORS x 8 ORB	2	
24	14619	HOSE - 1/2 x 64 - 8 ORS 90 / 8 ORS R17 w/SLEEVE	1	
25	C3082125	HYD. MOTOR, .38CID	2	
26	11775	VIBRATOR/SCREED VALVE - 3 SPOOL	1	BREAKDOWN PAGE 13.3

GROUP:11160

# SEAT MOUNT ASSEMBLY



## SEAT MOUNT ASSEMBLY

ITEM NO.	PART NO.	DESCRIPTION	QTY	REMARKS
1	16310	SEAT POST W/A	1	
2	70926115	BOLT 1/2-13 x 3/4 ZY	1	
3	13242	WASHER 5/8 x 3.0 - 7GA ZY	1	
4	16304	SEAT MOUNT	1	
5	12028	NUT 5/16-18 NYLOCK ZC	4	
6	3782	WASHER 5/16 ZY	4	
7	6135	SEAT	1	
	6135C3	4" SINGLE LOCKING TRACK SET	1	
8	16400	LHS UPPER STEP PLATE	1	
	16268	RHS UPPER STEP PLATE	1	
9	10067	LYNCH PIN 3/16	2	
10	70918266	WASHER 3/8 ZY	6	
11	3756	LOCK NUT 3/8-16 GRBTOPLOCK ZY	5	
12	70923485	BOLT 3/8-16 x 7/8 GR8 ZY	1	
13	19418	P-CLAMP 2 3/4" - 3/4 WIDE W/ 13/32 MTG HOLE	1	
14	70922605	BOLT 3/8-16 x 1 1/4 GR8 ZY	1	

GROUP:13437

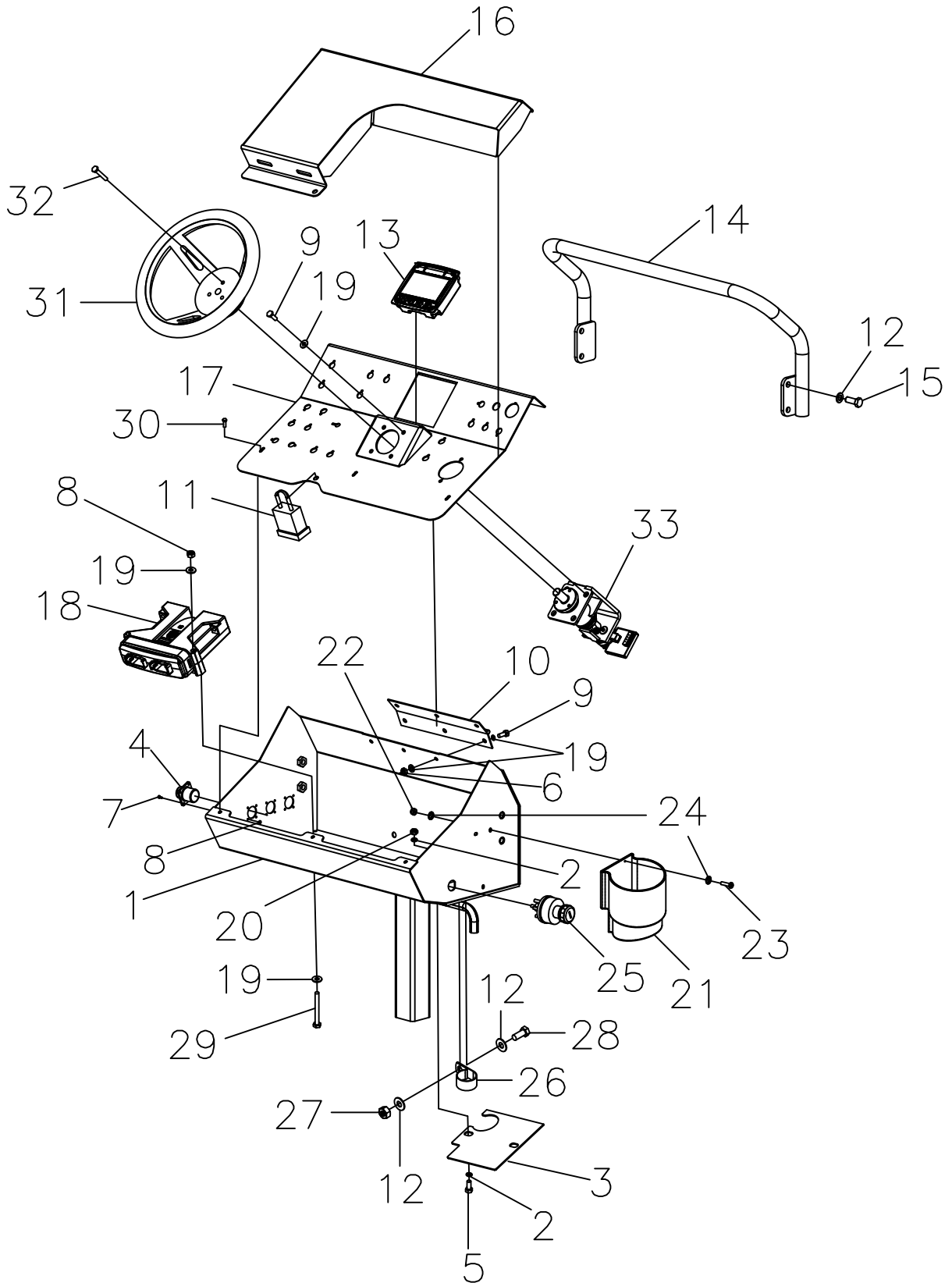


## CONTROL PANEL ASSEMBLY

ITEM NO.	PART NO.	DESCRIPTION	QTY	REMARKS
1	16341	LH CONTROL BOX W/A	1	
	16369	RH CONTROL BOX W/A	1	
2	3782	WASHER 5/16 ZY	8	
3	13588	RH HARNESS COVER	2	
4	13498	AMP 6 PIN RECEPTACLE	6	
5	70926149	BOLT 5/16-18 x 1 ZC	4	
6	14654	LOCK NUT 1/4-20 CNTRLK ZY	14	
7	6347	SCREW #4-40x3/8 PAN HEAD PHILLIPS	24	
8	6348	LOCK NUT #4-40 Z NYLOCK	24	
9	3759	BOLT 1/4-20 x 3/4 ZY	12	
10	17774	HINGE 2 1/2 16G x 8.0 w/HOLES	2	
11	C2462641	CAT PADLOCK w/KEY	2	
12	4091	WASHER 3/8 HARD ZY	12	
13	10525	DP200 DISPLAY w/SIX INPUTS	1	
14	16417	GRAB HANDLE W/A	2	
15	3768	BOLT 3/8-16 x 1.0 ZY	8	
16	16420	LH VANDAL COVER	1	
	16421	RH VANDAL COVER	1	
17	13349	LH CONTROL PANEL	1	
	13586	RH CONTROL PANEL	1	
18	10477	MC024-020 MICRO CONTROLLER	1	
19	70918264	WASHER 1/4 ZY	28	
20	3755	LOCK NUT 5/16-18 NYLON ZY	4	
21	73161860	CUP HOLDER	2	
22	3753	LOCK NUT 10-24 NYLOCK Z	6	
23	7286	SCREW #10-24 x 3/4 PANHEAD PHILLIPS	6	
24	3779	WASHER #10 Z	12	
25	C7Y3918	CAT KEYSWITCH w/COLD START	1	
26	16980	P-CLAMP 1.25ID, 3/8 MTG HOLE	2	
27	3756	LOCK NUT 3/8-16 TOPLOCK ZY	2	
28	70923485	BOLT 3/8-16 x 7/8 GR8 ZY	2	
28	4109	BOLT 1/4-20 x 2 1/2 Z	2	
30	5200	SCREW 10-24x3/8 PANHEAD PHILLIPS, SS	2	

GROUP:13423 & 13424

# STEERING WHEEL CONTROL PANEL ASSEMBLY





## STEERING WHEEL CONTROL PANEL ASSEMBLY

ITEM NO.	PART NO.	DESCRIPTION	QTY	REMARKS
1	18975	LH CONTROL BOX W/A	1	
	18976	RH CONTROL BOX W/A	1	
2	3782	WASHER 5/16 ZY	8	
3	13588	RH HARNESS COVER	2	
4	13498	AMP 6 PIN RECEPTACLE	6	
5	70926149	BOLT 5/16-18 x 1 ZC	4	
6	14654	LOCK NUT 1/4-20 CNTRLK ZY	14	
7	6347	SCREW #4-40x3/8 PAN HEAD PHILLIPS	24	
8	6348	LOCK NUT #4-40 Z NYLOCK	24	
9	3759	BOLT 1/4-20 x 3/4 ZY	20	
10	17774	HINGE 2 1/2 16G x 8.0 w/HOLES	2	
11	C2462641	CAT PADLOCK w/KEY	2	
12	4091	WASHER 3/8 HARD ZY	12	
13	10525	DP200 DISPLAY w/SIX INPUTS	1	
14	18982	GRAB HANDLE W/A	2	
15	3768	BOLT 3/8-16 x 1.0 ZY	8	
16	18983	VANDAL COVER W/A	2	
17	19698	LH CONTROL PANEL W/A	1	
	19699	RH CONTROL PANEL W/A	1	
18	10477	MC024-020 MICRO CONTROLLER	1	
19	70918264	WASHER 1/4 ZY	36	
20	3755	LOCK NUT 5/16-18 NYLON ZY	4	
21	73161860	CUP HOLDER	2	
22	3753	LOCK NUT 10-24 NYLOCK Z	6	
23	7286	SCREW #10-24 x 3/4 PANHEAD PHILLIPS	6	
24	3779	WASHER #10 Z	12	
25	C7Y3918	CAT KEYSWITCH w/COLD START	1	
26	16980	P-CLAMP 1.25ID, 3/8 MTG HOLE	2	
27	3756	LOCK NUT 3/8-16 GRBTOPLOCK ZY	2	
28	70923485	BOLT 3/8-16 x 7/8 GR8 ZY	2	
29	4109	BOLT 1/4-20 x 2 1/2 Z	2	
30	5200	SCREW 10-24x3/8 PANHEAD PHILLIPS, SS	6	
31	18951	10" STEERING WHEEL	2	SERIAL NUMBER 1001-1129
	C3637372	250mm STEERING WHEEL w/ CENTER CAP	2	SERIAL NUMBER 1130 & UP
32	14907	BOLT 1/4-20 x 3/4 SS BUTTONHEAD	6	
33	19745	STEERING SUBASSEMBLY	2	BREAKDOWN PAGE 4.4



## CONTROL PANEL SWITCHES ASSEMBLY

ITEM NO.	PART NO.	DESCRIPTION	QTY	REMARKS
1	6128	TOGGLE SWITCH - 3 POSITION, 1 POLE, DT, MOM	15	
2	12038	TOGGLE SWITCH - 3 POSITION, 2 POLE, DT, MNTD	4	
3	12037	TOGGLE SWITCH - 3 POSITION, 2 POLE, DT, MOM/MNTD/MNTD	4	
4	12029	TOGGLE SWITCH - 3 POSITION, 1 POLE, DT, MOM/MAINT'D/MAINT'D	2	
5	6129	TOGGLE SWITCH - 2 POSITION, 1 POLE, DT, MAINT'D (ON/ON)	3	
6	10523	1k POT w/120 OHM RESISTORS	2	
	14468	ROTARY KNOB, 1 1/8" W/ POINTER	2	
7	6134	TOGGLE SWITCH - 2 POSITION, 4 POLE, ST, MAINT'D	1	
8	3931	ORANGE PUSH BUTTON w/2 DEUTSCH SOCKETS	2	
9	8952	RED STOP BUTTON - NO/NC	2	
10	10525	DP200 DISPLAY w/SIX INPUTS	1	
11	9489	TOGGLE SWITCH - 3 POSITION, 2 POLE, DT, MOM	2	
12	6130	TOGGLE SWITCH - 3 POSITION, 4 POLE, DT, MAINT'D	1	
13	6136	TOGGLE SWITCH - 3 POSITION, 1 POLE, DT, MAINT'D	2	
14	10522	JOYSTICK w/CTR LOCK	4	
15	14535	DECAL-LH INSTRUMENT PANEL	1	
16	14536	DECAL-RH INSTRUMENT PANEL	1	

GROUP:13423 & 13424

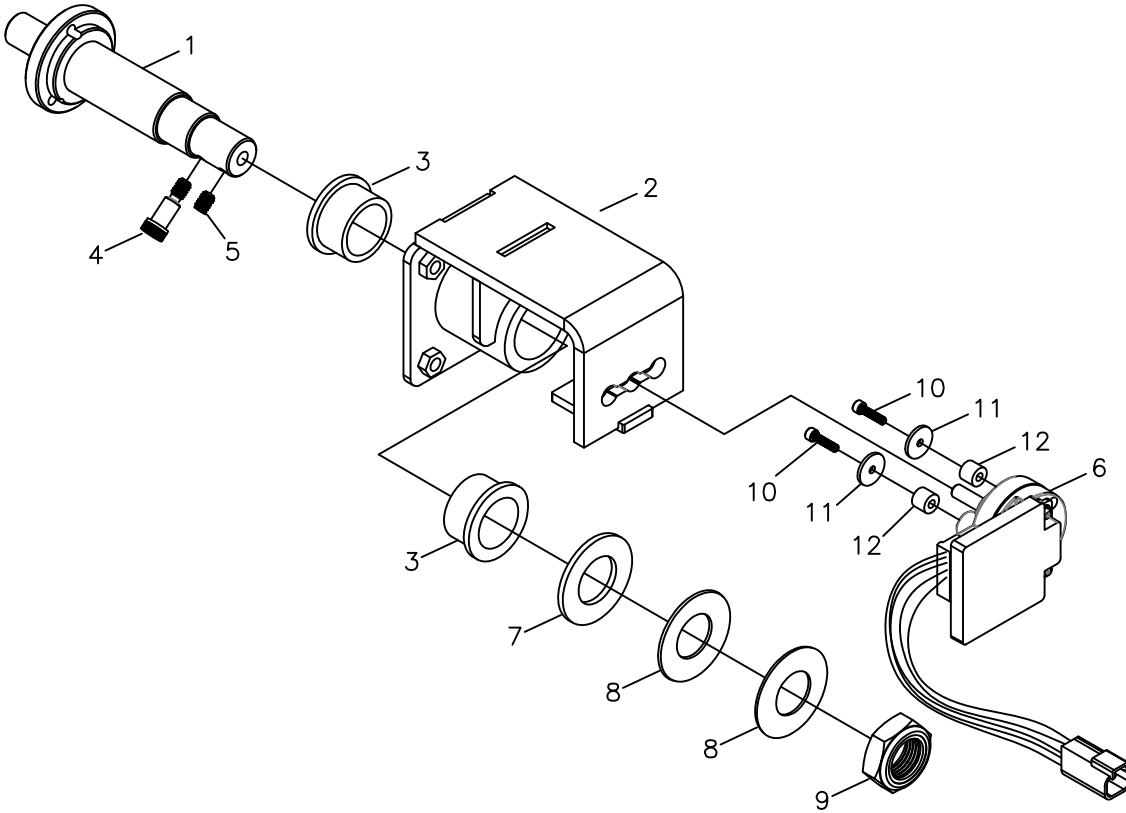


## STEERING WHEEL CONTROL PANEL SWITCHES ASSEMBLY

ITEM NO.	PART NO.	DESCRIPTION	QTY	REMARKS
1	6128	TOGGLE SWITCH - 3 POSITION, 1 POLE, DT, MOM	15	
2	12038	TOGGLE SWITCH - 3 POSITION, 2 POLE, DT, MNTD	4	
3	12037	TOGGLE SWITCH - 3 POSITION, 2 POLE, DT, MOM/MNTD/MNTD	4	
4	12029	TOGGLE SWITCH - 3 POSITION, 1 POLE, DT, MOM/MAINT'D/MAINT'D	2	
5	6129	TOGGLE SWITCH - 2 POSITION, 1 POLE, DT, MAINT'D (ON/ON)	4	
6	10523	1k POT w/120 OHM RESISTORS	2	
	14468	ROTARY KNOB, 1 1/8" W/ POINTER	2	
7	6134	TOGGLE SWITCH - 2 POSITION, 4 POLE, ST, MAINT'D	1	
8	3931	ORANGE PUSH BUTTON w/2 DEUTSCH SOCKETS	2	
9	8952	RED STOP BUTTON - NO/NC	2	
10	10525	DP200 DISPLAY w/SIX INPUTS	1	
11	9489	TOGGLE SWITCH - 3 POSITION, 2 POLE, DT, MOM	2	
12	6130	TOGGLE SWITCH - 3 POSITION, 4 POLE, DT, MAINT'D	1	
13	6136	TOGGLE SWITCH - 3 POSITION, 1 POLE, DT, MAINT'D	2	
14	10522	JOYSTICK w/CTR LOCK	2	
15	18884	DECAL - CONTROL PANEL	1	
16	18885	DECAL - CONTROL PANEL	1	
17	18937	DECAL - CONTROL PANEL	1	

GROUP:19922 & 19923

# STEERING ASSEMBLY

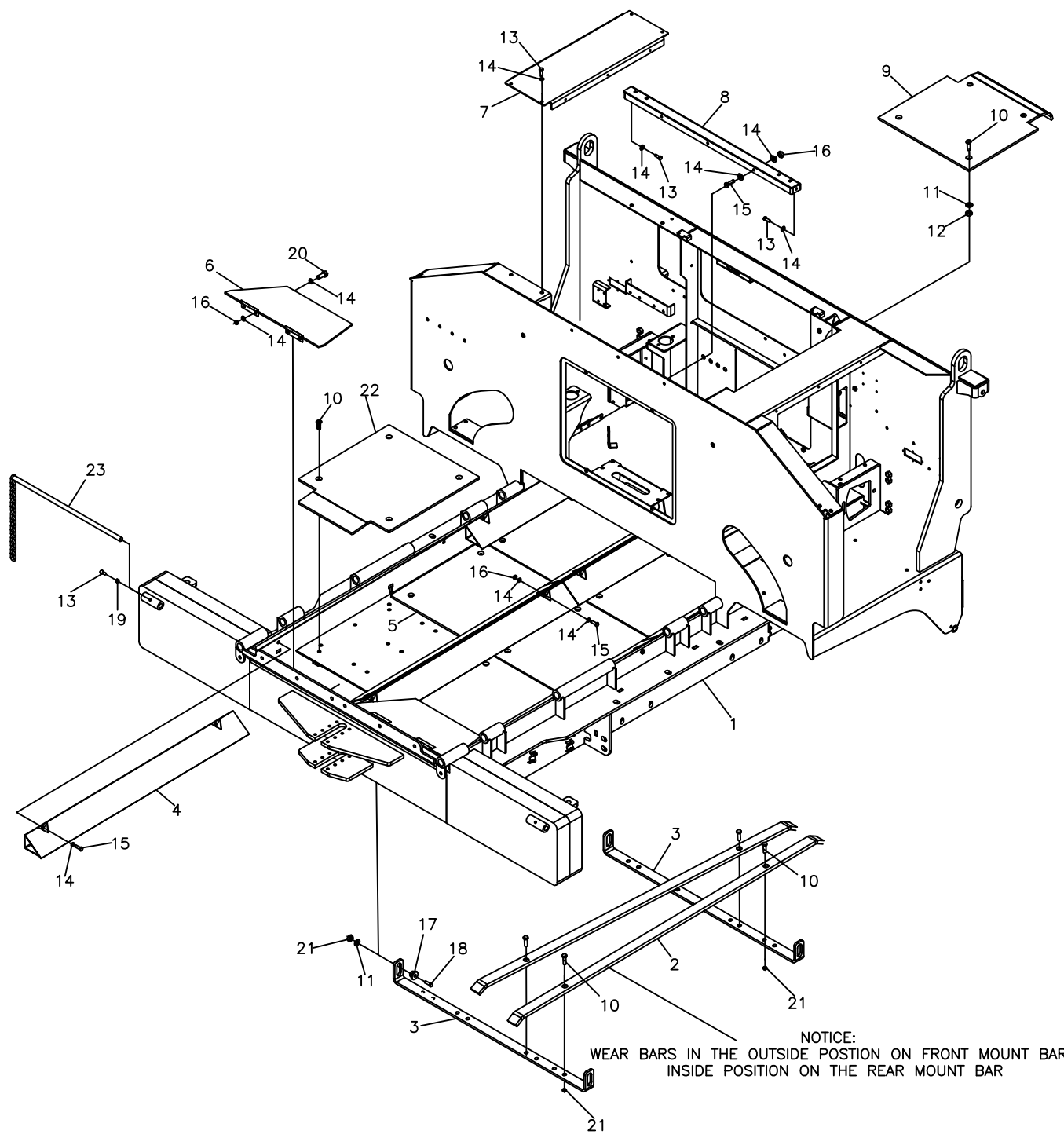


## STEERING ASSEMBLY

ITEM NO.	PART NO.	DESCRIPTION	QTY	REMARKS
1	20160	STEERING SHAFT	1	
2	18965	STEERING MOUNT W/A	1	
3	18964	FLANGE BUSHING 1.25OD, 1.00ID, .75L, BRONZE	2	
4	18971	SHOULDER BOLT - 1/4-20, 5/16 X 1/2 L SOULDER	1	
5	19749	SETSCREW 1/4-20 x 3/16 LOCKING	1	
6	18950	1k HALL AFFECT POTENTIOMETER AY - 270 DEG	1	
7	5597	WASHER 7/8 HARD ASTM A436 ZY	1	
8	19747	7/8" SPRING WASHER	2	
9	19748	NUT 7/8-14 JAM NYLOCK	1	
10	19744	6-32 x 9/16" SHCS	2	
11	19746	#6 FENDER WASHER	2	
12	18972	BUSHING .38 .16 .31	2	

GROUP:19745

# FRAME ASSEMBLY



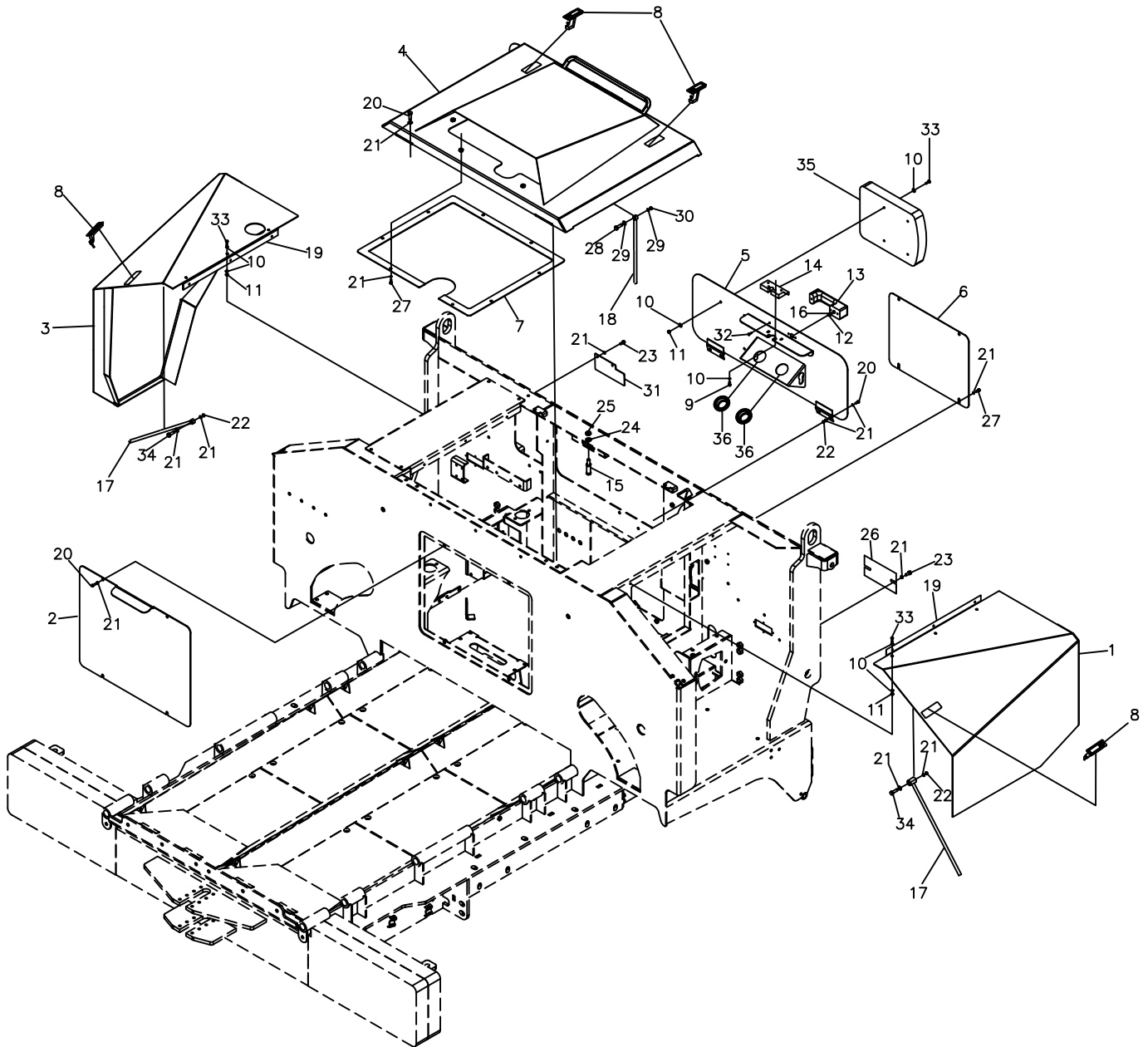


## FRAME ASSEMBLY

ITEM NO.	PART NO.	DESCRIPTION	QTY	REMARKS
1	12000	P385 MAINFRAME W/A	1	
2	13289	CONVEYOR WEAR BAR	4	
3	12007	MOUNT BAR	2	
4	13251	ANGLED CHAIN COVER W/A	8	
5	13378	LINER PLATE	4	
6	13624	CONVEYOR DOOR W/A	2	
7	12304	TOP SUPPORT	1	
8	13325	FRONT SUPPORT W/A	1	
9	13377	REAR LINER PLATE	2	
10	C1072784	BOLT 1/2-13 x 1 1/2 CTSK ALLEN HEAD Z	40	
11	3784	WASHER 1/2 HARD ZY	36	
12	70916951	NUT 1/2-13 ZY	32	
13	70923490	BOLT 3/8-16 x 1 GR8 ZY	8	
14	70918266	WASHER 3/8 ZY	36	
15	70922605	BOLT 3/8-16 x 1 1/4 GR8 ZY	15	
16	3756	LOCK NUT 3/8-16 TOPLOCK ZY	15	
17	4191	SPACER	4	SERIAL NUMBER 1001-1207
	3784	WASHER 1/2 HARD ZY	4	SERIAL NUMBER 1208 & UP
18	70921898	BOLT 1/2-13 x 2 GR8 ZY	4	
	70921525	BOLT 1/2-13 x 1 3/4 GR8 ZY	4	
19	70917421	JAM NUT 3/8-16 ZY	2	
20	7298	CARRIAGE BOLT 3/8-16 x 1 ZY	8	
21	3757	LOCK NUT 1/2-13 GRC TOPLOCK ZY	12	
22	16438	FRONT LINER PLATE	2	
23	16158	STEERING SIGHT GAUGE W/A	1	

GROUP:13412

# HOODS & COVERS ASSEMBLY

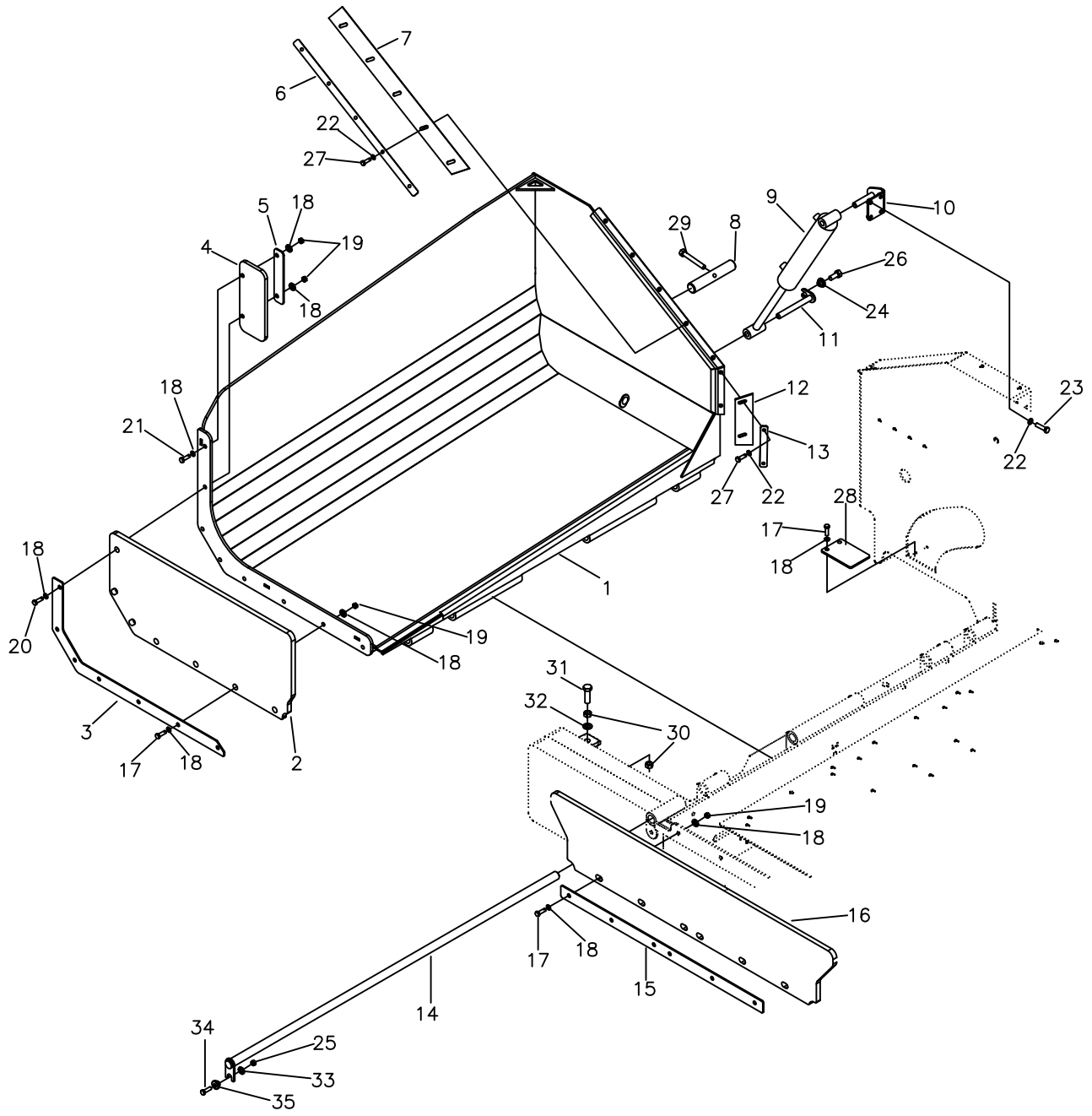


## HOODS & COVERS ASSEMBLY

ITEM NO.	PART NO.	DESCRIPTION	QTY	REMARKS
1	13744	LH UPPER HOOD W/A	1	
2	13380	FRONT ENGINE DOOR	1	
3	13743	RH UPPER HOOD W/A	1	
4	13367	TOP HOOD W/A	1	
5	13276	REAR ENGINE DOOR W/A	1	
6	13193	GENERATOR DOOR PLATE	1	
7	13704	HOOD SCREEN W/A	1	
8	14177	COMPRESSION LATCH w/CAT KEY	4	HARDWARE INCLUDED
9	3759	BOLT 1/4-20 x 3/4 ZY	4	
10	70918264	WASHER 1/4 ZY	36	
11	14654	LOCK NUT 1/4-20 CNTRLK ZY	16	
12	14685	SCREW M6-1.0 x 30 PHILLIPS PAN ZY	1	
13	11461	DOOR HANDLE w/CAT LOCK	1	
14	11460	DOOR LATCH	1	
15	11431	SHOULDER STRIKER BOLT	1	
16	15896221	NUT M6x1 Z	1	
17	13746	SIDE PROP ROD	2	
18	13678	PROP ROD W/A	1	
19	13375	HINGE 2 1/2" x 23 1/2"	2	
20	70923485	BOLT 3/8-16 x 7/8 GR8 ZY	12	
21	70918266	WASHER 3/8 ZY	40	
22	3756	LOCK NUT 3/8-16 TOPLOCK ZY	6	
23	70923490	BOLT 3/8-16 x 1 GR8 ZY	8	
24	3784	WASHER 1/2 HARD ZY	1	
25	3757	LOCK NUT 1/2-13 GRC TOPLOCK ZY	1	
26	14981	ACCESS DOOR	2	
27	70928181	BOLT 3/8-16 x 5/8 GR8 ZY	12	
28	14683	BOLT 5/16-18 x 1 1/2 ZY	1	
29	3782	WASHER 5/16 ZY	2	
30	3755	LOCK NUT 5/16-18 NYLON ZY	1	
31	16398	COVER PLATE	2	
32	4573	BOLT M6-1.0 x 16 ZY	3	
33	3759	BOLT 1/4-20 x 3/4 ZY	16	
34	70922605	BOLT 3/8-16 x 1 1/4 GR8 ZY	2	
35	7185	MANUAL CARRIER 8 1/2x11x1 5/8	1	
36	2657	GROMMET 2" LIGHT (same as H1838)	2	
	73162948	ADHESIVE STRIP 1/16 x 1/2	13	FEET
	73050105	EDGE TRIM - 12GA	15	FEET
	7202	EDGE TRIM - 1/8 w/7/16 BULB	8.5	FEET

GROUP:13417

# HOPPER ASSEMBLY

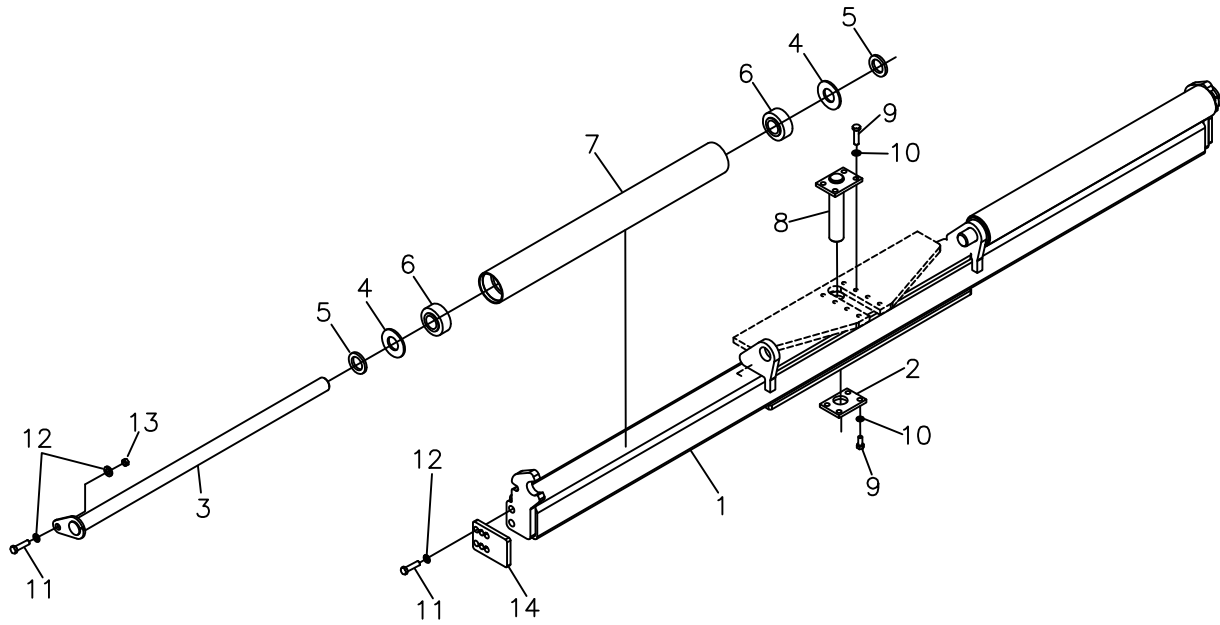


## HOPPER ASSEMBLY

ITEM NO.	PART NO.	DESCRIPTION	QTY	REMARKS
1	12065	RH HOPPER WING W/A	1	
	12066	LH HOPPER WING W/A	1	
2	14095	HOPPER WING FLASHING	2	
3	13403	OUTSIDE FLASHING COVER PLATE	2	
4	14330	HOPPER WING UPPER FLASHING	2	
5	14331	UPPER FLASHING BACKER PLATE	2	
6	13648	TOP HOPPER SCRAPER SPACER	2	
7	13647	TOP HOPPER SCRAPER FLASHING	2	
8	12291	HOPPER PROP PIN	2	
9	12410	CYLINDER 2 1/2 x 12	2	
	73152576	SEAL KIT 2 1/2 CYLINDER, 1" ROD	AR	
10	12300	CYLINDER MOUNT W/A	2	
11	13386	HOPPER CYLINDER PIN W/A	2	
12	13649	BOTTOM HOPPER SCRAPER FLASHING	2	
13	13650	BOTTOM HOPPER SCRAPER SPACER	2	
14	13286	HOPPER PIN W/A	2	
15	13404	CENTER FLASHING COVER PLATE	1	
16	13402	CENTER HOPPER FLASHING	1	
17	70927469	BOLT 1/2-13 x 2 1/4 GR8 ZY	22	
18	3784	WASHER 1/2 HARD ZY	48	
19	3757	LOCK NUT 1/2-13 GRC TOPLOCK ZY	22	
20	5360	BOLT 1/2-13 x 3 GR8 ZY	2	
21	70921898	BOLT 1/2-13 x 2 GR8 ZY	2	
22	70918266	WASHER 3/8 ZY	22	
23	70923490	BOLT 3/8-16 x 1 GR8 ZY	8	RED LOCK TITE
24	15616	SPACER	2	
25	3756	LOCK NUT 3/8-16 TOPLOCK ZY	2	
26	70923485	BOLT 3/8-16 x 7/8 GR8 ZY	2	
27	70922605	BOLT 3/8-16 x 1 1/4 GR8 ZY	14	
28	14757	HOPPER SHIM	AR	
29	6090	BOLT 1/2-13 x 4 1/2 GR8 ZY	2	
30	70901431	JAM NUT 3/4-10 Z	4	
31	4282	BOLT 3/4-10 x 3.0 ZY	2	
32	70929188	WASHER 3/4 HARD ASTM436 ZY	2	
33	4115	WASHER 3/8 1.25 .19 ZY	2	
34	70923470	BOLT 3/8-16 x 1 1/2 GR8 ZY	2	
35	4229	SPACER ZY	2	

GROUP:13415

# PUSH ROLLER ASSEMBLY

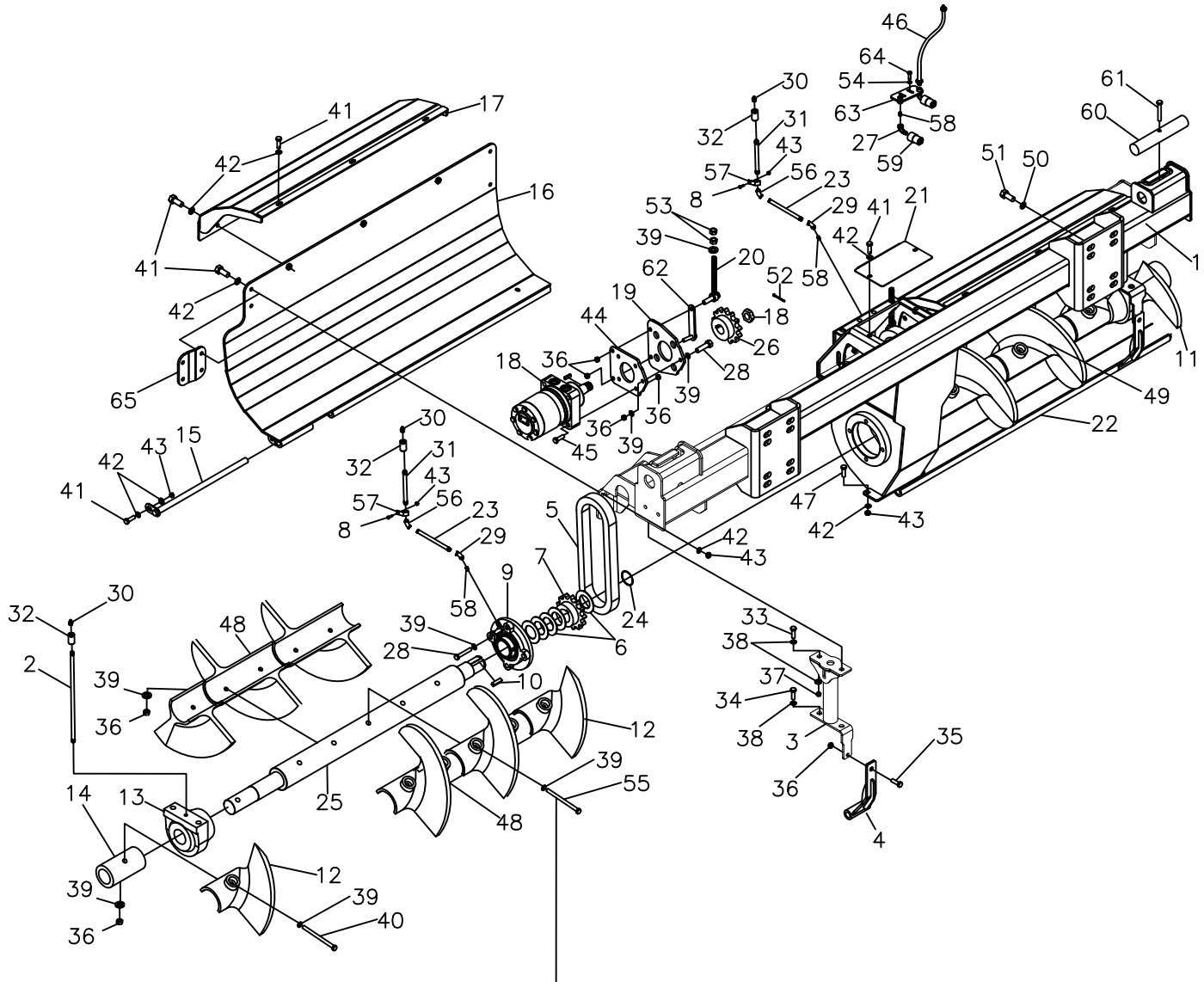


## PUSH ROLLER ASSEMBLY

ITEM NO.	PART NO.	DESCRIPTION	QTY	REMARKS
1	13235	8' 6" PUSH ROLLER BEAM W/A	1	
2	13406	PUSH FRAME PIN PLATE	1	
3	14493	ROLLER PIN W/A	2	
4	C810625	WASHER 1.53 3.19 .189	4	
5	C810626	WASHER 1.53 2.38 1/4	4	
6	C619487	BALL BEARING 1 1/2, TRIPLE SEALED, LUBRICATED	4	
7	11133	3 1/2" PUSH ROLLER	2	
8	13411	PUSH ROLLER PIN W/A	1	
9	70923493	BOLT 1/2-13 x 1.12 GR8 ZY	8	
10	3784	WASHER 1/2 HARD ZY	8	
11	6265	BOLT 5/8-11x2 GR8 ZY	6	
12	4783	WASHER 5/8 1.25 HARD ZY	8	
13	3758	LOCK NUT 5/8-11 G8 TOPLOCK ZY	2	
14	16160	PUSH BEAM PIVOT STOP PLATE	2	

GROUP:13414

# AUGER ASSEMBLY



NOTICE:  
DO NOT USE IMPACT ON AUGER FLIGHTS

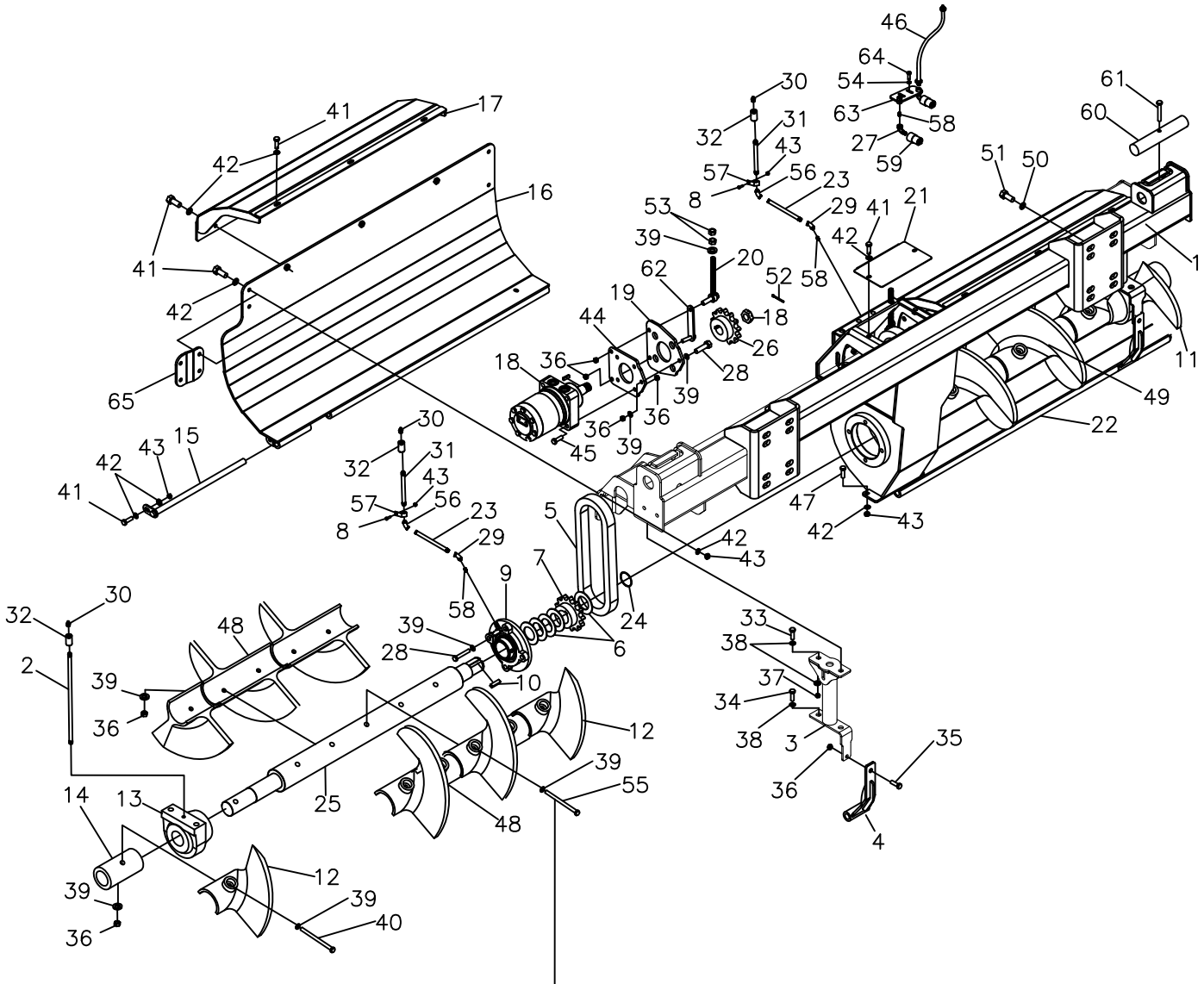


## AUGER ASSEMBLY

ITEM NO.	PART NO.	DESCRIPTION	QTY	REMARKS
1	16346	AUGER MOUNT W/A	1	SN 1177 & UP
2	17641	PIPE NIPPLE 1/8NPT x 11"	2	
3	13161	BEARING HANGER W/A	2	SN 1177 & UP
4	13224	AUGER BRACE HINGE W/A	2	
5	14178	80 ROLLER CHAIN, 34 PITCH, INCLUDES SPRING CLIP CONNECTOR	2	
	1348C1	MASTER LINK 80 ROLLER CHAIN	AR	
6	14319	SHIM 3.0 1.77 .07, ZINC PLATED	10	
7	12296	80B13 SPROCKET w/1 3/4 BORE	2	
8	70923485	BOLT 3/8-16 x 7/8 GR8 ZY	2	
9	12064	BEARING 1 15/16 2-BOLT PAVER TYPE	2	SERIAL NUMBER 1001-1070
	18407	BEARING 1 15/16 PILOTED FLANGE-PAVER TYPE	2	SERIAL NUMBER 1071 & UP
10	14321	KEY 3/8 x 1 1/2 HARD	2	
11	C8C3935	14" RH CAST AUGER, 1/4 SEGMENT	3	
12	C8C3936	14" LH CAST AUGER, 1/4 SEGMENT	3	
13	C1069718	HANGER BEARING	2	
14	13359	SHAFT COVER	2	
15	13230	WEAR PLATE PIN W/A	2	
16	13228	RH AUGER WEAR PLATE KIT	1	SERIAL NUMBER 1001-1070
	18402	RH AUGER WEAR PLATE W/A	1	SERIAL NUMBER 1071 & UP
17	13504	AUGER COVER W/A	2	
18	12209	HYDRAULIC MOTOR - 33.1 CID	2	INCLUDES NUT & 5/16 KEY
	22154	SEAL KIT - 33.1 CID MOTOR	AR	
19	16228	MOTOR MOUNT PLATE	2	
20	14314	MOTOR TAKE UP W/A	2	
21	16344	COVER PLATE	1	
22	13229	LH AUGER WEAR PLATE KIT	1	SERIAL NUMBER 1001-1070
	18401	LH AUGER WEAR PLATE W/A	1	SERIAL NUMBER 1071 & UP
23	C3B7285	FITTING 1/8 NPT x 2.5" NIPPLE	2	
24	10231	1 3/4" EXTERNAL SNAP RING	2	
25	12214	AUGER SHAFT	2	
26	12295	80B13 SPROCKET w/1 1/4 TAPERED BORE, 5/16 KEY	2	
27	70907059	STREET ELBOW 1/8NPT 90 DEGREE	2	
28	70921898	BOLT 1/2-13 x 2 GR8 ZY	10	
	6792	BOLT M12-1.75 x 40 GR8.8 ZY	8	SN 1100 & UP FOR ITEM 9
29	14325	PIPE ELBOW 1/8NPT X 45DEG	2	
30	70914465	ZERK 1/8NPT	4	
31	14323	PIPE NIPPLE 1/8NPT X 10"	2	
32	14324	PIPE COUPLING 1/8NPT	4	
33	70921411	BOLT 5/8-11x 1 1/2 GR 8 ZY	4	
34	8385	BOLT 5/8-11 x 1 ZY	4	
35	70926154	BOLT 1/2-13 x 1 GR8 ZY	2	
36	3757	LOCK NUT 1/2-13 GRC TOPLOCK ZY	28	
37	3758	LOCK NUT 5/8-11 GC TOPLOCK ZY	4	
38	4783	WASHER 5/8 1.25 HARD ZY	12	
39	3784	WASHER 1/2 HARD ZY	38	
40	6090	BOLT 1/2-13 x 4 1/2 GR8 ZY	2	
41	70923490	BOLT 3/8-16 x 1 GR8 ZY	24	
42	70918266	WASHER 3/8 ZY	32	
43	3756	LOCK NUT 3/8-16 GRB CENTER LOCK ZY	10	
44	16221	MOTOR MOUNT PLATE	2	
45	70923752	BOLT 1/2-13 x 2 1/2 GR8 ZY	8	
46	16448	GREASE HOSE 1/8MNPT/GREASE FITTING BULKHEAD x 11	2	
47	7298	CARRIAGE BOLT 3/8-16 x 1 ZY	2	
48	C8C3933	14" RH CAST AUGER, 1/2 SEGMENT	4	
49	C8C3934	14" LH CAST AUGER, 1/2 SEGMENT	4	

GROUP: 13420

# AUGER ASSEMBLY



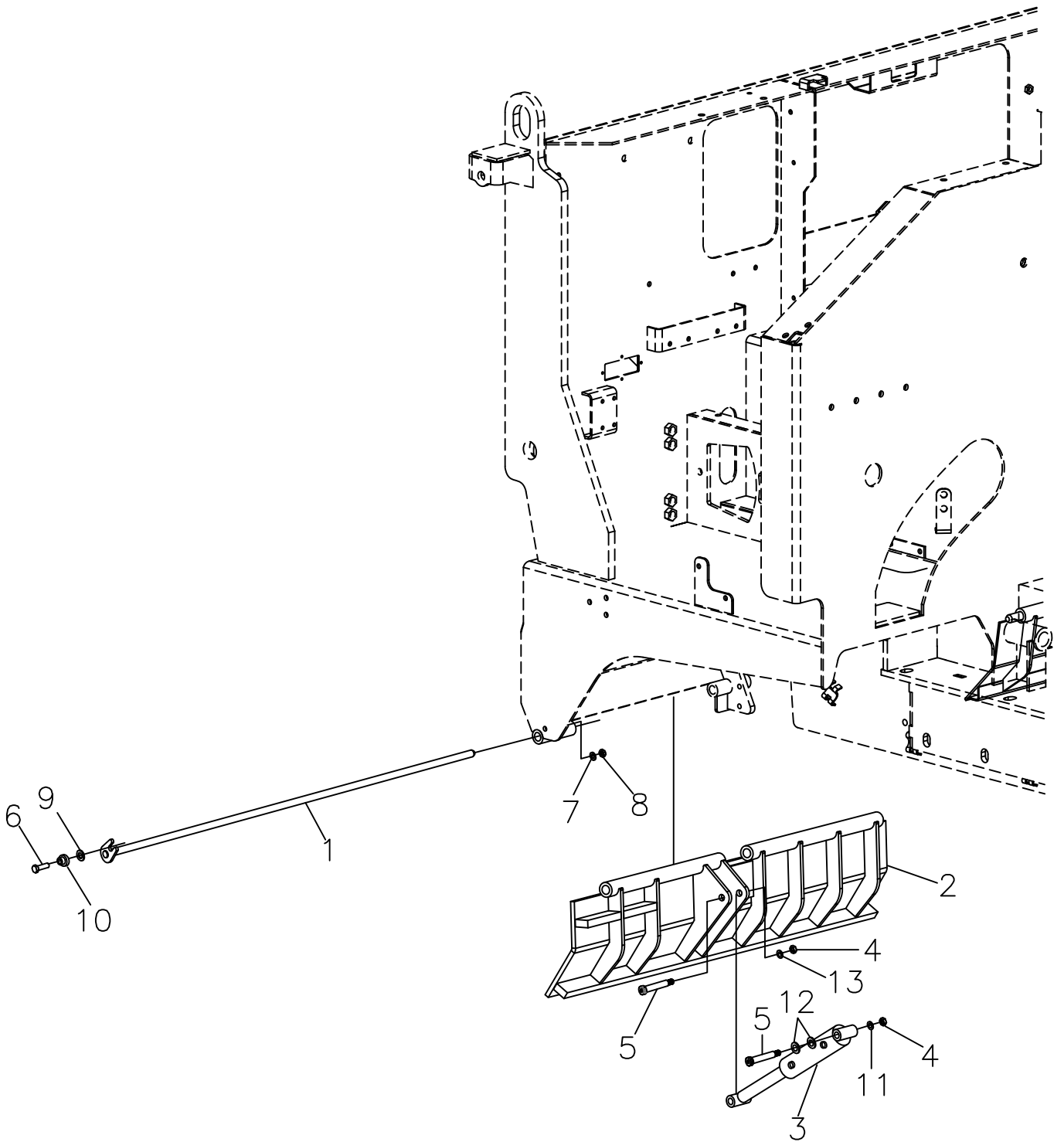
NOTICE:  
DO NOT USE IMPACT ON AUGER FLIGHTS

## AUGER ASSEMBLY

ITEM NO.	PART NO.	DESCRIPTION	QTY	REMARKS
50	10520201	WASHER 16mm 25mm 3mm ZY	16	
51	70921535	BOLT 5/8-11 x 1 3/4 G8 ZY	16	
52	14653	COTTER PIN 5/32 x 1 3/4 ZY	2	
53	70916951	NUT 1/2-13 ZY	4	
54	3782	WASHER 5/16 ZY	2	
55	7032	BOLT 1/2-13 x 5 ZY	10	
56	C8B4884	FITTING 1/8NPT ELBOW	2	
57	70926917	P-CLAMP 3/8 3/8 MTG HOLE	2	
58	70901467	FITTING 1/8MNPT-3/4 CLOSE NIPPLE	4	
59	16445	GREASE BRUSH	2	
60	14410	SCREED SUPPORT PIN	2	
61	4931	BOLT 1/2-13 x 3 1/2 GR8 ZY	2	
62	16388	BOLT BRACKET	2	
63	16372	GREASE MOUNT W/A	1	
64	70926149	BOLT 5/16-18 x 1 ZC	2	
65	18400	AUGER COVER ADAPTER PLATE (1 INCLUDED WITH ITEMS 16 & 22)	2	SERIAL NUMBER 1001-1070

GROUP: 13420

# CUT-OFF DOOR ASSEMBLY

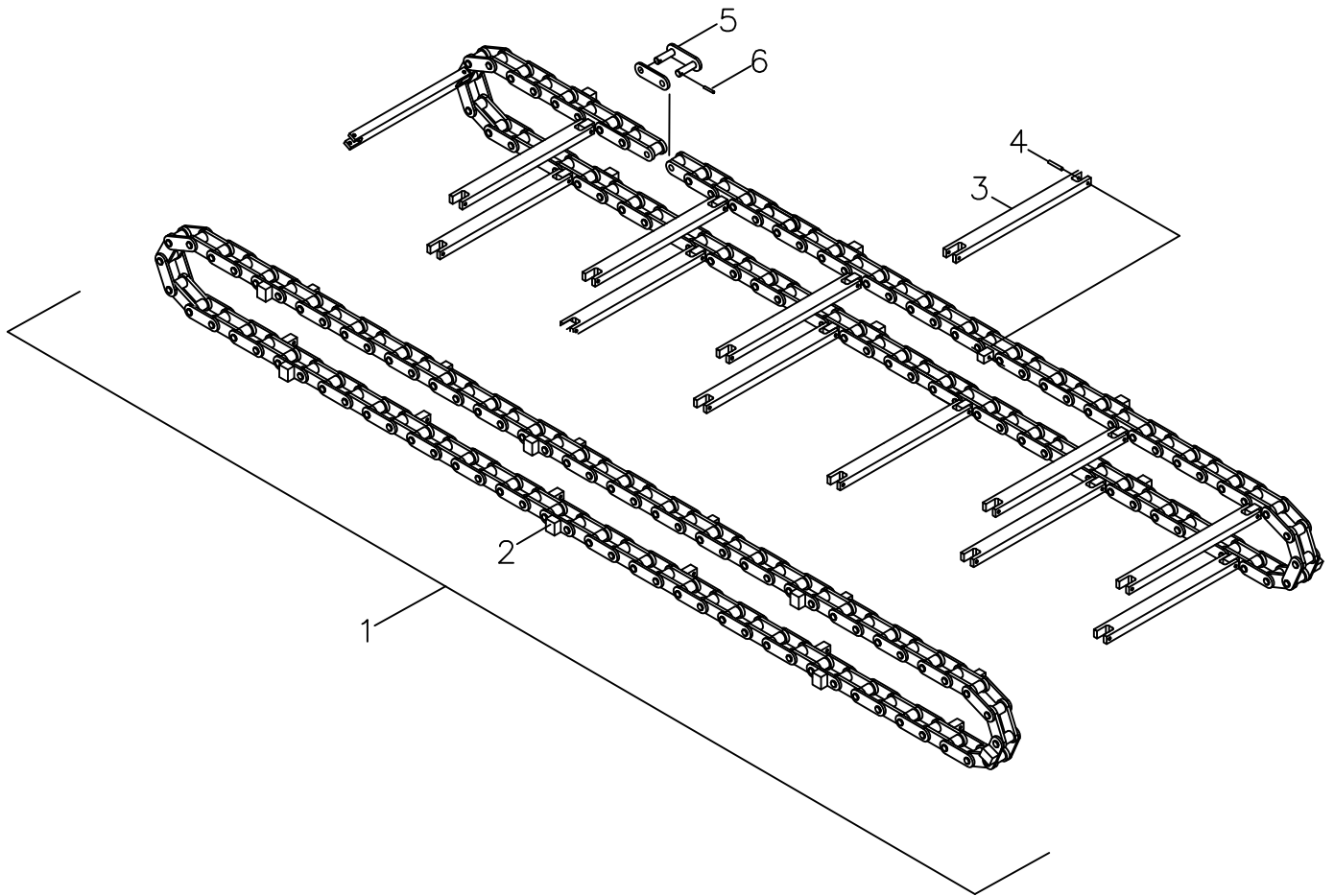


## CUT-OFF DOOR ASSEMBLY

ITEM NO.	PART NO.	DESCRIPTION	QTY	REMARKS
1	10271	CUTOFF DOOR PIN W/A	2	
2	13208	RH CUTOFF DOOR W/A	1	
	13210	LH CUTOFF DOOR W/A	1	
3	12415	CYLINDER - 1 1/2 X 4.00, 1/2 ID ENDS	2	SERIAL NUMBER 1001-1183
	21595	CYLINDER - 1 1/2 X 4.00, 5/8 ID ENDS	2	SERIAL NUMBER 1184 & UP
	5243	SEAL KIT 1 1/2 CYLINDER 1" ROD	AR	
4	3756	LOCK NUT 3/8-16 GRB CENTER LOCK ZY	4	SERIAL NUMBER 1001-1183
	3757	LOCK NUT 1/2-13 GRC TOPLOCK ZY	4	SERIAL NUMBER 1184 & UP
5	21598	SHOULDER BOLT 1/2x3.0, 3/8-16, SOCKET HEAD	4	SERIAL NUMBER 1001-1183
	70929222	SHOULDER BOLT 5/8x3.0, 1/2-13, SOCKET HEAD	4	SERIAL NUMBER 1184 & UP
6	70922287	BOLT 3/8-16 x 1 3/4 GR8 ZY	2	
7	70918266	WASHER 3/8 ZY	2	
8	3756	LOCK NUT 3/8-16 GRB CENTER LOCK ZY	2	
9	4115	WASHER 3/8 1.25 .19 ZY	2	
10	4229	SPACER ZY	2	
11	4115	WASHER 3/8 1.25 .19 ZY	2	SERIAL NUMBER 1001-1183
12	4783	WASHER 5/8 1.25 HARD ZY	4	SERIAL NUMBER 1184 & UP
13	4115	WASHER 3/8 1.25 .19 ZY	2	SERIAL NUMBER 1001-1183
	10995	WASHER 1/2 x 1.38 - .19YZ	2	SERIAL NUMBER 1184 & UP

GROUP:13422

# CONVEYOR CHAIN ASSEMBLY

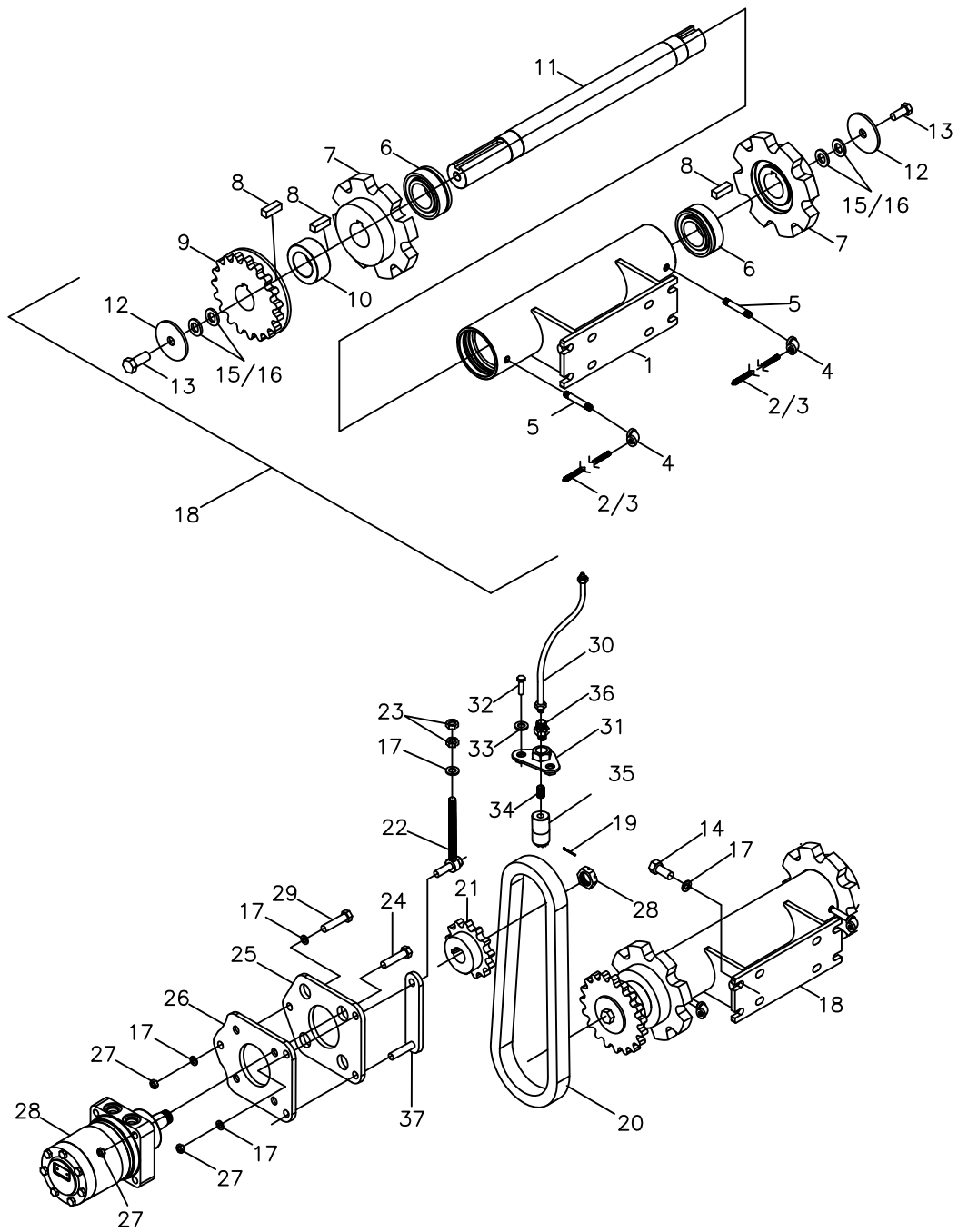


## CONVEYOR CHAIN ASSEMBLY

ITEM NO.	PART NO.	DESCRIPTION	QTY	REMARKS
1	13268	P385 CONVEYOR CHAIN AY	2	INCLUDES ITEMS 2-6
2	13267	CONVEYOR CHAIN W/A	4	SERIAL NUMBER 1001-1207
	22412	CONVEYOR CHAIN W/A w/CLEAN OUT TABS	4	SERIAL NUMBER 1208 & UP
3	13265	15.5" SLAT	26	
4	15580	ROLL PIN 1/4x1 1/2	52	
5	18929	MASTER LINK - 81XH CHAIN W/CLEAN-OUT TAB	2	INCLUDES ITEMS 6
6	70918448	COTTER PIN 3/32 x1	4	

GROUP:13419

# CONVEYOR DRIVE ASSEMBLY



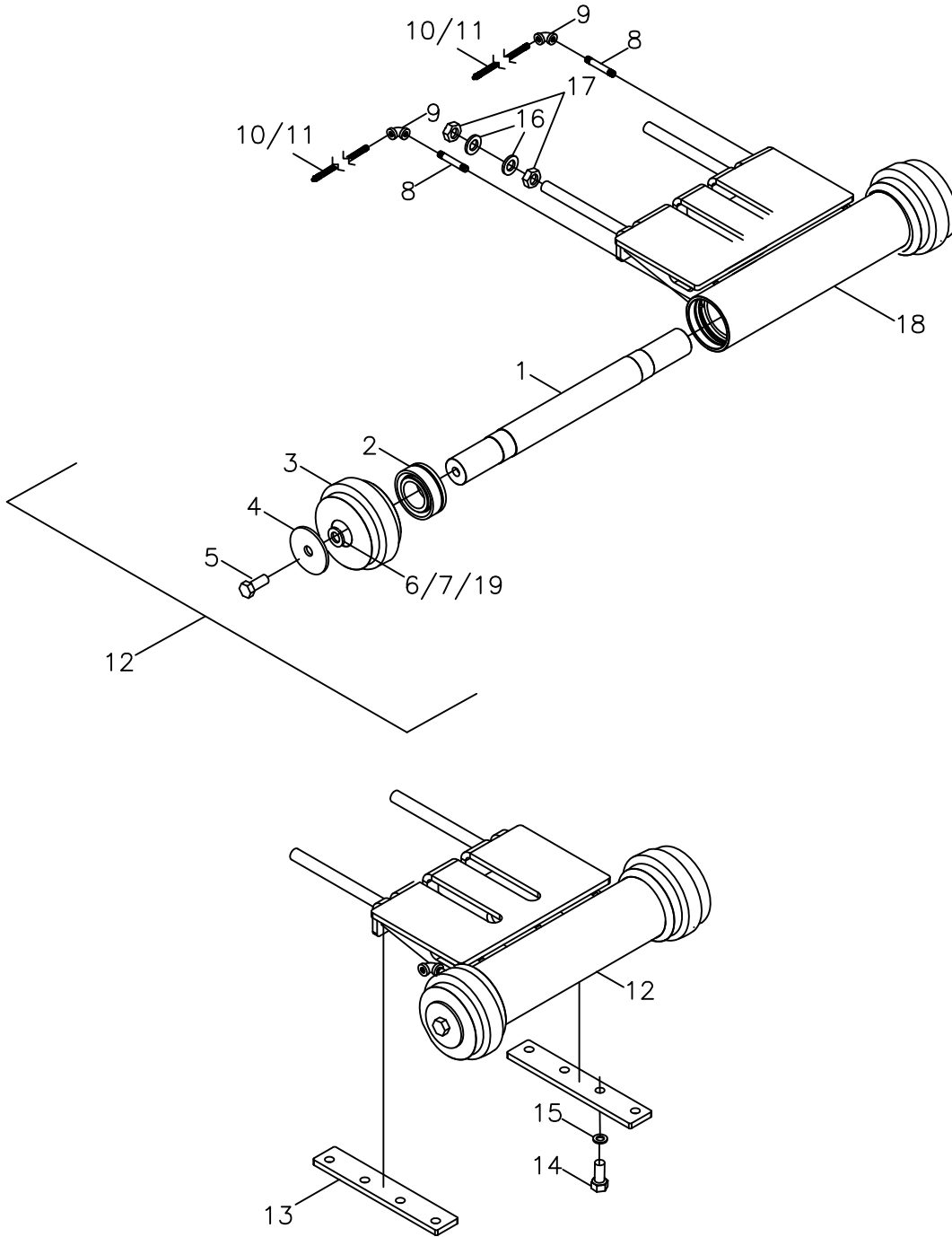


## CONVEYOR DRIVE ASSEMBLY

ITEM NO.	PART NO.	DESCRIPTION	QTY	REMARKS
1	13158	CONVEYOR DRIVE W/A	2	
2	14341	GREASE HOSE 4JIC / 1/8FNPT BULKHEAD x 129	2	
3	14340	GREASE HOSE 4JIC / 1/8FNPT BULKHEAD x 113	2	
4	16370	FITTING 1/8FNPT x 4 JIC 90	4	
5	14337	PIPE NIPPLE 1/8NPT X 2"	4	
6	12063	BALL BEARING, 1.938id, 90mm BORE, RELUBE, TRIPLE LIP	4	
7	12298	8 TOOTH "B" SPROCKET, 1 7/8 BORE W/ KEY, SPECIAL	4	
8	CB-17-476	KEY 1/2x1 1/2 HARD	6	
9	14647	19T SPROCKET W/A	2	
10	13240	CONVEYOR SPACER	2	
11	13149	CONVEYOR DRIVE SHAFT	2	
12	13242	WASHER 5/8 x 3.0 - 7GA ZY	4	
13	70921411	BOLT 5/8-11x 1 1/2 GR 8 ZY	4	
14	70923493	BOLT 1/2-13 x 1 1/8 GR8 ZY	8	
15	15371	WASHER 5/8x1 1/8od -.0747th	4	
16	15370	WASHER 5/8x1 1/8od -.0478th	4	
17	3784	WASHER 1/2 HARD ZY	22	
18	14107	CONVEYOR DRIVE AY	2	INCLUDES ITEMS 1,4-13,15,16
19	14653	COTTER PIN 5/32 x 1 3/4 ZY	2	
20	14936	80 ROLLER CHAIN, 46 PITCH, INCLUDES SPRING CLIP CONNECTOR	2	
	1348C1	MASTER LINK 80 ROLLER CHAIN	AR	
21	12295	80B13 SPROCKET w/1 1/4 TAPERED BORE, 5/16 KEY	2	
22	14314	MOTOR TAKE UP W/A	2	
23	70916951	NUT 1/2-13 ZY	4	
24	70923752	BOLT 1/2-13 x 2 1/2 GR8 ZY	8	
25	16233	MOTOR MOUNT PLATE	2	
26	16221	MOTOR MOUNT PLATE	2	
27	3757	LOCK NUT 1/2-13 GRC TOPLOCK ZY	14	
28	12209	HYDRAULIC MOTOR - 33.1 CID	2	
	22154	SEAL KIT - 33.1 CID MOTOR	AR	
29	70921898	BOLT 1/2-13 x 2 GR8 ZY	2	
30	16448	GREASE HOSE 1/8MNPT/ GREASE FITTING BULKHEAD x 11	2	
31	16409	GREASE BRUSH MOUNT	2	
32	14679	BOLT 5/16-18 x 7/8 ZY	4	
33	3782	WASHER 5/16 ZY	4	
34	70901467	FITTING 1/8MNPT-3/4 CLOSE NIPPLE	2	
35	16445	GREASE BRUSH	2	
36	11481	FITTING - 1/8" NPT x 1.5" BULKHEAD	2	
37	16388	BOLT BRACKET	2	

GROUP:13419

# CONVEYOR IDLER ASSEMBLY



## CONVEYOR IDLER ASSEMBLY

ITEM NO.	PART NO.	DESCRIPTION	QTY	REMARKS
1	13135	CONVEYOR IDLER SHAFT	2	
2	12063	BALL BEARING, 1.938id, 90mm BORE, TRIPLE LIP	4	
3	13213	IDLER ROLLER	4	
4	23335	WASHER 5/8 X 3.0 - .38	4	
5	70921535	BOLT 5/8-11 x 1 3/4 G8 ZY	4	
6	15370	WASHER 5/8x1 1/8od -.0478th	4	
7	15371	WASHER 5/8x1 1/8od -.0747th	4	
8	14337	PIPE NIPPLE 1/8NPT X 2"	4	
9	16370	FITTING 1/8FNPT x 4 JIC 90	4	
10	14338	GREASE HOSE 4JIC / 1/8FNPT BULKHEAD x 30	2	
11	14339	GREASE HOSE 4JIC / 1/8FNPT BULKHEAD x 44	2	
12	14108	CONVEYOR IDLER AY	2	INCLUDES ITEMS 1-9,18,19
13	9716	KEEPER BAR	4	
14	70923493	BOLT 1/2-13 x 1.12 GR8 ZY	16	
15	3784	WASHER 1/2 HARD ZY	16	
16	70929188	WASHER 3/4 HARD ASTM436 ZY	8	
17	70930912	NUT 3/4-10 ZY	8	
18	13134	IDLER MOUNT W/A	2	
19	15372	WASHER 5/8x1od -.1345th	4	

GROUP:13419

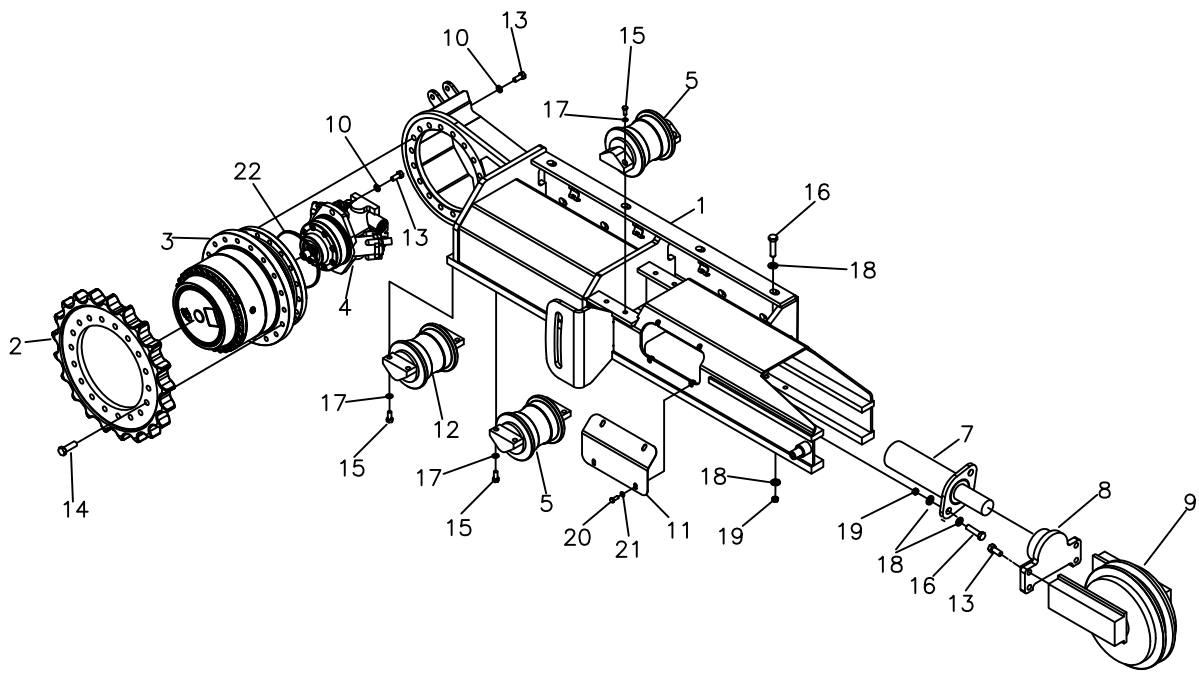
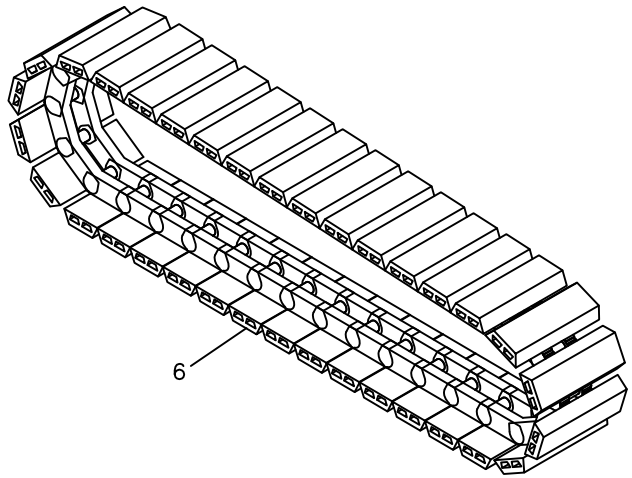


## CONVEYOR SCRAPER ASSEMBLY

ITEM NO.	PART NO.	DESCRIPTION	QTY	REMARKS
1	70922287	BOLT 3/8-16 x 1 3/4 GR8 ZY	4	SERIAL NUMBER 1001-1215
2	3756	LOCK NUT 3/8-16 TOPLOCK ZY	7	
3	4931	BOLT 1/2-13 x 3 1/2 GR8 ZY	2	SERIAL NUMBER 1001-1215
4	3784	WASHER 1/2 HARD ZY	4	SERIAL NUMBER 1001-1215
5	3757	LOCK NUT 1/2-13 GRC TOPLOCK ZY	2	SERIAL NUMBER 1001-1215
6	14342	SPACER	2	SERIAL NUMBER 1001-1215
7	14343	TORSION SPRING	2	SERIAL NUMBER 1001-1215
8	70932612	BOLT 3/8-16 x 2 1/2 GR8 ZY	2	SERIAL NUMBER 1001-1215
9	70918452	COTTER PIN 1/8 x 1 Z	4	SERIAL NUMBER 1001-1215
10	13754	CONVEYOR SCRAPER PIN	2	SERIAL NUMBER 1001-1215
11	13750	CHAIN SCRAPER MOUNT PLATE W/A	2	SERIAL NUMBER 1001-1215
12	13749	CHAIN SCRAPER W/A	2	SERIAL NUMBER 1001-1215
13	70918266	WASHER 3/8 ZY	14	
14	70922605	BOLT 3/8-16 x 1 1/4 GR8 ZY	7	SERIAL NUMBER 1216 & UP
15	13199	WASHER 3/8 1.5 1/4	1	SERIAL NUMBER 1216 & UP
16	22415	REAR CONVEYOR TRAY W/A	2	SERIAL NUMBER 1216 & UP

GROUP:13419

# TRACK ASSEMBLY



## TRACK ASSEMBLY

ITEM NO.	PART NO.	DESCRIPTION	QTY	REMARKS
1	12023	RH TRACK FRAME W/A	1	
	13679	LH TRACK FRAME W/A	1	
2	12061	21T TRACK SPROCKET	2	
3	12396	P385 PLANETARY (CAT P/N 210-7756 W/ COVER 18180)	2	BREAKDOWN PAGE 7.2
4	C1837529	MOTOR MMC46	2	
5	11475	TRACK ROLLER	12	
6	11476	TRACK CHAIN w/34 14" POLY SHOES	2	
	11476C1	MASTER PIN		
	11476C2	MASTER PIN SPACER		
	11476C3	RH TRACK LINK - 140MM		
	11476C4	LH TRACK LINK - 140MM		
	11476C5	TRACK SEAL - 140mm		
	11476C10	14" POLY TRACK SHOE		
	11476C11	140mm TRACK LINK AY - 34 LINKS		
	11476C12	TRACK SHOE BOLT		
	11476C13	TRACK SHOE NUT		
7	12465	TRACK TENSION CYLINDER 3x5	2	
	73161988	SEAL KIT - 3" BORE, 2" ROD	AR	
8	13310	IDLER CROSS SUPPORT W/A	2	
9	11474	TRACK IDLER w/SLIDE BARS	2	
10	4783	WASHER 5/8 1.25 HARD ZY	40	
11	13304	TRACK TENSION ACCESS COVER	2	
12	12060	TRACK ROLLER w/BEARINGS	2	
13	11118537	BOLT M16-2 x 40 GR10.9 ZY	48	
14	13362	BOLT M16-2 x 50 GR10.9 ZY	36	
15	70923752	BOLT 1/2-13 x 2 1/2 GR8 ZY	56	
16	70922744	BOLT 3/4-10 x 2 1/2 GR8 ZY	24	
17	3784	WASHER 1/2 HARD ZY	56	
18	70929188	WASHER 3/4 HARD ASTM436 ZY	48	
19	9636	LOCK NUT 3/4-10 TOPLOCK ZY	24	
20	70923485	BOLT 3/8-16 x 7/8 GR8 ZY	8	
21	70918266	WASHER 3/8 ZY	8	
22	20414	O'RING - CARTRIDGE MOTOR	AR	

GROUP:13413





## PLANETARY BREAKDOWN

ITEM NO.	PART NO.	DESCRIPTION	QTY	REMARKS
1	151-7516	PLUG-DRAIN (SPEED REDUCTION GEAR)	1	
2	151-7517	SEAL-O-RING	1	
3	207-2814	SEAL-O-RING	1	
4	207-2816	RING-BACKUP	1	
5	9W-4098	SEAL GP-DUO-CONE	1	
6	191-0529	CONE	2	
7	191-0530	CUP	2	
8	207-2813	SEAL-O-RING	1	
9	207-2815	RING-BACKUP	1	
10	177-0013	PISTON-BRAKE	1	
11	147-5582	BEARING	4	
12	191-0070	GEAR PLANETARY	4	
13	6V-5202	RING-RETAINER	4	
14	191-2293	SHAFT-PLANETARY	3	
15	191-2292	CARRIER-PLANETARY	1	
16	151-7502	WASHER-ANTIROTATION	6	
17	191-2289	GEAR PLANETARY	3	
18	151-7510	NEEDLE	108	
19	151-7500	WASHER-GEAR	6	
20	151-7505	RING-RETAINING	6	
21	191-2294	CARRIER-PLANETARY	1	
22	191-2295	GEAR PLANETARY	1	
23	151-7506	NEEDLE	54	
24	151-7504	PIN GEAR	3	
25	191-4441	KIT-SHIM (COVER PAD)	1	
26	191-2287	PAD	1	
27	6V-8754	RING RETAINING	1	
28	191-0065	GERAR-INPUT SUN	1	
29	1517501	DISC	2	
30	18180	P385 PLANETARY END CAP W/ PLUGS	1	
31	136-8638	RING-RETAINING	1	
32	136-8641	SEAL-O-RING	1	
33	191-4440	RING RETAINING	1	
34	191-2275	GEAR IINPUT RING	1	
35	096-1331	BOLT SOCKET HEAD (M10X1.5X120-MM)	32	
36	190-8501	SEAL-O-RING	2	
37	191-2280	GEAR RING	1	
38	191-2286	SHAFT INPUT	1	
39	218-9880	SHIM	1	
40	191-2284	NUT BEARING	1	
41	191-0062	SPACER	1	
42	191-0064	HOUSING ROTATING	1	
43	136-8064	DISC-FRICTION	3	
44	136-8068	DISC-MIDDLE	4	
45	191-2277	HUB	1	
46	191-2288	PLUG-ORIFICE	1	
47	207-2817	SPRING	16	
48	191-0071	COUPLING INPUT	1	
49	095-7952	RING-RETAINING	1	
50	2Y-8422	SCREW	1	
51	191-2281	WASHER-RETAINING	1	
52	191-2285	GEAR-SUN	1	
53	177-0014	DISC-RETAINING	1	
54	7U-3538	RING-RETAINING	1	
55	218-9878	SHIM	1	
56	191-0066	GEAR-SUN	1	

GROUP:12396



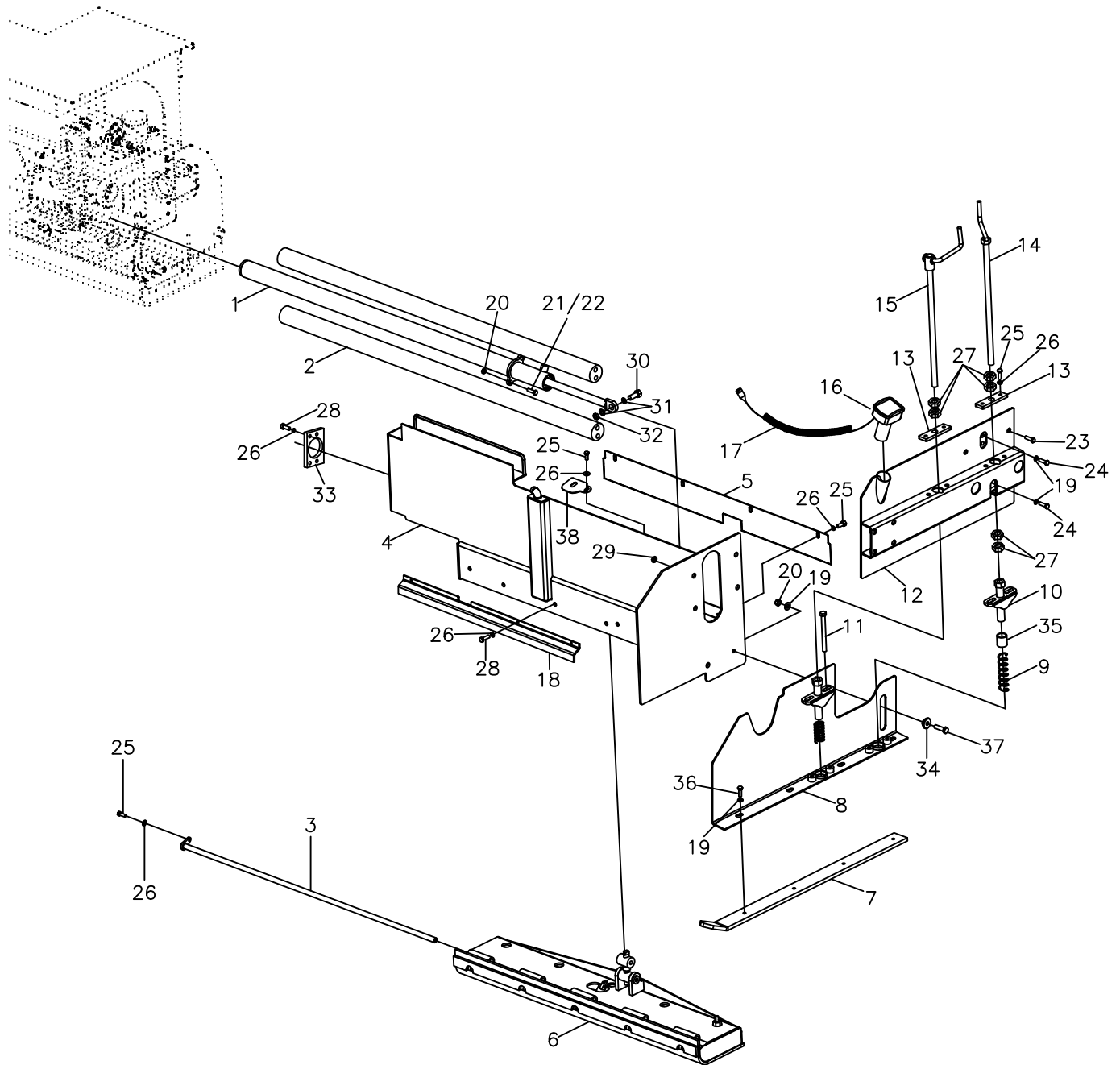
## WASHDOWN ASSEMBLY

ITEM NO.	PART NO.	DESCRIPTION	QTY	REMARKS
1	11860	SPRAY DOWN NOZZLE - ADJUSTABLE	2	HARDWARE INCLUDED
2	12475	BOLT 5/16-18 x 5/8 ZC	8	
3	3782	WASHER 5/16 ZY	8	
4	11473	HOSE REEL, 5/16x25' HOSE	1	
5	11110	12V WASHDOWN PUMP w/DEUTSCH RECEPTACLE	1	
6	6342	INLINE FUEL FILTER - 5/16" TUBE	1	
7	3573	FUEL TANK - 8 GALLON PLASTIC	1	
8	11608	FUEL CAP - NONLOCKING, VENTED	1	
9	11856	TUBE GROMMET	2	
10	70918266	WASHER 3/8 ZY	3	
11	5148	HOSE 5/16" ID FUEL LINE	30	FEET
12	73162655	WORM CLAMP 1/4 - 5/8	11	
13	4964	FITTING 1/4MNPTx5/16 HOSE BARB 90 BRASS	1	
14	11859	SPRAY DOWN HANDLE	2	HARDWARE INCLUDED
15	12283	WASH DOWN TANK MOUNT W/A	1	
16	70923490	BOLT 3/8-16 x 1 GR8 ZY	3	
17	14905	BRASS BRANCH T, 3/8" NPT	1	
18	11858	FITTING 3/8MNPTx5/16 HOSE BARB 90 BRASS	4	
19	3833	TUBING - 3/8" ID x .06 WALL PVC	1	FEET
20	6674	SCREW 10-24 x 1 PANHEAD PHILLIP ZC	4	
21	3779	WASHER #10 Z	8	
22	3753	LOCK NUT 10-24 NYLOCK Z	4	
23	11855	DAPCO FUEL TANK FITTING	2	

GROUP:13429

# EXTENSION SCREED ASSEMBLY

S/N 1001-1172, 1174-1183



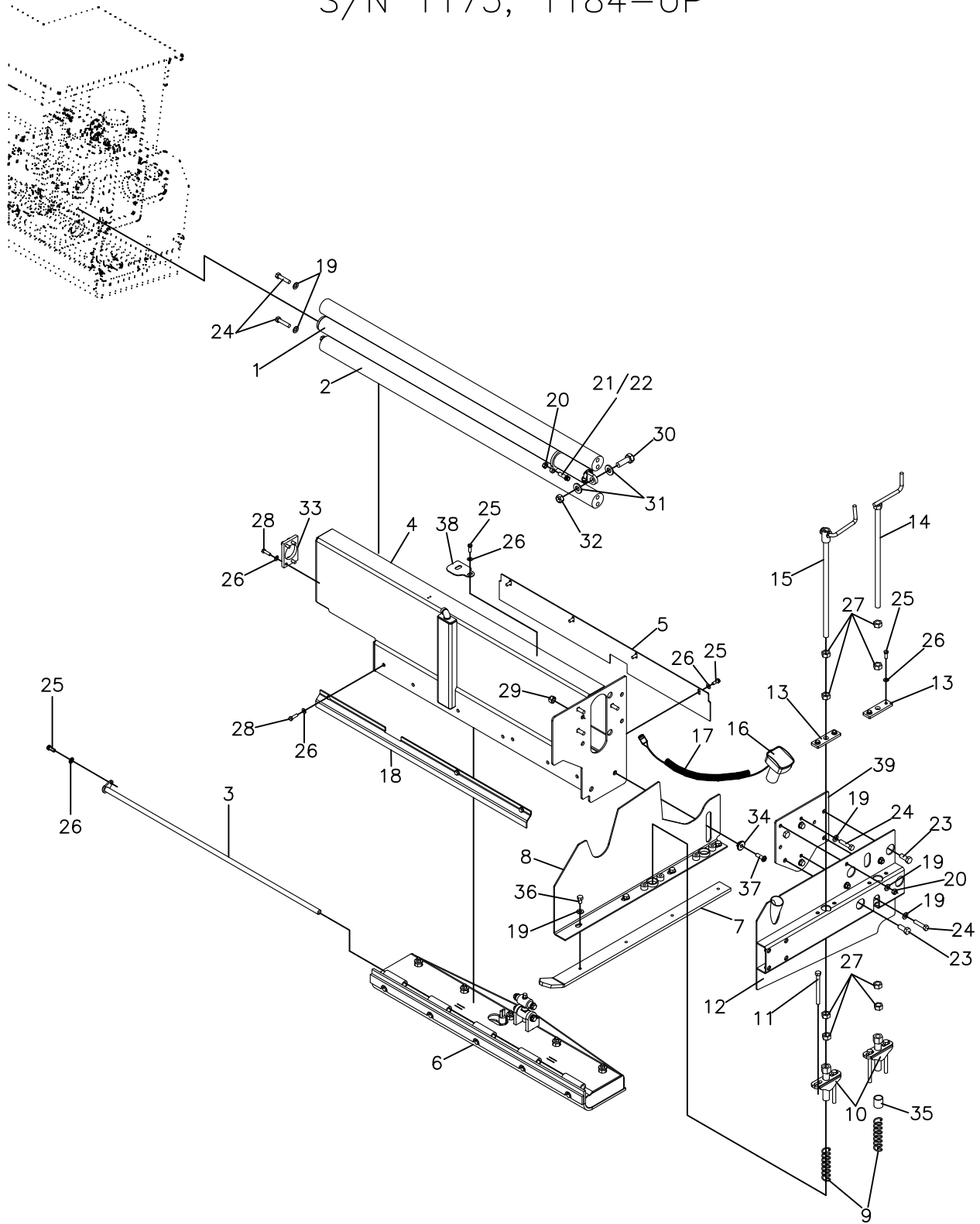
**EXTENSION SCREED ASSEMBLY**  
**S/N 1001-1172, 1174-1183**

ITEM NO.	PART NO.	DESCRIPTION	QTY	REMARKS
1	11509	LH EXT CYLINDER 2x46	1	
	13104	SEAL KIT 2" CYLINDER, 1" ROD	AR	
	11510	RH EXT CYLINDER 2x46	1	
	13104	SEAL KIT 2" CYLINDER, 1" ROD	AR	
2	12132	CHROME SLIDER BAR	4	
3	12431	EXTENSION PIVOT PIN W/A	2	
4	12180	LH EXT MAIN FRAME W/A	1	
	12350	RH MAIN FRAME EXT W/A	1	
5	13852	MATERIAL BLOCKING PLATE	2	S/N 1001-1028
	18103	LH BACK SCREED COVER	1	S/N 1029-UP
	18104	RH BACK SCREED COVER	1	S/N 1029-UP
6		EXTENSION SCREED SUB-ASSEMBLY	2	BREAKDOWN PAGE 9.6
7	12393	END GATE WEAR SKI PLATE	2	
8	18270	LH END GATE W/A	1	
	18269	RH END GATE W/A	1	
9	13789	COMPRESSION SPRING 1.1id x 6.0LG 48#/in	4	
10	12385	SPRING MOUNT W/A	4	
11	12424	BOLT 1/2-13 x 5 1/2 ZY	8	
12	12380	LH JACK MOUNT W/A	1	
	12383	RH JACK MOUNT W/A	1	
13	12377	CRANK HOLDER PLATE	4	
14	11038	DOOR LIFT ROD W/A	2	
15	13792	CRANK	2	
16	12212	SONIC SENSOR	2	
17	12213	1.5' -7.5' 6 WIRE COILED CABLE	2	
18	13768	FRONT EXTENSION GAURD	2	
19	3784	WASHER 1/2 HARD ZY	26	
20	3757	LOCK NUT 1/2-13 GRC TOPLOCK ZY	6	
21	C6J2515	BOLT 1/2-13 x 2 1/4 12-PT	2	
22	C4K5175	BOLT 1/2-13 x 1 1/2 12-PT	2	
23	70921411	BOLT 5/8-11x 1 1/2 GR 8 ZY	8	
24	70927469	BOLT 1/2-13 x 2 1/4 GR8 ZY	16	
25	70923490	BOLT 3/8-16 x 1 GR8 ZY	20	
26	70918266	WASHER 3/8 ZY	34	
27	70930912	NUT 3/4-10 ZY	16	
28	70922605	BOLT 3/8-16 x 1 1/4 GR8 ZY	14	
29	3758	LOCK NUT 5/8-11 G8 TOPLOCK ZY	6	
30	70921068	BOLT 3/4-10 x 2 1/4 GR8 ZY	2	
31	70929188	WASHER 3/4 HARD ASTM436 ZY	4	
32	9636	LOCK NUT 3/4-10 TOPLOCK ZY	2	
33	14870	UHMW GUIDE PLATE	2	
34	8819	PIVOT BUSHING	2	
35	18290	SPACER TUBE	2	
36	70926115	BOLT 1/2-13 x 3/4 ZY	8	
37	C1338106	BOLT 1/2-13 x 1 1/2 RND HD ZC	2	
38	18617	LH EXTENSION ANGLE LOCK	1	
	18618	RH EXTENSION ANGLE LOCK	1	

GROUP:XXXXX

# EXTENSION SCREED ASSEMBLY

S/N 1173, 1184-UP

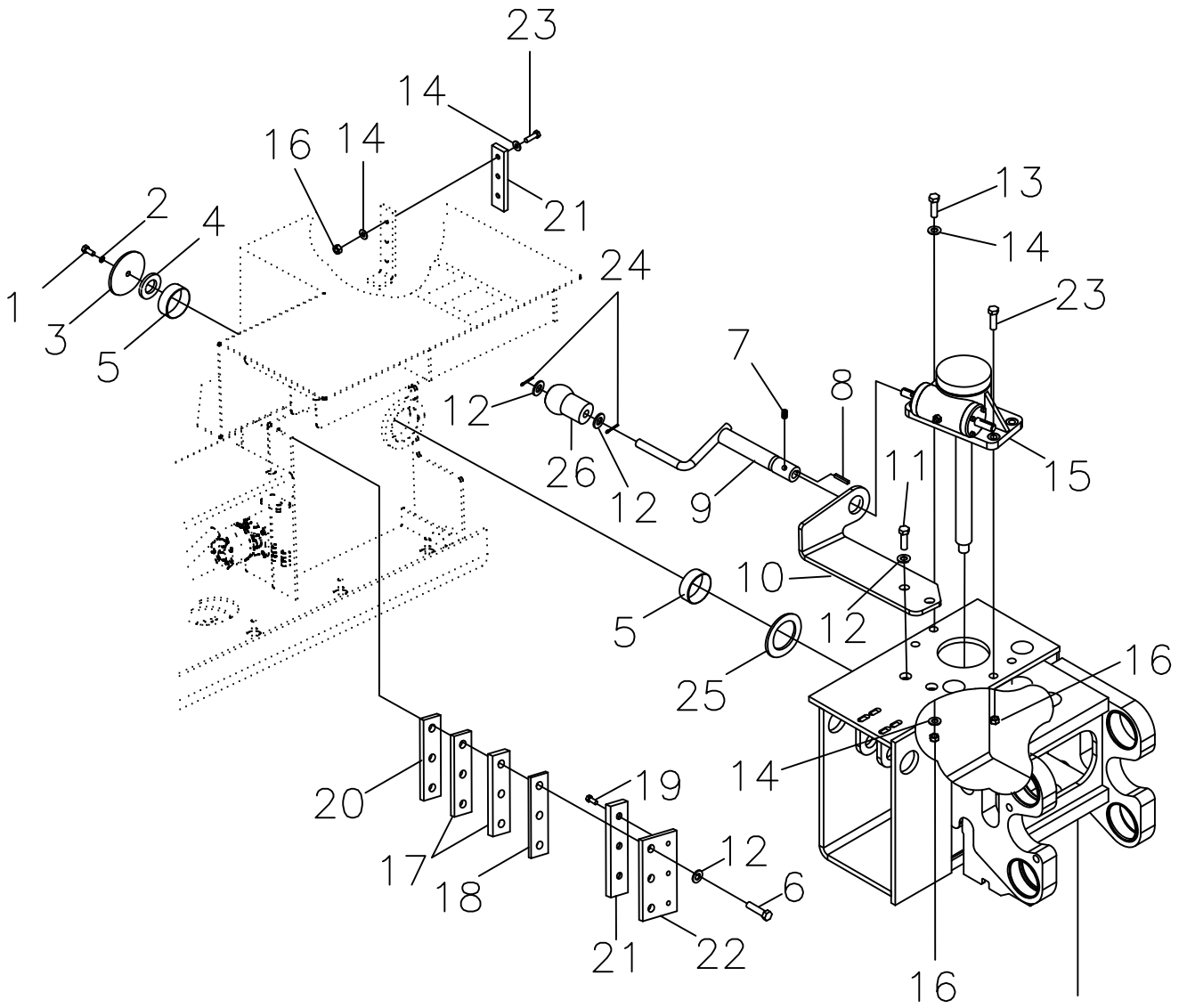


**EXTENSION SCREED ASSEMBLY**  
**S/N 1173, 1184-UP**

ITEM NO.	PART NO.	DESCRIPTION	QTY	REMARKS
1	11509	LH EXT CYLINDER 2x46	1	
	13104	SEAL KIT 2" CYLINDER, 1" ROD	AR	
	11510	RH EXT CYLINDER 2x46	1	
	13104	SEAL KIT 2" CYLINDER, 1" ROD	AR	
2	12132	CHROME SLIDER BAR	4	
3	12431	EXTENSION PIVOT PIN W/A	2	
4	12180	LH EXT MAIN FRAME W/A	1	S/N 1001-1172, 1174-1183
	12350	RH EXT MAIN FRAME W/A	1	S/N 1001-1172, 1174-1183
	21542	LH EXTENSION MAINFRAME	1	S/N 1173, 1184-UP
	21543	RH EXTENSION MAINFRAME	1	S/N 1173, 1184-UP
5	13852	MATERIAL BLOCKING PLATE	2	S/N 1001-1028
	18103	LH BACK SCREED COVER	1	S/N 1029-UP
	18104	RH BACK SCREED COVER	1	S/N 1029-UP
6		EXTENSION SCREED SUB ASSEMBLY	2	BREAKDOWN PAGE 9.6
7	12393	END GATE WEAR SKI PLATE	2	
8	18270	LH END GATE W/A	1	S/N 1001-1172, 1174-1183
	18269	RH END GATE W/A	1	S/N 1001-1172, 1174-1183
	20358	LH END GATE W/A	1	S/N 1173, 1184-UP
	20359	RH END GATE W/A	1	S/N 1173, 1184-UP
9	13789	COMPRESSION SPRING 1.1id x 6.0LG 48#/in	4	
10	12385	SPRING MOUNT W/A	4	
11	12424	BOLT 1/2-13 x 5 1/2 ZY	8	
12	12380	LH JACK MOUNT W/A	1	S/N 1001-1172, 1174-1183
	12383	RH JACK MOUNT W/A	1	S/N 1001-1172, 1174-1183
	20356	LH JACK MOUNT W/A	1	S/N 1173, 1184-UP
	20357	RH JACK MOUNT W/A	1	S/N 1173, 1184-UP
13	12377	CRANK HOLDER PLATE	4	
14	11038	DOOR LIFT ROD W/A	2	
15	13792	CRANK	2	
16	12212	SONIC SENSOR	2	
17	12213	1.5' -7.5' 6 WIRE COILED CABLE	2	
18	13768	FRONT EXTENSION GAURD	2	
19	3784	WASHER 1/2 HARD ZY	30	
20	3757	LOCK NUT 1/2-13 GRC TOPLOCK ZY	10	
21	C6J2515	BOLT 1/2-13 x 2 1/4 12-PT	2	
22	C4K5175	BOLT 1/2-13 x 1 1/2 12-PT	2	
23	70921411	BOLT 5/8-11x 1 1/2 GR 8 ZY	8	
24	70927469	BOLT 1/2-13 x 2 1/4 GR8 ZY	16	
25	70923490	BOLT 3/8-16 x 1 GR8 ZY	20	
26	70918266	WASHER 3/8 ZY	34	
27	70930912	NUT 3/4-10 ZY	16	
28	70922605	BOLT 3/8-16 x 1 1/4 GR8 ZY	14	
29	3758	LOCK NUT 5/8-11 GC TOPLOCK ZY	6	
30	70921068	BOLT 3/4-10 x 2 1/4 GR8 ZY	2	
31	70929188	WASHER 3/4 HARD ASTM436 ZY	4	
32	9636	LOCK NUT 3/4-10 TOPLOCK ZY	2	
33	14870	UHMW GUIDE PLATE	2	
34	8819	PIVOT BUSHING	2	
35	18290	SPACER TUBE	2	
36	70926115	BOLT 1/2-13 x 3/4 ZY	8	
37	C1338106	BOLT 1/2-13 x 1 1/2 RND HD ZC	2	
38	18617	LH EXTENSION ANGLE LOCK	1	
	18618	RH EXTENSION ANGLE LOCK	1	
39	20354	JACK MOUNT LHS	1	S/N 1173, 1184-UP
	20355	JACK MOUNT LHS	1	S/N 1173, 1184-UP

GROUP:XXXXX

# SLIDE AND PIVOT ASSEMBLY



NOTE: SEE  
BREAKDOWN  
ON PAGE 9.3



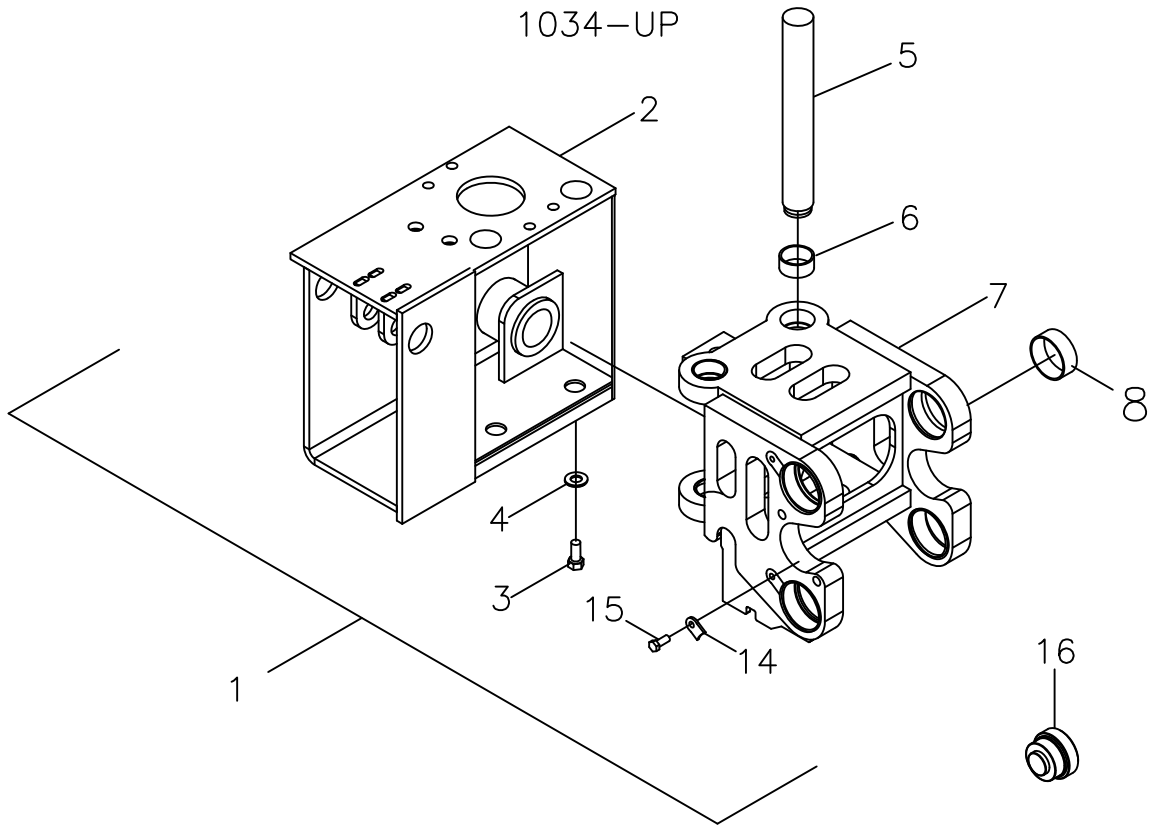
## SLIDE AND PIVOT ASSEMBLY

ITEM NO.	PART NO.	DESCRIPTION	QTY	REMARKS
1	70921411	BOLT 5/8-11x 1 1/2 GR 8 ZY	2	
2	4783	WASHER 5/8 1.25 HARD ZY	2	
3	12363	SLOPE CAP	2	
4	15339	WASHER 5/8x2.75-.06th ZY	AR	
5	73156936	BEARING 3.00 3.188 1.0 GARLOCK	4	
6	C8T9389	BOLT 1/2-13 x 2 3/4 GR8 ZC	6	
7	6086	SETSCREW 3/8-16x1/2	2	
8	13843	KEY 1/8 x 3/4	2	
9	12500	JOINT MATCH CRANK	2	
10	13357	CRANK GUIDE	1	
	13358	CRANK GUIDE	1	
11	70923493	BOLT 1/2-13 x 1.12 GR8 ZY	4	
12	3784	WASHER 1/2 HARD ZY	14	
13	70923470	BOLT 3/8-16 x 1 1/2 GR8 ZY	4	
14	70918266	WASHER 3/8 ZY	20	
15	12105	ACTUATOR, 2 TON (SAME AS CAT 196-2503)	2	INCLUDES ITEM 8
16	3756	LOCK NUT 3/8-16 TOPLOCK ZY	14	
17	12677	SPACER	4	
18	15347	SHIM SLOPE GUIDE	AR	
19	70928181	BOLT 3/8-16 x 5/8 GR8 ZY	6	
20	12678	SPACER	2	
21	12680	UHMW RUB STRIP	4	
22	12679	CAP RETAINER	2	
23	70922605	BOLT 3/8-16 x 1 1/4 GR8 ZY	10	
24	70918448	COTTER PIN 3/32 x1	4	
25	C1S4926	WASHER 3.03ID 3.88OD .035	AR	
26	15950	SPINNER KNOB	2	

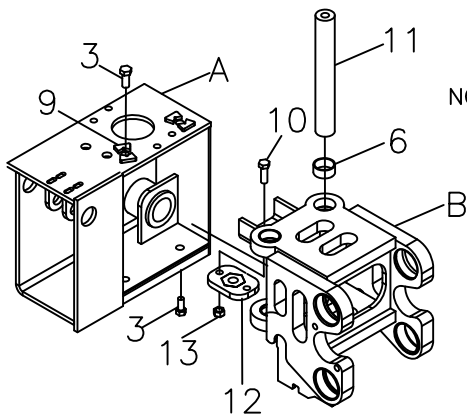
GROUP:XXXXX

# SLIDE AND PIVOT BREAKDOWN

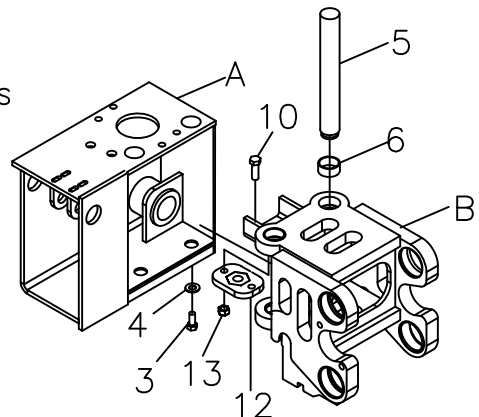
SERIAL NUMBER  
1034-UP



SERIAL NUMBER  
1001-1023



SERIAL NUMBER  
1024-1033



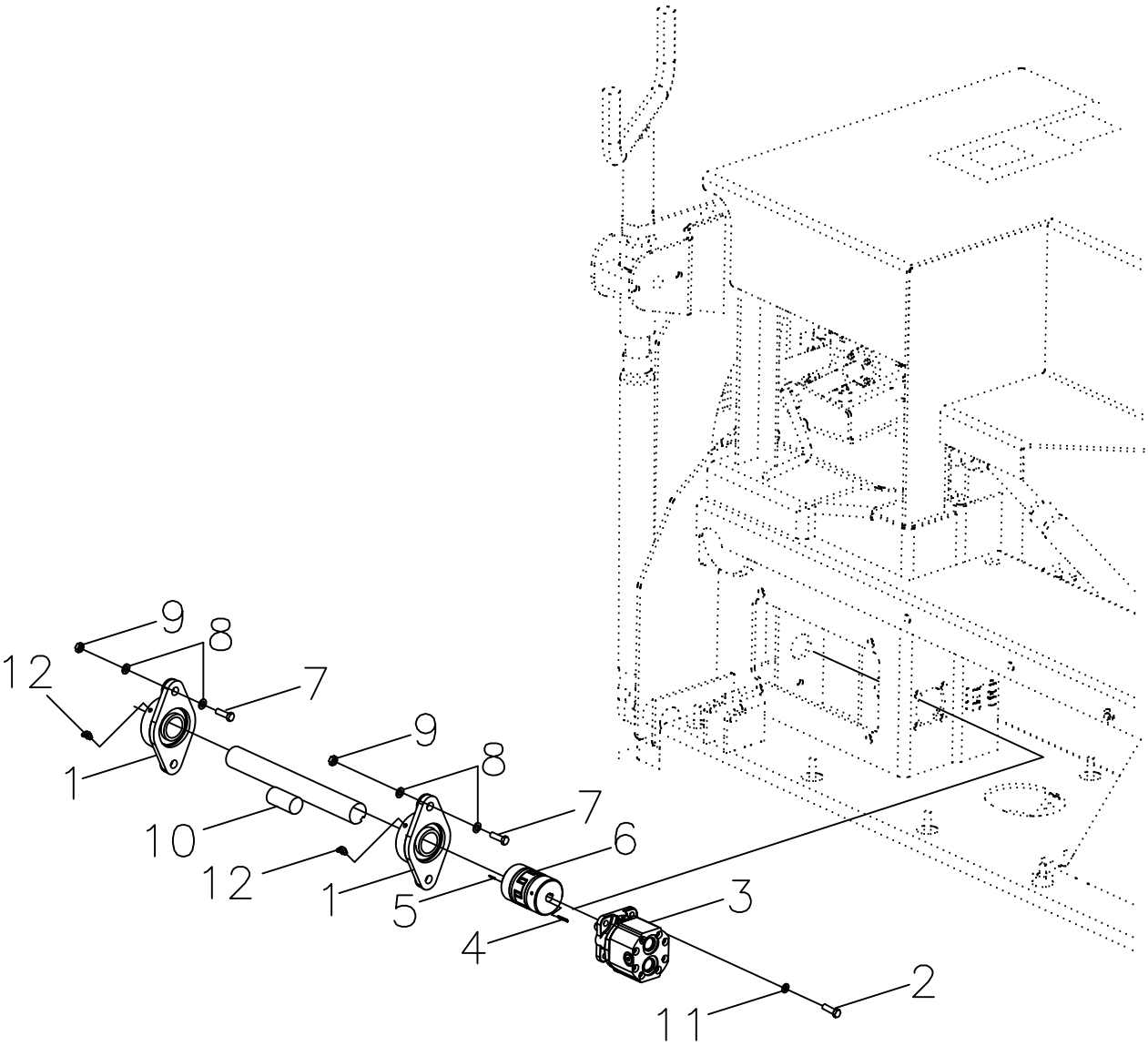
NOTE: IF ORDERING ITEMS  
"A" AND/OR "B"  
UPDATE TO KIT #1

## SLIDE AND PIVOT BREAKDOWN

ITEM NO.	PART NO.	DESCRIPTION	QTY	REMARKS
1	18126	SCREED SLOPE BOX KIT LHS	1	INCLUDES ITEMS 2-8, 14 & 15
	18127	SCREED SLOPE BOX KIT RHS	1	INCLUDES ITEMS 2-8, 14 & 15
2	12169	LH SLOPE PIVOT W/A	1	
	12170	RH SLOPE PIVOT W/A	1	
3	70921411	BOLT 5/8-11x 1 1/2 GR 8 ZY	4	
4	17844	WASHER .629 1.375 .132 ZY	4	
5	17836	LIFT ROD	4	
6	12108	BEARING 1 1/2 ID 1.6887 OD 3/4 DURALON	8	
7	12119	LH SLIDER SUBWELD	1	
	12126	RH SLIDER SUBWELD	1	
8	12109	BEARING 2 1/2 ID 2.6887 OD 1 DURALON	8	
9	14320	BOLT RETAINER	8	
10	70923154	BOLT 1/2-13 x 1 1/2 GR8 ZY	2	
11	12176	LIFT ROD	4	
12	12499	NUT PLATE WELD	2	
13	3757	LOCK NUT 1/2-13 GRC TOPLOCK ZY	4	
14	18106	RETAINER CLIP	8	
15	70928181	BOLT 3/8-16 x 5/8 GR8 ZY	8	
16	18164	BEARING DRIVER FIBER SCREED SLIDERS	AR	FOR INSTALLING ITEMS 6 & 8

GROUP:14316 & 14317

# VIBRATOR ASSEMBLY

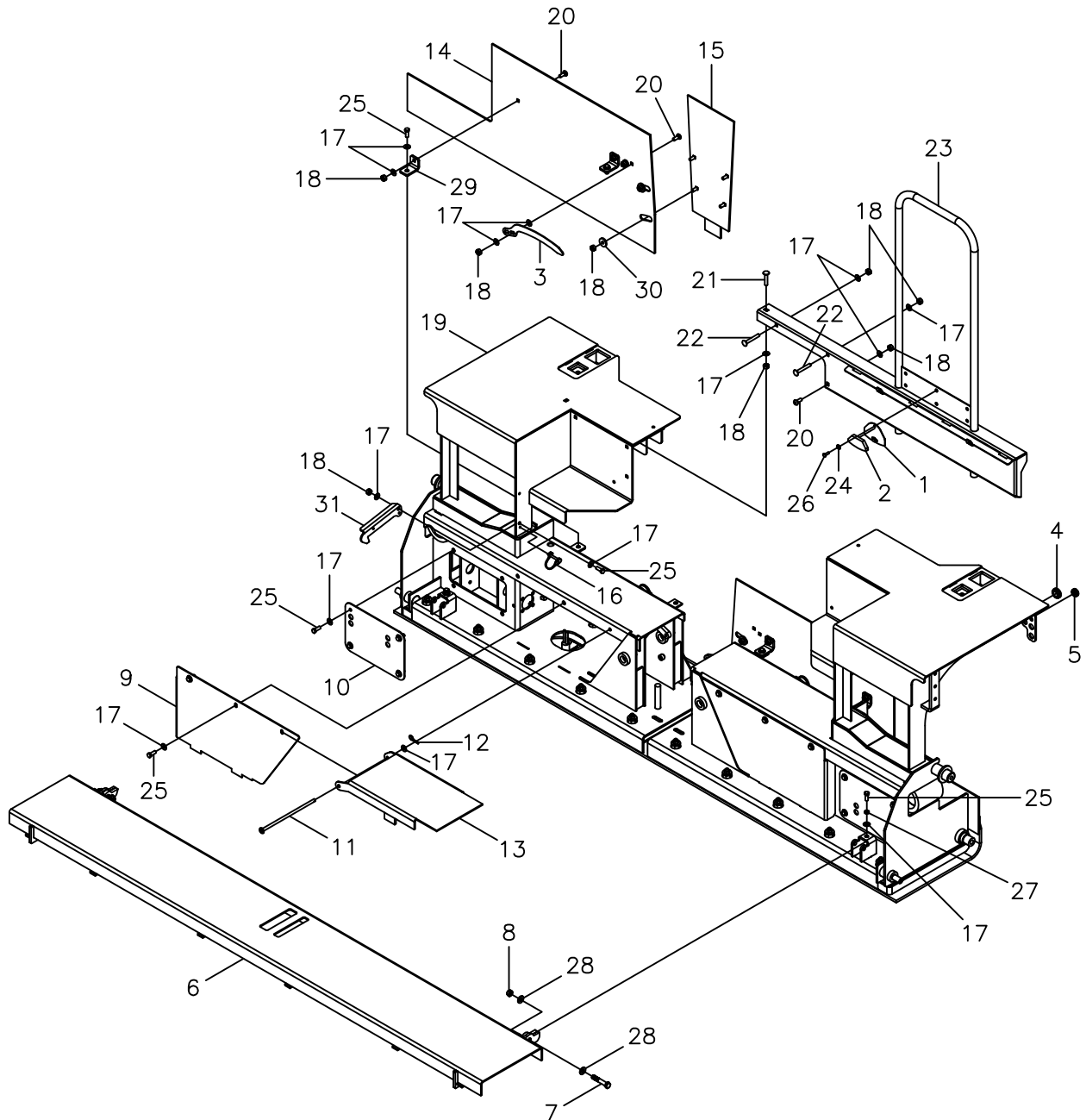


## VIBRATOR ASSEMBLY

ITEM NO.	PART NO.	DESCRIPTION	QTY	REMARKS
1	C28Y32	BALL BEARING 1 1/4 2-BOLT FLANGE	4	
2	14679	BOLT 5/16-18 x 7/8 ZY	8	
3	C3082125	HYD. MOTOR, .38CID	2	INCLUDES ITEM 4
4	18133	KEY 1/8 x 1	2	
5	7096	KEY 1/4x1	2	
6	12399	JAW COUPLING ASSY, #24 ROTEX	2	
7	70923470	BOLT 3/8-16 x 1 1/2 GR8 ZY	8	
8	70918266	WASHER 3/8 ZY	16	
9	3756	LOCK NUT 3/8-16 TOPLOCK ZY	8	
10	12375	VIBRATOR SHAFT W/A	2	
11	3782	WASHER 5/16 ZY	8	
12	16962	ZERK 1/4-28 45 degree ZY	4	

GROUP:18131

# SCREED COVERS & WALKWAY ASSEMBLY

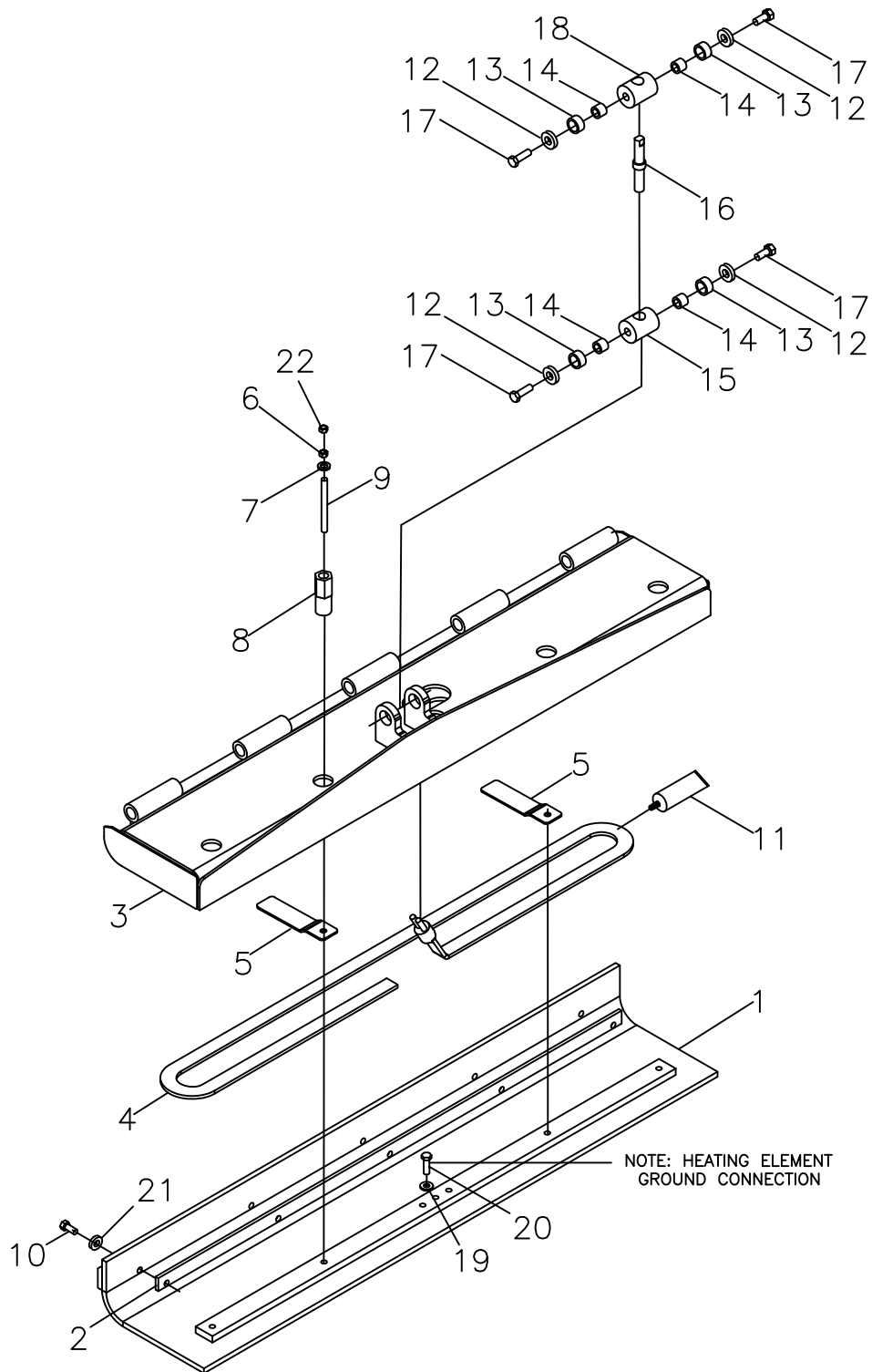


## SCREED COVERS & WALKWAY ASSEMBLY

ITEM NO.	PART NO.	DESCRIPTION	QTY	REMARKS
1	18348	SLOPE GAUGE PLATE	1	
2	C2243969	SLOPE GAUGE	1	
3	18373	CROWN INDICATOR	1	
4	7220	GROMMET 3/4id 1.06GROOVE 3/16 SLOT	1	
5	7221	GROMMET 1/2id .81GROOVE 3/16 SLOT	1	
6	12495	WALKWAY W/A KIT	1	SERIAL NUMBER 1001-1188
	21581	WALKWAY W/A	1	SERIAL NUMBER 1189 & UP
7	C8T9389	BOLT 1/2-13 x 2 3/4 GR8 ZC	2	SERIAL NUMBER 1001-1188
	17980	BOLT 3/4-10 x 3 GR8 ZY	2	SERIAL NUMBER 1189 & UP
8	3757	LOCK NUT 1/2-13 GRC TOPLOCK ZY	2	SERIAL NUMBER 1001-1188
	9636	LOCK NUT 3/4-10 TOPLOCK ZY	2	SERIAL NUMBER 1189 & UP
9	12372	LH SCREED SHIELD PLATE	1	
	12373	RH SCREED SHIELD PLATE	1	
10	12610	VIB COVER PLATE	2	
11	13886	PIVOT BAR W/A	1	
12	14688	HAIR PIN .69 1.88 .09 ZY	1	
13	15591	WALK WAY COVER	1	
14	13520	FRONT BLOCKER LHS	1	
	13524	FRONT BLOCKER RHS	1	
15	13525	CENTER BLOCKER	1	
16	7381	SAFETY SNAP PIN - 1/4" x 1 3/8" WIRE LOCK	1	
17	70918266	WASHER 3/8 ZY	36	
18	3756	LOCK NUT 3/8-16 GRB CENTER LOCK ZY	15	
19	12140	LH MAIN SCREED STRUCTURE W/A	1	
	12160	RH MAIN SCREED STRUCTURE W/A	1	
20	7298	CARRIAGE BOLT 3/8-16 x 1 ZY	7	
21	15144	CARRIAGE BOLT 3/8-16 x 2	1	
22	15145	CARRIAGE BOLT 3/8-16 x 2 3/4	2	
23	14850	SCREED GRAB HANDLE	1	
24	70918264	WASHER 1/4 ZY	2	
25	70923490	BOLT 3/8-16 x 1 GR8 ZY	20	
26	3759	BOLT 1/4-20 x 3/4 ZY	2	
27	70917421	JAM NUT 3/8-16 ZY	2	
28	3784	WASHER 1/2 HARD ZY	4	SERIAL NUMBER 1001-1188
	70927382	WASHER 3/4 1.25 .12 HARDENED ZY	4	SERIAL NUMBER 1189 & UP
29	14880	TAB	4	
30	4115	WASHER 3/8 1.25 .19 ZY	4	
31	18253	STEP LATCH	1	

GROUP:XXXXX

# EXTENSION SCREED SUB-ASSEMBLY



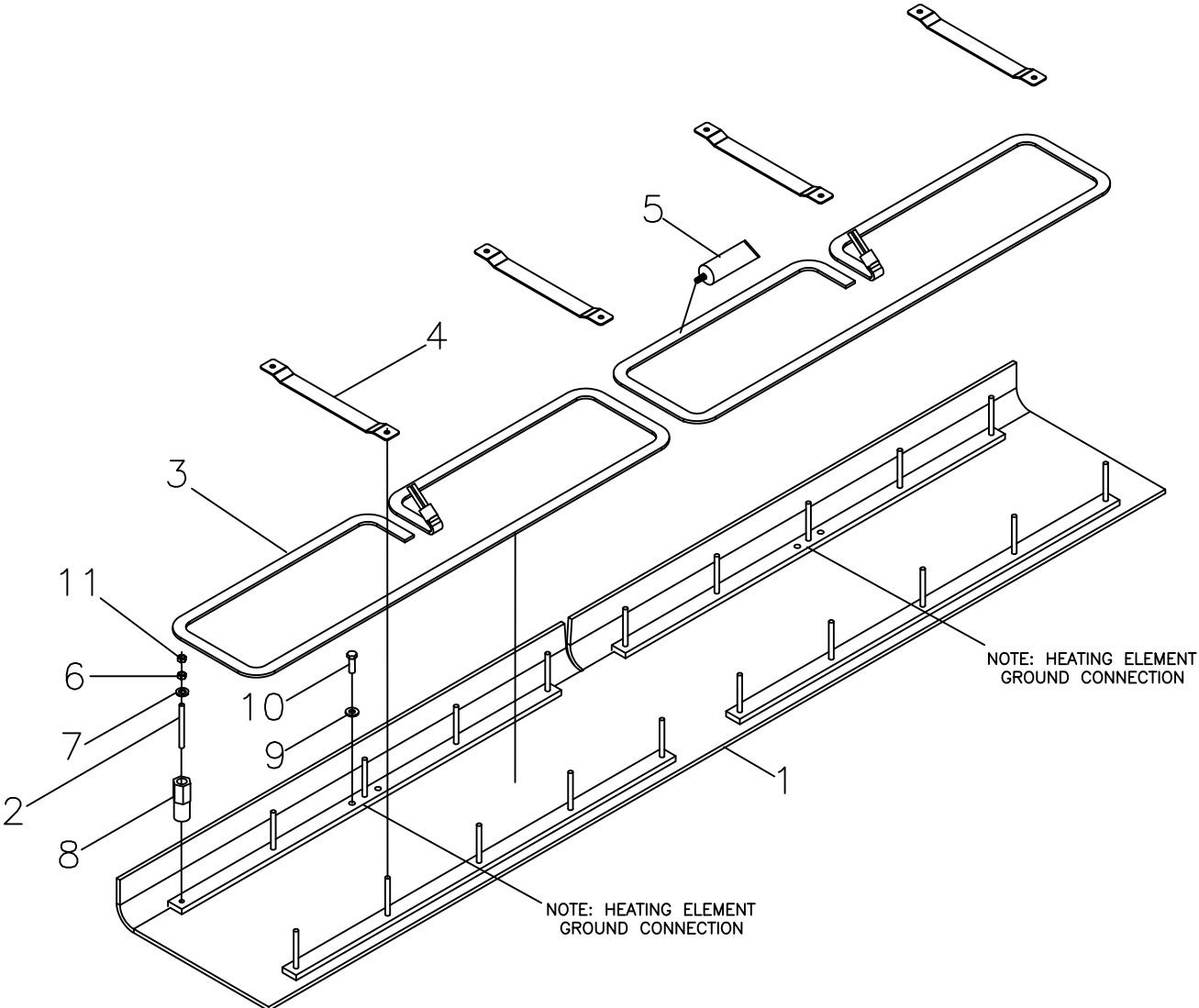


## EXTENSION SCREED SUB-ASSEMBLY

ITEM NO.	PART NO.	DESCRIPTION	QTY	REMARKS
1	12135	EXTENSION SCREED PLATE W/A	1	
2	12705	SPACER PLATE	1	
3	12355	EXT SCREED STRUCTURE W/A	1	
4	14690	4 x 40 HEAT ELEMENT, 1600W	1	
5	12704	EXTENSION SCREED ELEMENT HOLD DOWN	2	
6	70916950	NUT 3/8-16 Z	5	
7	4115	WASHER 3/8 1.25 .19 ZY	5	
8	12362	SCREED ADJUSTER	5	
9	12174	STUD 3/8-16 x 4 ZY	5	
10	70923470	BOLT 3/8-16 x 1 1/2 GR8 ZY	5	
11	13855	HEAT SINK COMPOUND 5 OZ TUBE	AR	AS REQUIRED
12	3784	WASHER 1/2 HARD ZY	4	
13	12366	BRONZE BUSHING .75id 1.00od - .50	4	
14	12367	PIVOT TUBE	4	
15	12364	RH THREAD ADJUSTER	1	
16	12368	DOUBLE STUD	1	
17	70923493	BOLT 1/2-13 x 1.12 GR8 ZY	4	
18	12365	LH THREAD ADJUSTER	1	
19	70918266	WASHER 3/8 ZY	1	
20	70928181	BOLT 3/8-16 x 5/8 GR8 ZY	1	
21	70920158	WASHER 3/8 13/16 .09th HARD ZY	5	
22	70917421	JAM NUT 3/8-16 ZY	5	

GROUP:XXXXX

# MAIN SCREED SUB-ASSEMBLY

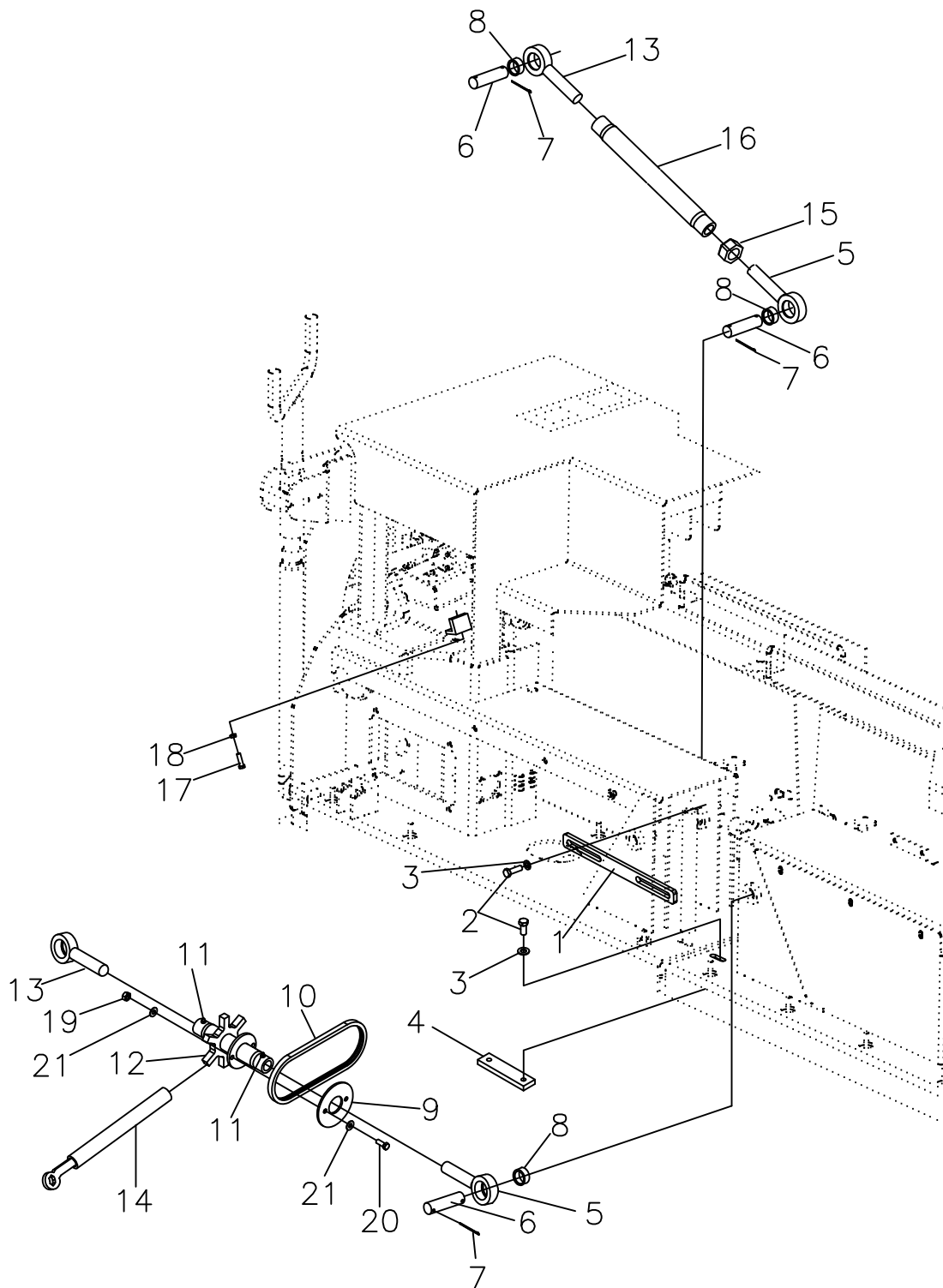


## MAIN SCREED SUB-ASSEMBLY

ITEM NO.	PART NO.	DESCRIPTION	QTY	REMARKS
1	12130	MAIN SCREED W/A	1	
2	12174	STUD 3/8-16 x 4 ZY	20	
3	C3017441	10 x 46 HEAT ELEMENT	2	
4	12173	MAIN SCREED ELEMENT HOLD DOWN	4	
5	13855	HEAT SINK COMPOUND 5 OZ TUBE	AR	AS REQUIRED
6	70916950	NUT 3/8-16 Z	20	
7	4115	WASHER 3/8 1.25 .19 ZY	20	
8	12362	SCREED ADJUSTER	20	
9	70918266	WASHER 3/8 ZY	2	
10	70928181	BOLT 3/8-16 x 5/8 GR8 ZY	2	
11	70917421	JAM NUT 3/8-16 ZY	20	

GROUP:XXXXX

# SLOPE & CROWN ADJUSTMENT ASSEMBLY

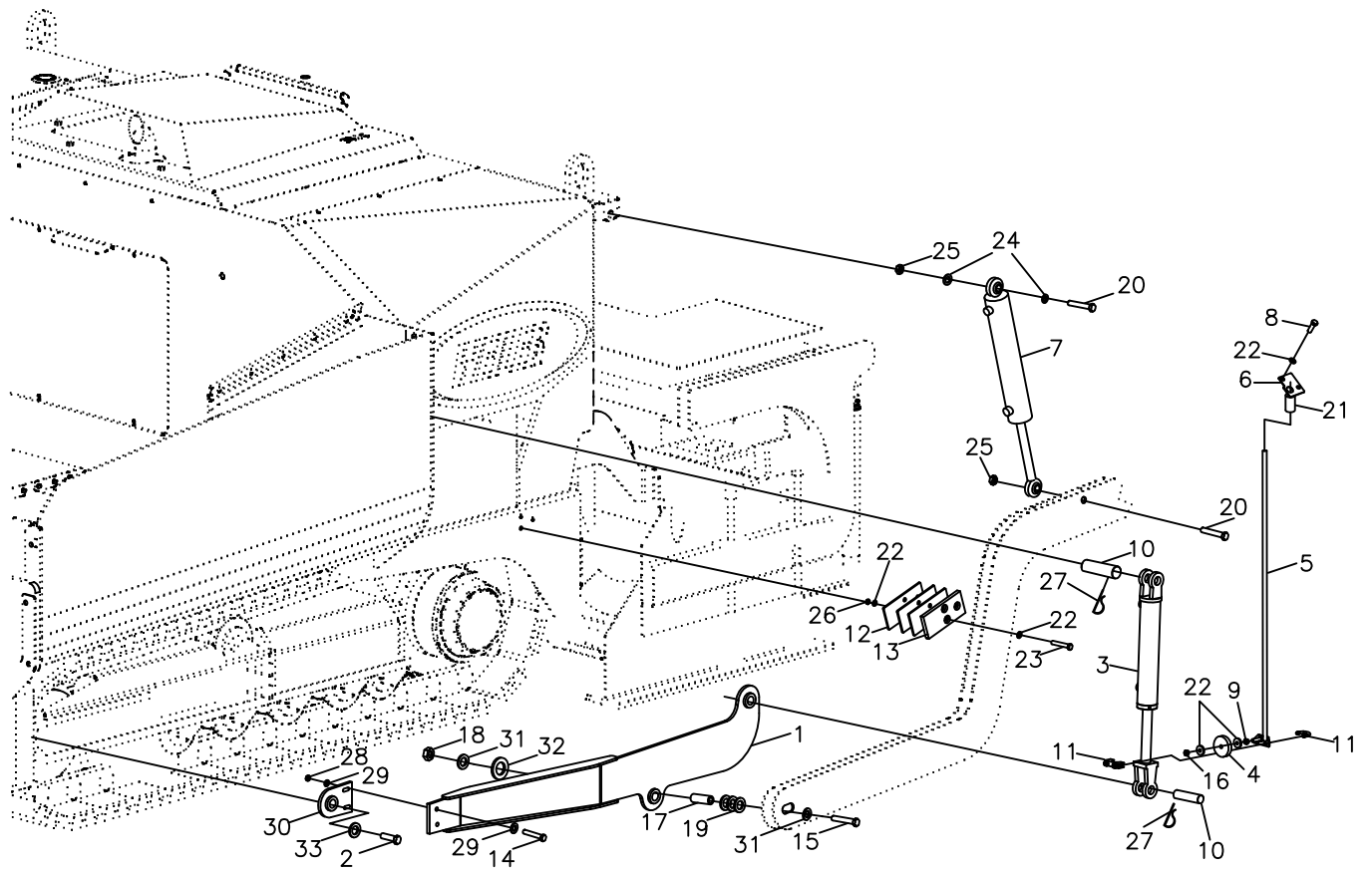


## SLOPE & CROWN ADJUSTMENT ASSEMBLY

ITEM NO.	PART NO.	DESCRIPTION	QTY	REMARKS
1	15593	CROWN BAR	1	
2	70923493	BOLT 1/2-13 x 1.12 GR8 ZY	4	
3	3784	WASHER 1/2 HARD ZY	4	
4	13851	CROWN LOCK PLATE	1	
5	12111	RIGHT HAND TURNBUCKLE END	4	
6	12739	PIN FOR SLOPE	8	
7	14653	COTTER PIN 5/32 x 1 3/4 ZY	16	
8	70654453	BALL BUSHING 1"	8	
9	12369	SPROCKET 35A36	2	
10	12425	CHAIN, #35 x 73 PITCHES W/ MASTER & HALF LINK	1	
11	70914465	ZERK 1/8NPT	8	
12	12175	CROWNING TURNBUCKLE W/A	2	INCLUDES ITEM 11
13	12112	LEFT HAND TURNBUCKLE END	4	
14	13771	CROWN TOOL	1	
15	C1D6306	JAM NUT 1-8 Z	2	
16	12115	TURNBUCKLE CENTER	2	INCLUDES ITEM 11
17	70921898	BOLT 1/2-13 x 2 GR8 ZY	2	
18	70913744	JAM NUT 1/2-13 Z	2	
19	3756	LOCK NUT 3/8-16 GRBTOPLOCK ZY	4	
20	70923490	BOLT 3/8-16 x 1 GR8 ZY	4	
21	70918266	WASHER 3/8 ZY	8	

GROUP:XXXXX

# FRONT TOW ARM ASSEMBLY

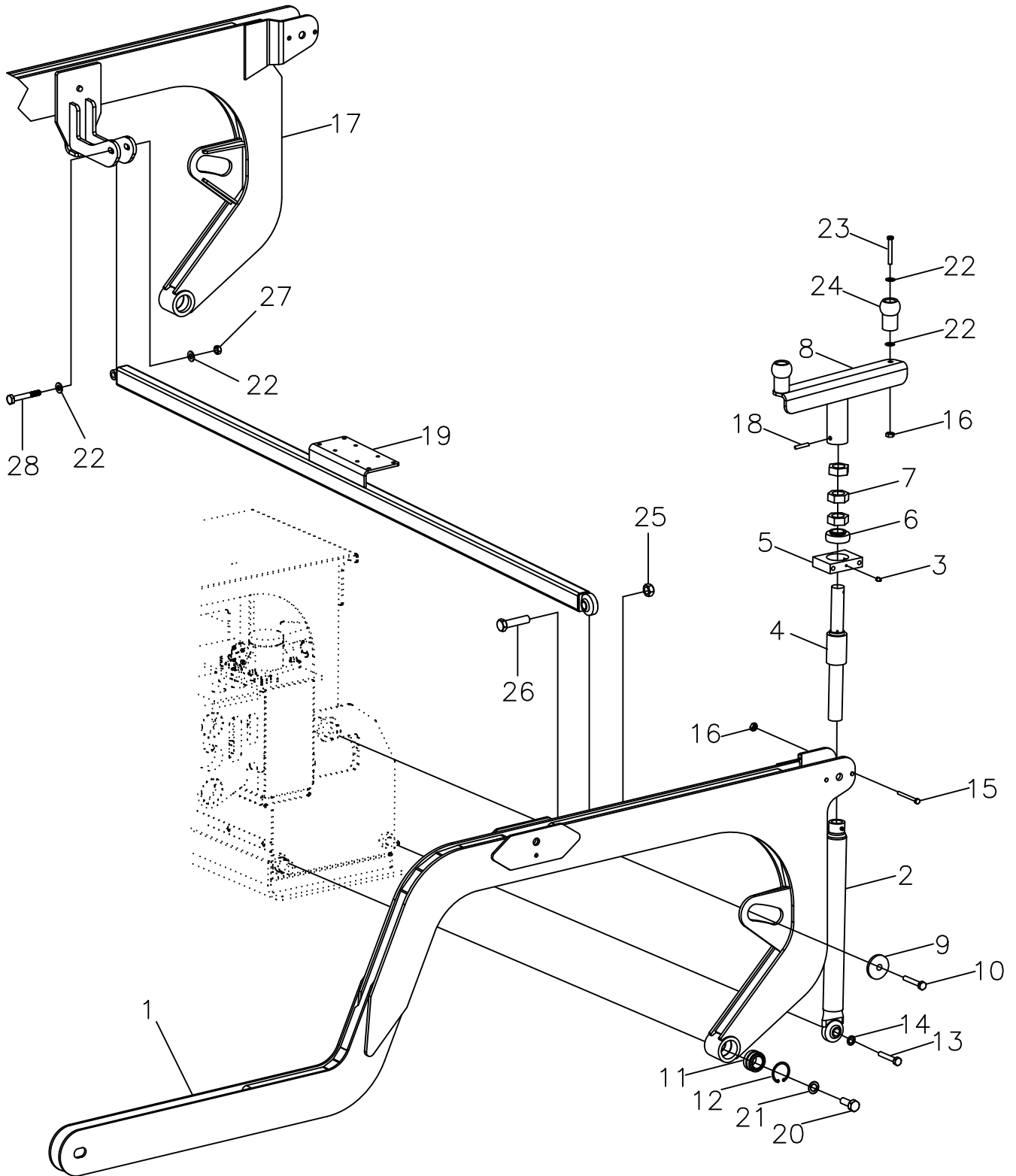


## FRONT TOW ARM ASSEMBLY

ITEM NO.	PART NO.	DESCRIPTION	QTY	REMARKS
1	12290	LH TOW ARM W/A	1	
	12285	RH TOW ARM W/A	1	
2	70923493	BOLT 1/2-13 x 1.12 GR8 ZY	2	
3	C2239754	CYLINDER 2x8	2	INCLUDES ITEM 10
	C2239754C6	RETAINING RING	AR	
	C2239754C7	SEAL KIT	AR	
4	13563	ROLLER	2	
5	13777	LH SIGHT GAGE W/A	1	
	13567	SIGHT GAGE W/A	1	
6	14450	BUSHING RETAINER CAP	2	
7	12412	CYLINDER 2 1/2 x 12	2	
	73152576	SEAL KIT 2 1/2 CYLINDER, 1" ROD	AR	
8	70923485	BOLT 3/8-16 x 7/8 GR8 ZY	4	
9	70917421	JAM NUT 3/8-16 ZY	2	
10	C28R12	CLEVIS PIN 1.0 x 2 3/8 Z	4	
11	13568	MUFFLER CLAMP 1- 1/8"	2	
12	13691	TOW ARM BUMPER SHIM	6	
13	7939	WEAR PLATE UHMW	2	
14	70923154	BOLT 1/2-13 x 1 1/2 GR8 ZY	4	
15	3792	BOLT 5/8-11 x 4 1/2 GR8 ZY	2	
16	3756	LOCK NUT 3/8-16 TOPLOCK ZY	2	
17	13548	RND TUBE 1.00dx7GAw - 2.85	2	
18	3758	LOCK NUT 5/8-11 G8 TOPLOCK ZY	2	
19	13549	WASHER 1.0x1.75 - .18th ZY	4	
20	7516	BOLT 3/4-10 x 3 1/2 ZY	4	
21	14451	BUSHING 1.13 .56 2.0L UHMW	2	
22	70918266	WASHER 3/8 ZY	20	
23	70922287	BOLT 3/8-16 x 1 3/4 GR8 ZY	6	
24	70929188	WASHER 3/4 HARD ASTM436 ZY	4	
25	9636	LOCK NUT 3/4-10 TOPLOCK ZY	4	
26	3756	LOCK NUT 3/8-16 TOPLOCK ZY	6	
27	11147	HAIR PIN .148 x 2 11/16 ZY	4	
28	3757	LOCK NUT 1/2-13 GRC TOPLOCK ZY	4	
29	3784	WASHER 1/2 HARD ZY	8	
30	14989	TOWARM PIVOT W/A	2	
31	13662	WASHER 5/8 x 2 1/2 - 1/4th	4	
32	C4B5278	WASHER 1.06 2.5 5/32 ZY	2	
33	10995	WASHER .56 X 1.38 - .19YZ	2	

GROUP:13428

# REAR TOW ARM ASSEMBLY



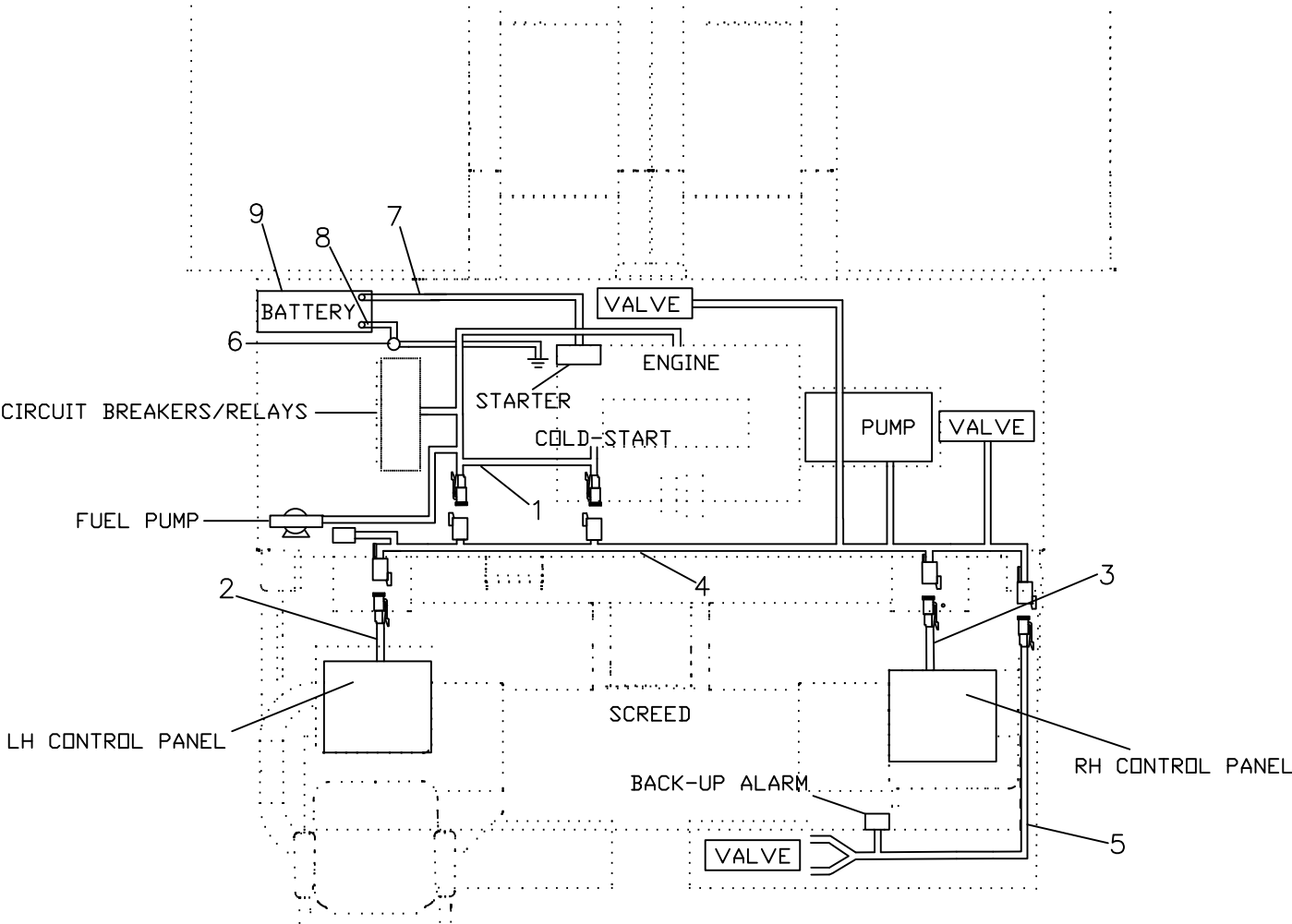


## REAR TOW ARM ASSEMBLY

ITEM NO.	PART NO.	DESCRIPTION	QTY	REMARKS
1	18240	LH TOW ARM W/A	1	
2	12165	1 3/8-8 ACME ADJUSTMENT SCREW	2	SERIAL NUMBER 1001-1078
	18391	ADJUSTMENT SCREW 1" BALL	2	SERIAL NUMBER 1079 & UP
3	70914465	ZERK 1/8NPT	2	
4	12483	HEIGHT SCREW	2	
5	12154	BEARING MOUNT	2	
6	13690	BEARING 1 1/4 ID 62 MM SPHERICAL OD	2	
7	C2B2571	JAM NUT 1 1/4-7 ZY	6	
8	15952	SPINNER STYLE HANDLE	2	
9	13688	WASHER .53 ID 2.5 OD X 1/4	2	
10	70923493	BOLT 1/2-13 x 1.12 GR8 ZY	2	
11	70668028	BALL BUSHING 1 1/4	2	
12	602200	2" INTERNAL SNAP RING	2	
13	70923470	BOLT 3/8-16 x 1 1/2 GR8 ZY	2	SERIAL NUMBER 1001-1078
	3771	BOLT 3/8-16 x 2 ZY	2	SERIAL NUMBER 1079 & UP
14	70918266	WASHER 3/8 ZY	2	SERIAL NUMBER 1001-1078
	13199	WASHER 3/8 1.5 1/4	2	SERIAL NUMBER 1079 & UP
15	10387	BOLT 3/8-16 x 4 ZY	4	
16	3756	LOCK NUT 3/8-16 TOPLOCK ZY	4	
17	18230	RH TOW ARM W/A	1	
18	70916171	TENSION PIN 1/4 x 1 1/2	2	
19	16195	TRAVERSE BEAM	1	
20	8385	BOLT 5/8-11 x 1 ZY	2	
21	4783	WASHER 5/8 1.25 HARD ZY	2	
22	3784	WASHER 1/2 HARD ZY	10	
23	15951	SHOULDER BOLT 1/2x2 1/2, 3/8-16, SOCKET HEAD	4	
24	15950	SPINNER KNOB	4	
25	9636	LOCK NUT 3/4-10 TOPLOCK ZY	1	
26	4282	BOLT 3/4-10 x 3.0 ZY	1	
27	3757	LOCK NUT 1/2-13 GRC TOPLOCK ZY	1	
28	4931	BOLT 1/2-13 x 3 1/2 GR8 ZY	1	

GROUP:XXXXX

# WIRE HARNESS ASSEMBLY

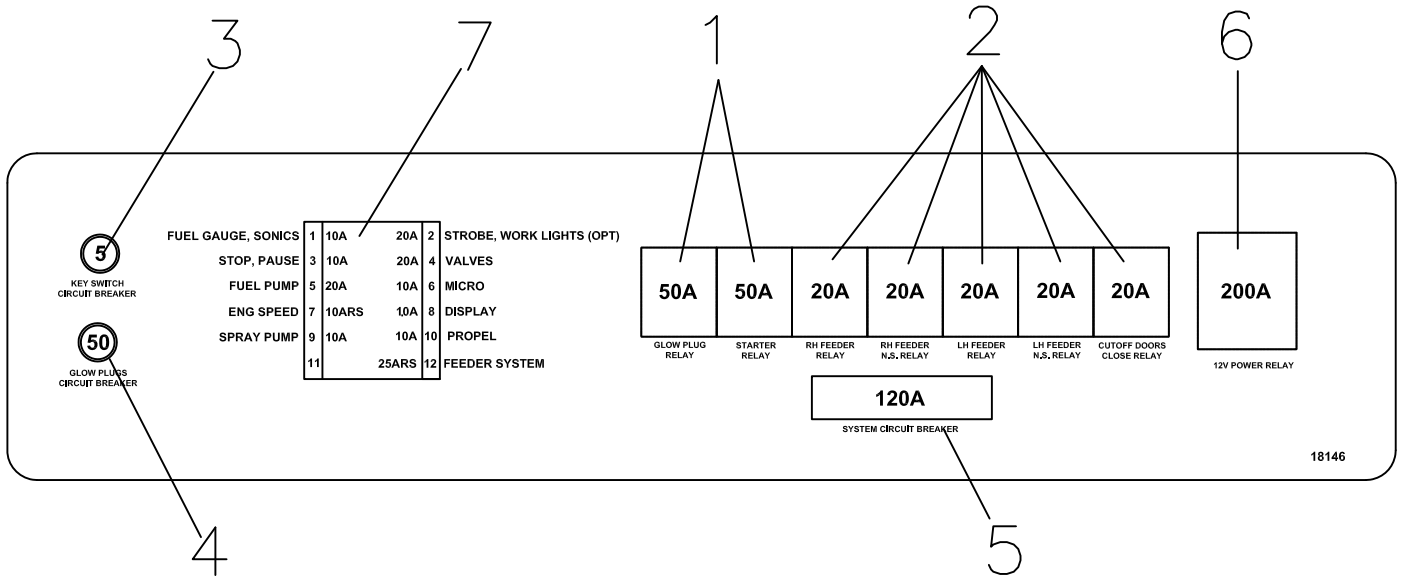


## WIRE HARNESS ASSEMBLY

ITEM NO.	PART NO.	DESCRIPTION	QTY	REMARKS
1	12516	P385 ENGINE WIRE AY	1	
2	12517	P385 LH DASH WIRE AY	1	
3	12518	P385 RH DASH WIRE AY	1	
4	12519	P385 VALVES WIRE AY	1	SERIAL NUMBER 1001-1034
	18144	P385 VALVES WIRE AY	1	SERIAL NUMBER 1035 & UP
5	12520	P385 SCREED WIRE AY	1	
6	5044	GROUND DISCONNECT SWITCH	1	
7	9424	BATTERY CABLE 00x48" POS w/POWER STUD	1	
8	C4I5363	BATTERY CABLE 00x14" NEG x 3/8" EYE	1	
9	5432	BATTERY GRP 4D 1000 CCA	1	

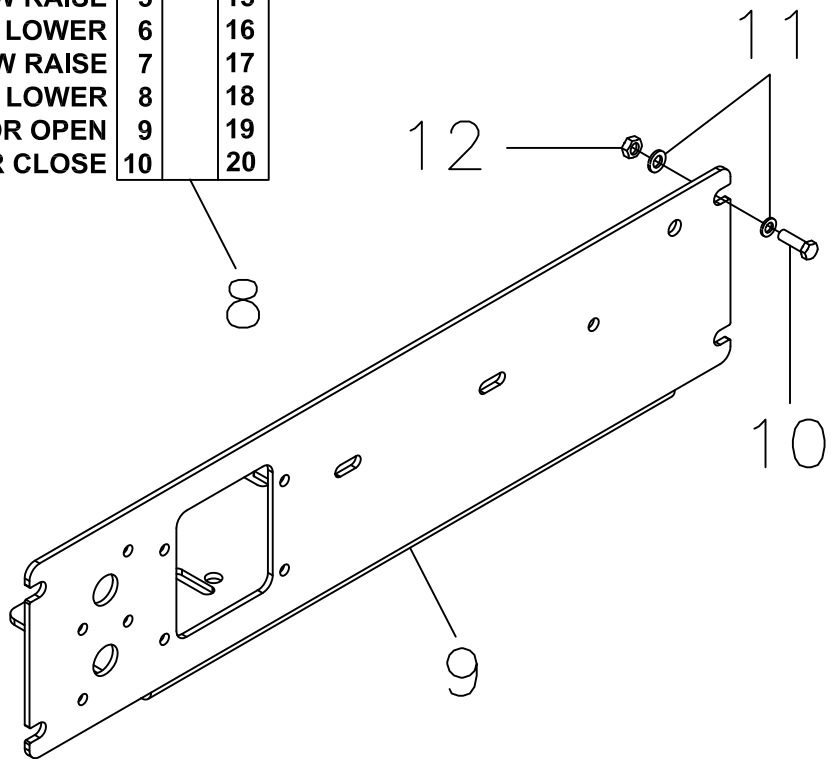
GROUP:13425

# RELAYS, DIODES & CIRCUIT BREAKERS



## DIODE IDENTIFICATION

HOPPER UP	1	11	RH CUTOFF DOOR OPEN
HOPPER DN	2	12	RH CUTOFF DOOR CLOSE
TRUCK HITCH OPEN	3	13	SCREED LIFT
TRUCK HITCH CLOSE	4	14	
LH TOW RAISE	5	15	
LH TOW LOWER	6	16	
RH TOW RAISE	7	17	
RH TOW LOWER	8	18	
LH CUTOFF DOOR OPEN	9	19	
LH CUTOFF DOOR CLOSE	10	20	

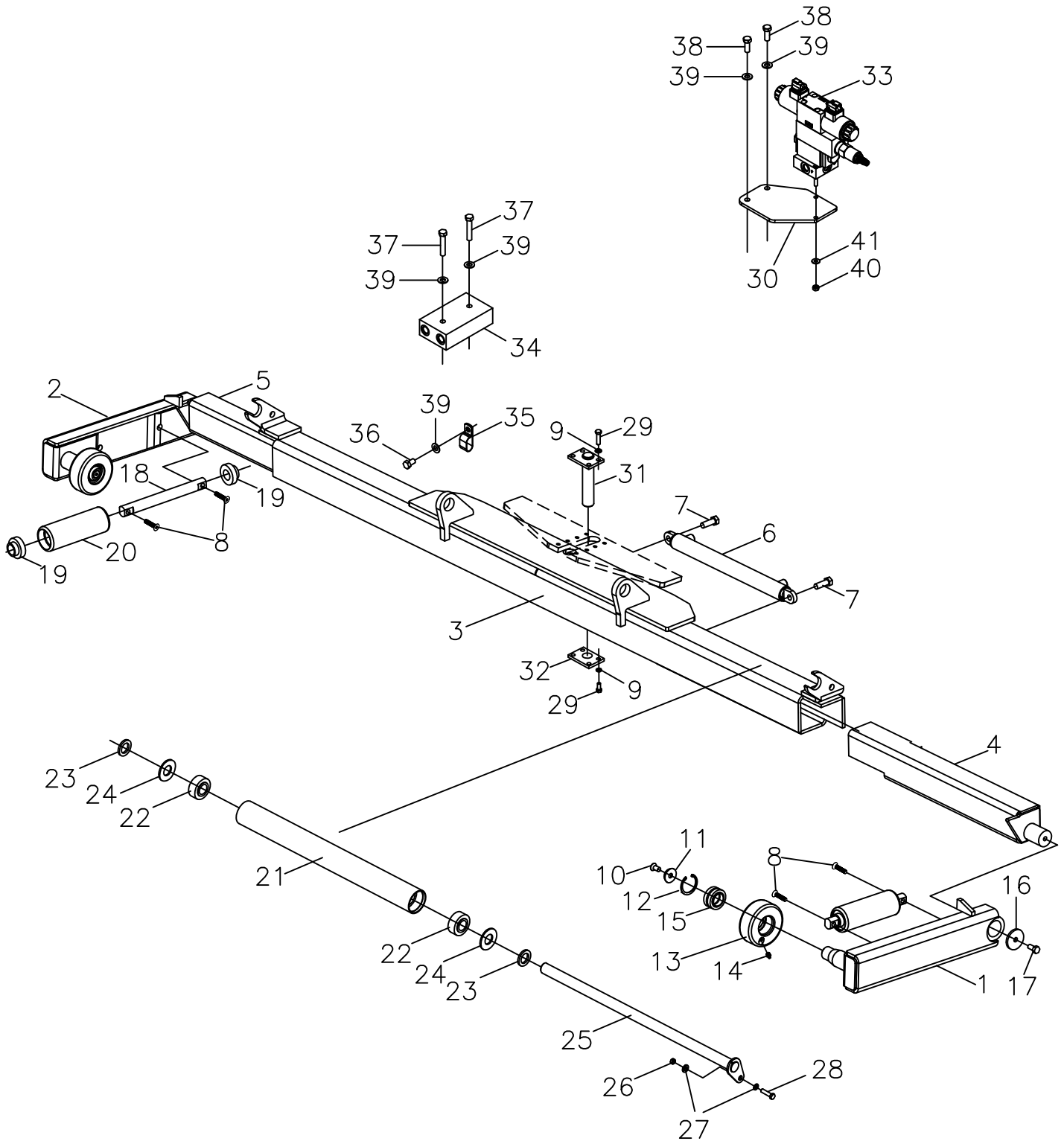


## RELAYS, DIODES & CIRCUIT BREAKERS

ITEM NO.	PART NO.	DESCRIPTION	QTY	REMARKS
1	73161287	50A RELAY - 12V	2	
2	6534	30A RELAY - 12V	5	
3	6159	CIRCUIT BREAKER 5A	1	
4	6186	CIRCUIT BREAKER 50A	1	
5	9012	CIRCUIT BREAKER 120A	1	
6	73163612	200A RELAY -12V	1	
7	17919	12 FUSE BLOCK	1	
	17920	12 FUSE BLOCK TALL COVER	1	
	11054990	FUSE 10A	6	
	11055190	FUSE 20A	4	
	16350	10A AUTO-RESET FUSE	1	FUSE #7 FOR ENG SPEED
	16353	25A AUTO-RESET FUSE	1	FUSE #12 FOR FEEDERS
8	17878	MINI FUSE BLOCK	1	
	17879	MINI FUSE BLOCK COVER	1	
	16973	3A DIODE	15	
9	14505	CIRCUIT BREAKER PANEL	1	
10	3759	BOLT 1/4-20 x 3/4 ZY	4	
11	70918264	WASHER 1/4 ZY	8	
12	3754	LOCK NUT 1/4-20 NYLOCK ZY	4	

GROUP:13425

# TRUCK HITCH ASSEMBLY SERIAL NUMBER 1001-1224

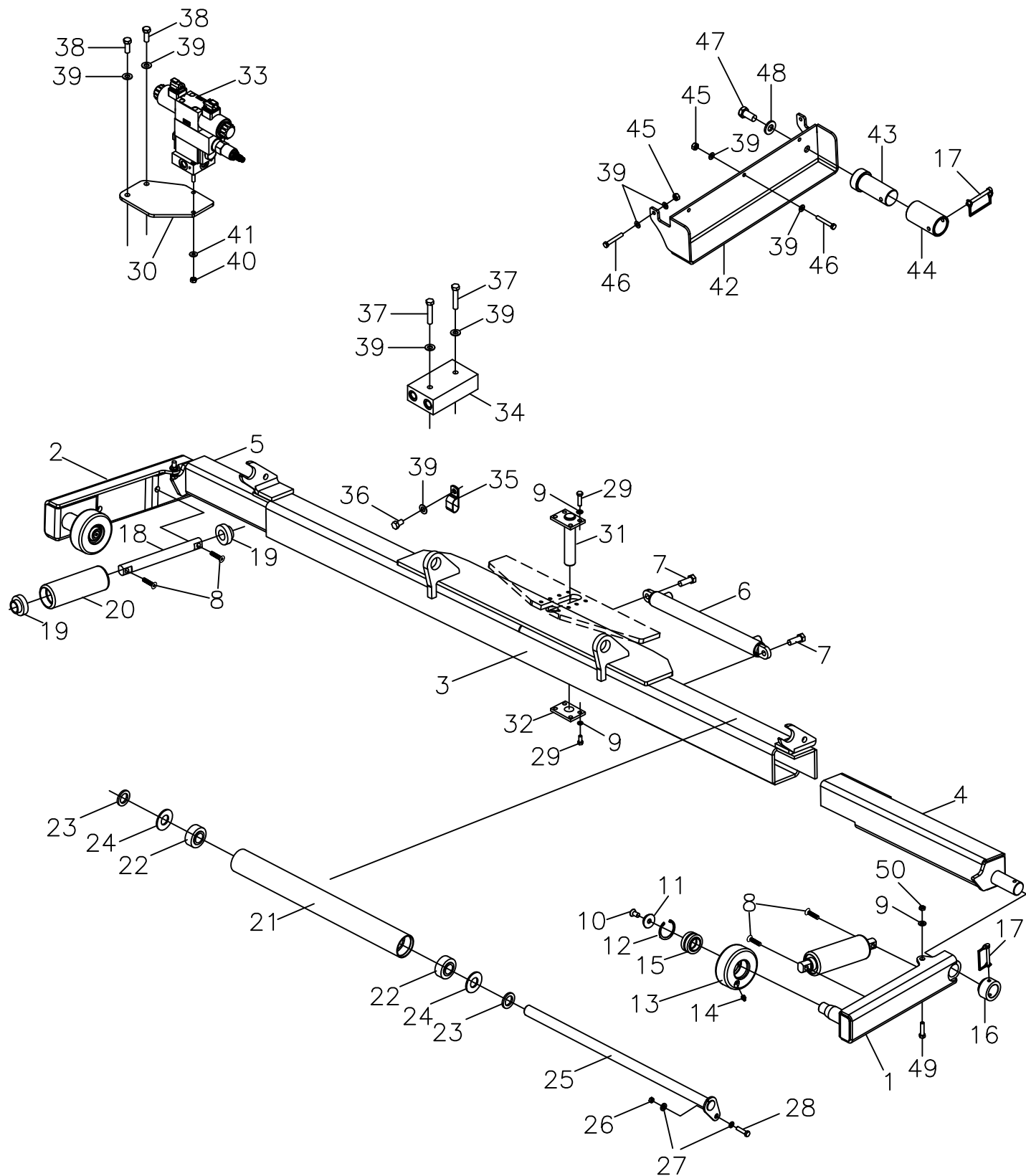


## TRUCK HITCH ASSEMBLY SERIAL NUMBER 1001-1224

ITEM NO.	PART NO.	DESCRIPTION	QTY	REMARKS
1	14495	LH ROLLER ARM W/A	1	
2	14492	RH ROLLER ARM W/A	1	
3	14477	TRUCK HITCH FRAME W/A	1	
4	14543	LH TRUCK HITCH EXTENSION W/A	1	
5	14544	RH TRUCK HITCH EXTENSION W/A	1	
6	14432	CYLINDER 1 1/2x15	2	
	5243	SEAL KIT 1 1/2 CYLINDER 1" ROD	AR	
7	14308	BOLT 5/8-11 x 1 3/4 G5 Z	4	
8	9586	BOLT 1/2-13 x 2 CTSK ALLEN HEAD Z	4	
9	3784	WASHER 1/2 HARD ZY	8	
10	7519	BOLT 1/2-13 x 1 FLT HEAD CTSK SOC PLN	2	
11	C810372	RETAINER	2	
12	C12S33	2 7/16 INTERNAL SNAP RING	2	
13	C810371	RIM ROLLER	2	
14	70914465	ZERK 1/8NPT	2	
15	C4D0298	BALL BUSHING 1 1/2	2	
16	18306	WASHER .53ID X 2.5 OD X 3/8	2	
17	70926154	BOLT 1/2-13 x 1 GR8 ZY	2	
18	21609	PIN - SIDE ROLLER	2	
19	C1328870	BALL BEARING 1.25 2.445od	4	
20	14498	SIDE ROLLER	2	
21	11133	3 1/2" PUSH ROLLER	2	
22	C6I9487	BALL BEARING 1 1/2, TRIPLE SEALED, LUBRICATED	4	
23	C810626	WASHER 1.53 2.38 1/4	4	
24	C810625	WASHER 1.53 3.19 .189	4	
25	14493	ROLLER PIN W/A	2	
26	3758	LOCK NUT 5/8-11 GC TOPLOCK ZY	2	
27	4783	WASHER 5/8 1.25 HARD ZY	4	
28	6265	BOLT 5/8-11x2 GR8 ZY	2	
29	70923493	BOLT 1/2-13 x 1 1/8 GR8 ZY	8	
30	15160	TRUCK HITCH VALVE MOUNT	1	
31	13411	PUSH ROLLER PIN W/A	1	
32	13406	PUSH FRAME PIN PLATE	1	
33	7630	1 SPOOL VALVE - TRUCK HITCH	1	BREAKDOWN PAGE 13.6
34	15161	TRUCK HITCH MANIFOLD	1	
35	70929279	P-CLAMP 5/8 DBLE 3/8 MTG HOLE	3	
36	70928181	BOLT 3/8-16 x 5/8 GR8 ZY	3	
37	70923701	BOLT 3/8-16 x 2 ZY	2	
38	70923490	BOLT 3/8-16 x 1 GR8 ZY	2	
39	70918266	WASHER 3/8 ZY	7	
40	14654	LOCK NUT 1/4-20 CNTRLK ZY	2	
41	70918264	WASHER 1/4 ZY	2	

GROUP:P385-011

# TRUCK HITCH ASSEMBLY SERIAL NUMBER 1225 & UP



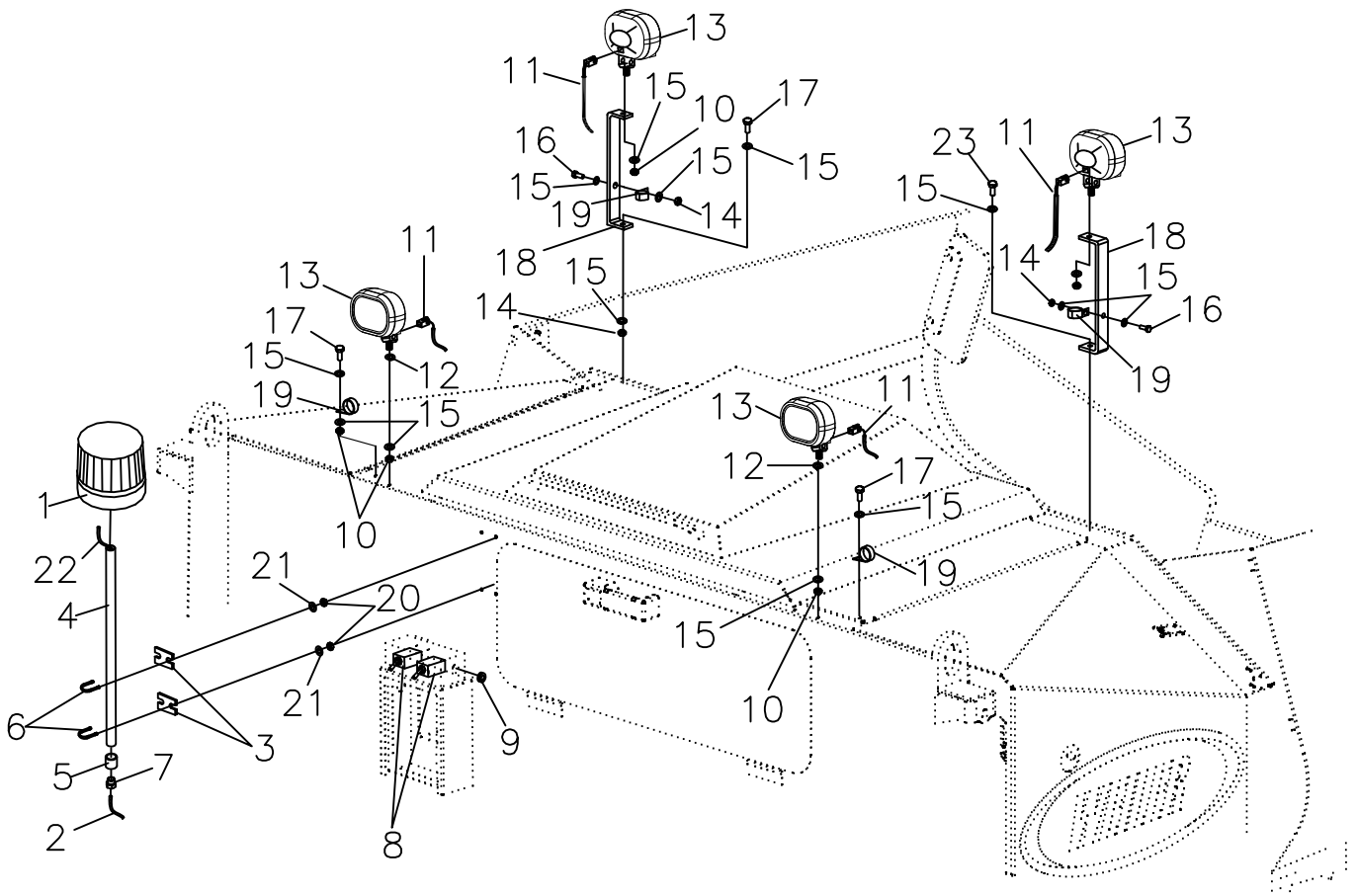


## TRUCK HITCH ASSEMBLY SERIAL NUMBER 1225 & UP

ITEM NO.	PART NO.	DESCRIPTION	QTY	REMARKS
1	22977	LH ROLLER ARM W/A	1	
2	22975	RH ROLLER ARM W/A	1	
3	22966	TRUCK HITCH FRAME W/A	1	
4	22973	LH TRUCK HITCH EXTENSION W/A	1	
5	22971	RH TRUCK HITCH EXTENSION W/A	1	
6	22988	CYLINDER 1 1/2 X 18	2	
	5243	SEAL KIT 1 1/2 CYLINDER 1" ROD	AR	
7	14308	BOLT 5/8-11 x 1 3/4 G5 Z	4	
8	9586	BOLT 1/2-13 x 2 CTSK ALLEN HEAD Z	4	
9	3784	WASHER 1/2 HARD ZY	10	
10	7519	BOLT 1/2-13 x 1 FLT HEAD CTSK SOC PLN	2	
11	C810372	RETAINER	2	
12	C12S33	2 7/16 INTERNAL SNAP RING	2	
13	C810371	RIM ROLLER	2	
14	70914465	ZERK 1/8NPT	2	
15	C4D0298	BALL BUSHING 1 1/2	2	
16	22978	COLLAR	2	
17	22989	LYNCH PIN, 3/8" X 3"	4	
18	21609	PIN - SIDE ROLLER	2	
19	C1328870	BALL BEARING 1.25 2.445od	4	
20	14498	SIDE ROLLER	2	
21	11133	3 1/2" PUSH ROLLER	2	
22	C6I9487	BALL BEARING 1 1/2, TRIPLE SEALED, LUBRICATED	4	
23	C810626	WASHER 1.53 2.38 1/4	4	
24	C810625	WASHER 1.53 3.19 .189	4	
25	14493	ROLLER PIN W/A	2	
26	3758	LOCK NUT 5/8-11 GC TOPLOCK ZY	2	
27	4783	WASHER 5/8 1.25 HARD ZY	4	
28	6265	BOLT 5/8-11x2 GR8 ZY	2	
29	70923493	BOLT 1/2-13 x 1 1/8 GR8 ZY	8	
30	15160	TRUCK HITCH VALVE MOUNT	1	
31	13411	PUSH ROLLER PIN W/A	1	
32	13406	PUSH FRAME PIN PLATE	1	
33	7630	1 SPOOL VALVE - TRUCK HITCH	1	BREAKDOWN PAGE 13.6
34	15161	TRUCK HITCH MANIFOLD	1	
35	70929279	P-CLAMP 5/8 DBLE 3/8 MTG HOLE	3	
36	70928181	BOLT 3/8-16 x 5/8 GR8 ZY	3	
37	70923701	BOLT 3/8-16 x 2 ZY	2	
38	70923490	BOLT 3/8-16 x 1 GR8 ZY	2	
39	70918266	WASHER 3/8 ZY	27	
40	14654	LOCK NUT 1/4-20 CNTRLK ZY	2	
41	70918264	WASHER 1/4 ZY	2	
42	22982	STORAGE TRAY	2	
43	22981	STORAGE PIN	2	
44	22979	SHAFT COVER	2	
45	3756	LOCK NUT 3/8-16 GRB CENTER LOCK ZY	10	
46	70932612	BOLT 3/8-16 x 2 1/2 GR8 ZY	10	
47	5362	BOLT 3/4-10 x 1 1/2 GR8 ZY	2	
48	70929188	WASHER 3/4 HARD ASTM436 ZY	2	
49	70921898	BOLT 1/2-13 x 2 GR8 ZY	2	
50	70913744	JAM NUT 1/2-13 Z	2	

GROUP:P385-011

# WORK & STROBE LIGHT ASSEMBLY

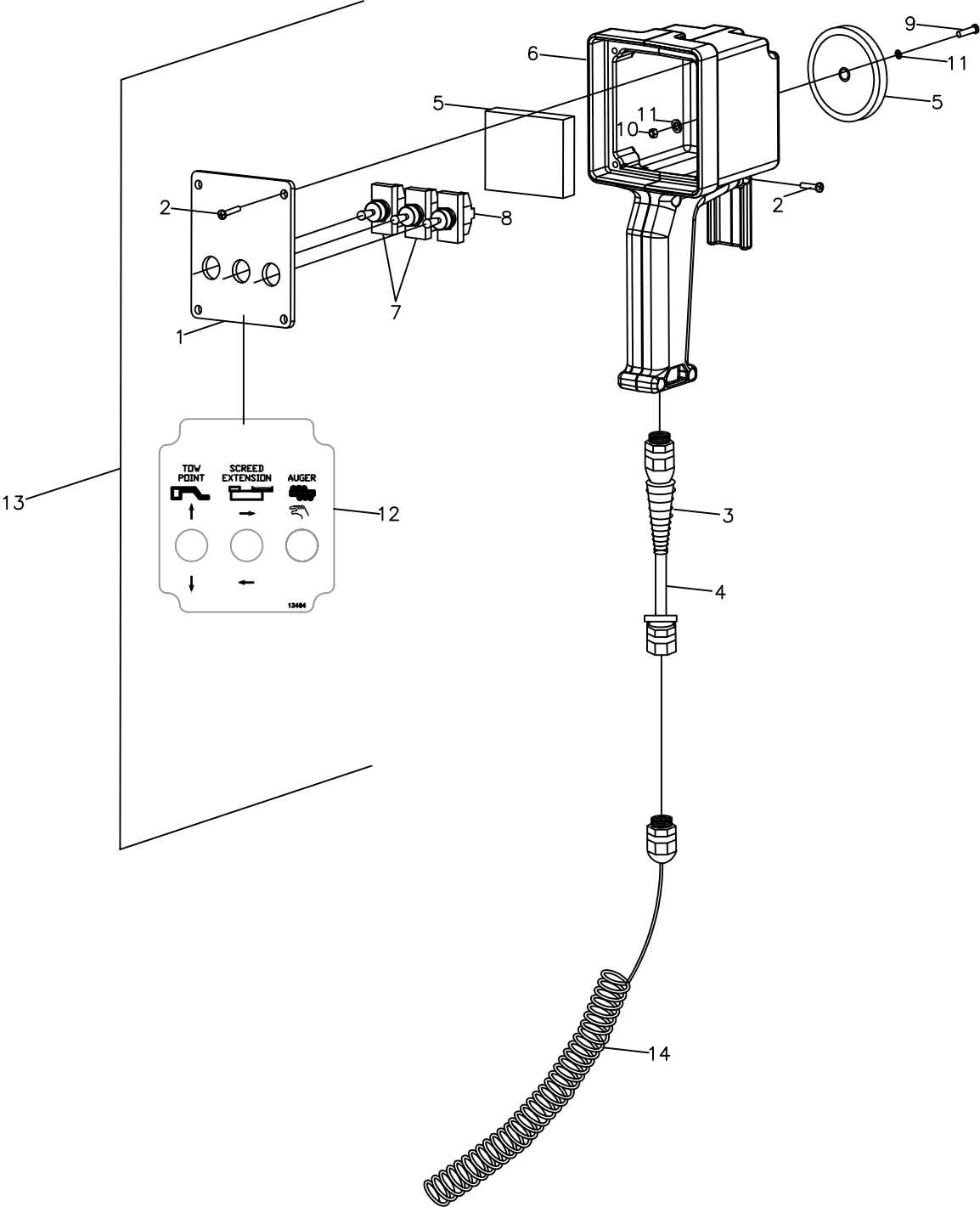


## WORK & STROBE LIGHT ASSEMBLY

ITEM NO.	PART NO.	DESCRIPTION	QTY	REMARKS
1	C3381132	LED STROBE AY w/17" WIRE, DT04-2P	1	
	C3567515	STROBE LENS - AMBER	1	
2	12526	P385 LED STROBE WIRE AY	1	
3	14829	STROBE POLE SPACER	2	
4	CEU1724	PIPE 1x42 1MNPT	1	
5	C2R7712	FITTING 1FNPTx3/4FNPT	1	
6	C16R42	U-BOLT 1.31DIA	2	
7	6075	CORD GRIP 3/4MNPT X .375-.438 CORD	1	
8	6129	TOGGLE SWITCH - 2 POSITION, 1 POLE, DT, MAINT'D	2	
9	70921433	GROMMET .50id x .875groove, .06 SLOT	1	
10	11701721	NUT M10-1.5 ZY	4	
11	12524	P385 LIGHTING WIRE AY	1	
12	13199	WASHER 3/8 1.5 1/4	2	
13	C2344327	12V FLOODLIGHT	4	INCLUDES ITEMS 10 & 15
14	3756	LOCK NUT 3/8-16 GRBTOPLOCK ZY	4	
15	4091	WASHER 3/8 HARD ZY	10	
16	70923485	BOLT 3/8-16 x 7/8 GR8 ZY	2	
17	70923490	BOLT 3/8-16 x 1 GR8 ZY	3	
18	9139	LIGHT BRACKET	2	
19	70926917	P-CLAMP 3/8 3/8 MTG HOLE	4	
20	70916622	NUT 1/4-20 ZY	4	
21	70918264	WASHER 1/4 ZY	4	
22	17670	48" EXTENSION WIRE AY	1	
23	70922605	BOLT 3/8-16 x 1 1/4 GR8 ZY	1	

GROUP:P385-110 & P385-115

# HANDHELD REMOTE ASSEMBLY

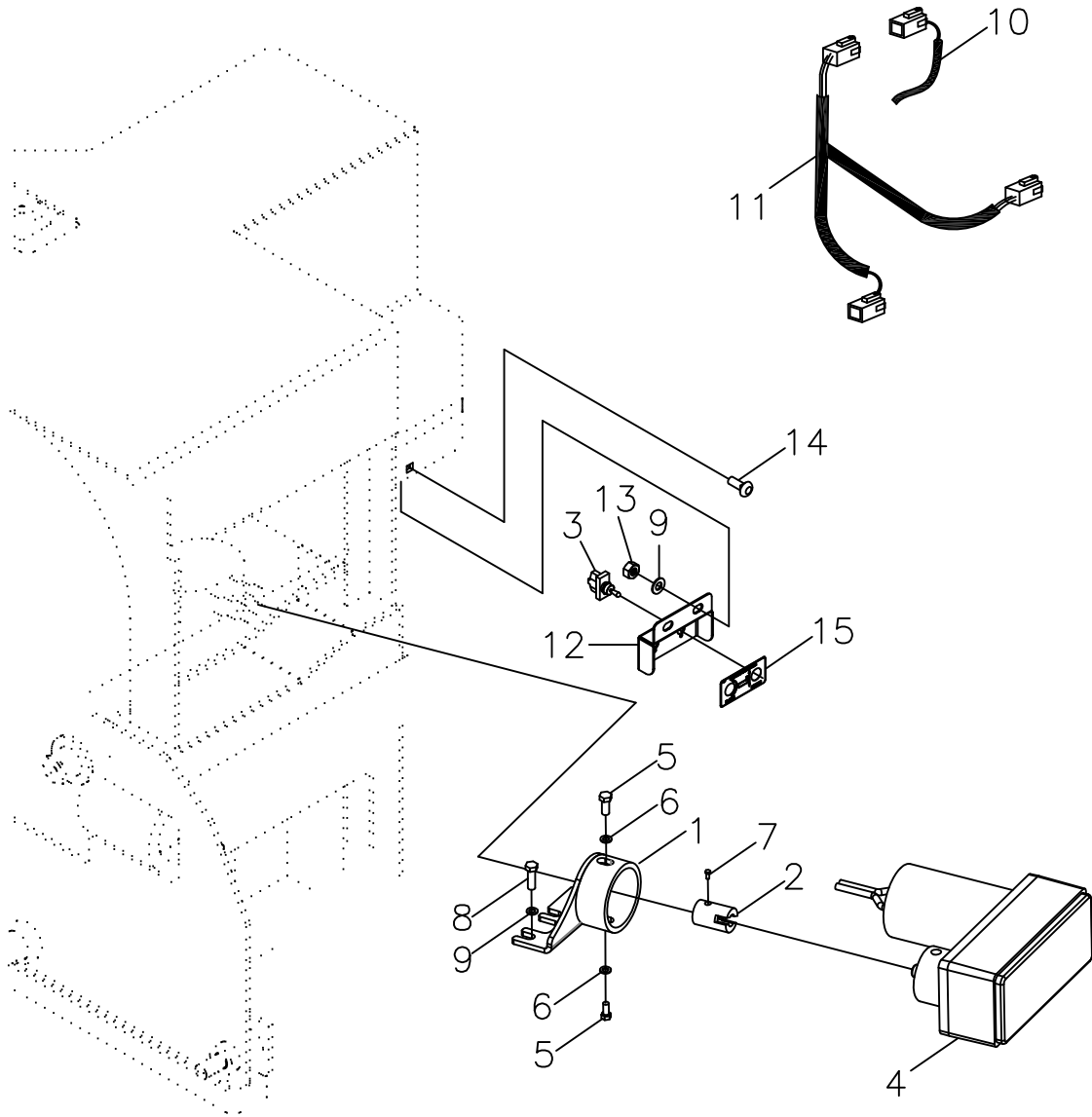


## HANDHELD REMOTE ASSEMBLY

ITEM NO.	PART NO.	DESCRIPTION	QTY	REMARKS
1	10170	3 HOLE FACE PLATE	1	
2	10174	SCREW #6 x1/2 PLASTITE, PHILLIPS, STAINLESS	10	
3	10175	STRAIN RELIEF M20-1.5 .315-.512	1	
4	12522	P385 HAND HELD WIRE AY	1	INCLUDES ITEM 3
5	13936	100 LB MAGNET	1	SERIAL NUMBER 1001-1225
	22237	118 LB MAGNET, 2x2x1/2	1	SERIAL NUMBER 1226 & UP
6	15369	HAND HELD w/1/2" FNPT	1	
7	6128	TOGGLE SWITCH - 3 POSITION, 1 POLE, DT, MOM	2	
8	6132	TOGGLE SWITCH - 2 POSITION, 1 POLE, ST, MOM	1	
9	13712	SCREW #8-32 x 3/4 SS PH PANHEAD	1	SERIAL NUMBER 1001-1225
10	9607	NUT #8-32 Z	1	SERIAL NUMBER 1001-1225
11	70917326	WASHER #8 Z	2	SERIAL NUMBER 1001-1225
12	13464	DECAL - PAVER HAND HELD	1	
13	18134	P385 HAND HELD REMOTE FIELD KIT	1	INCLUDES ITEMS 1-12
14	12213	1.5' -7.5' 6 WIRE COILED CABLE	1	

GROUP:P385-118

# ELECTRIC EXTENSION HEIGHT

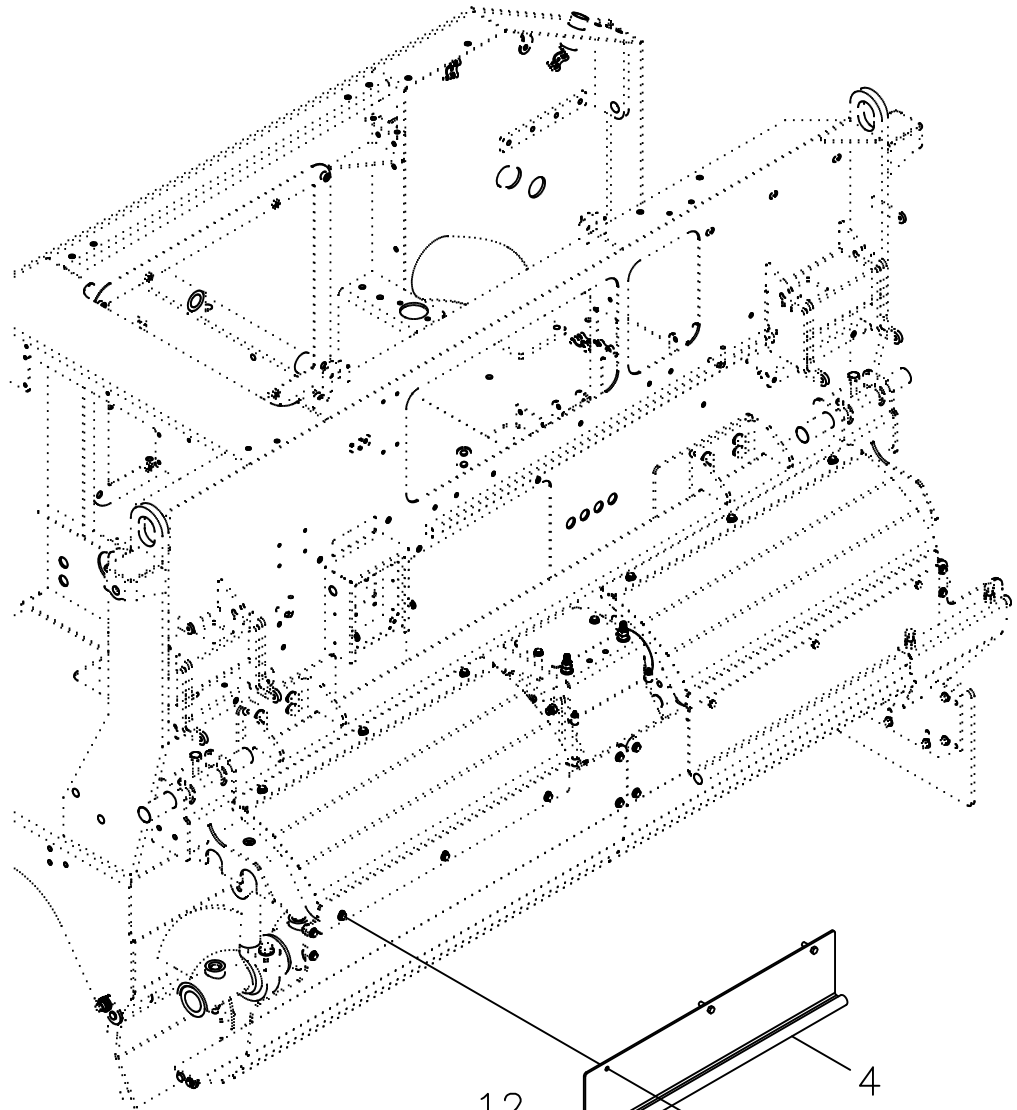


## ELECTRIC EXTENSION HEIGHT

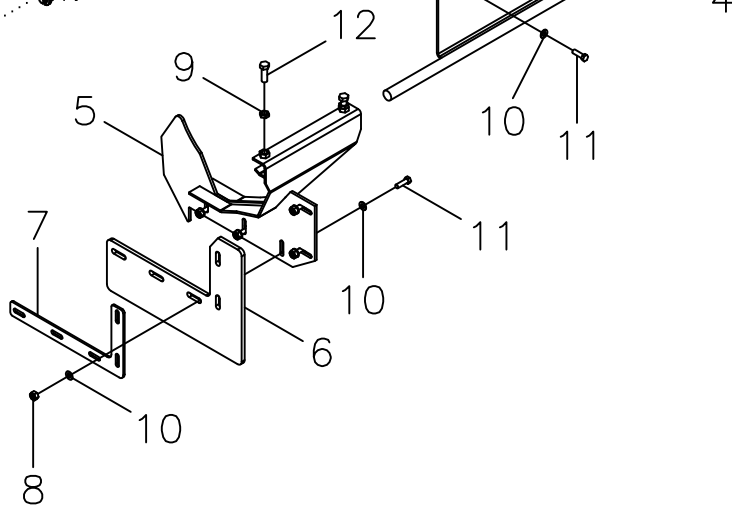
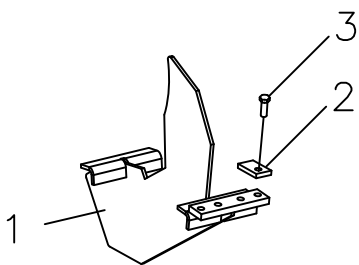
ITEM NO.	PART NO.	DESCRIPTION	QTY	REMARKS
1	17870	MOTOR MOUNT LHS	1	
	17875	MOTOR MOUNT RHS	1	
2	C810740	DRIVER COUPLER	2	
3	9489	TOGGLE SWITCH - 3 POSITION, 2 POLE, DT, MOM	2	
4	C2772007	12 VOLT MOTOR AND GEARBOX	2	
5	3768	BOLT 3/8-16 x 1.0 ZY	4	
6	70919312	LOCK WASHER 3/8 ZY	4	
7	6086	SETSCREW 3/8-16x1/2	2	
8	3770	BOLT 3/8-16 x 1 1/2 ZY	4	
9	70918266	WASHER 3/8 ZY	8	
10	12530	P385 POWER SLOPE/HEIGHT TRACTOR WIRE AY	1	
11	12531	P385 POWER SLOPE/HEIGHT SCREED WIRE AY	1	
12	19569	SWITCH MOUNT	2	
13	3756	LOCK NUT 3/8-16 GRBTOPLOCK ZY	4	
14	7298	CARRIAGE BOLT 3/8-16 x 1 ZY	4	
15	19571	EXTENSION CONTROL DECAL	2	

GROUP:P385-300

# SCREED CUT-OFF GATES ASSEMBLY



VERSION 1



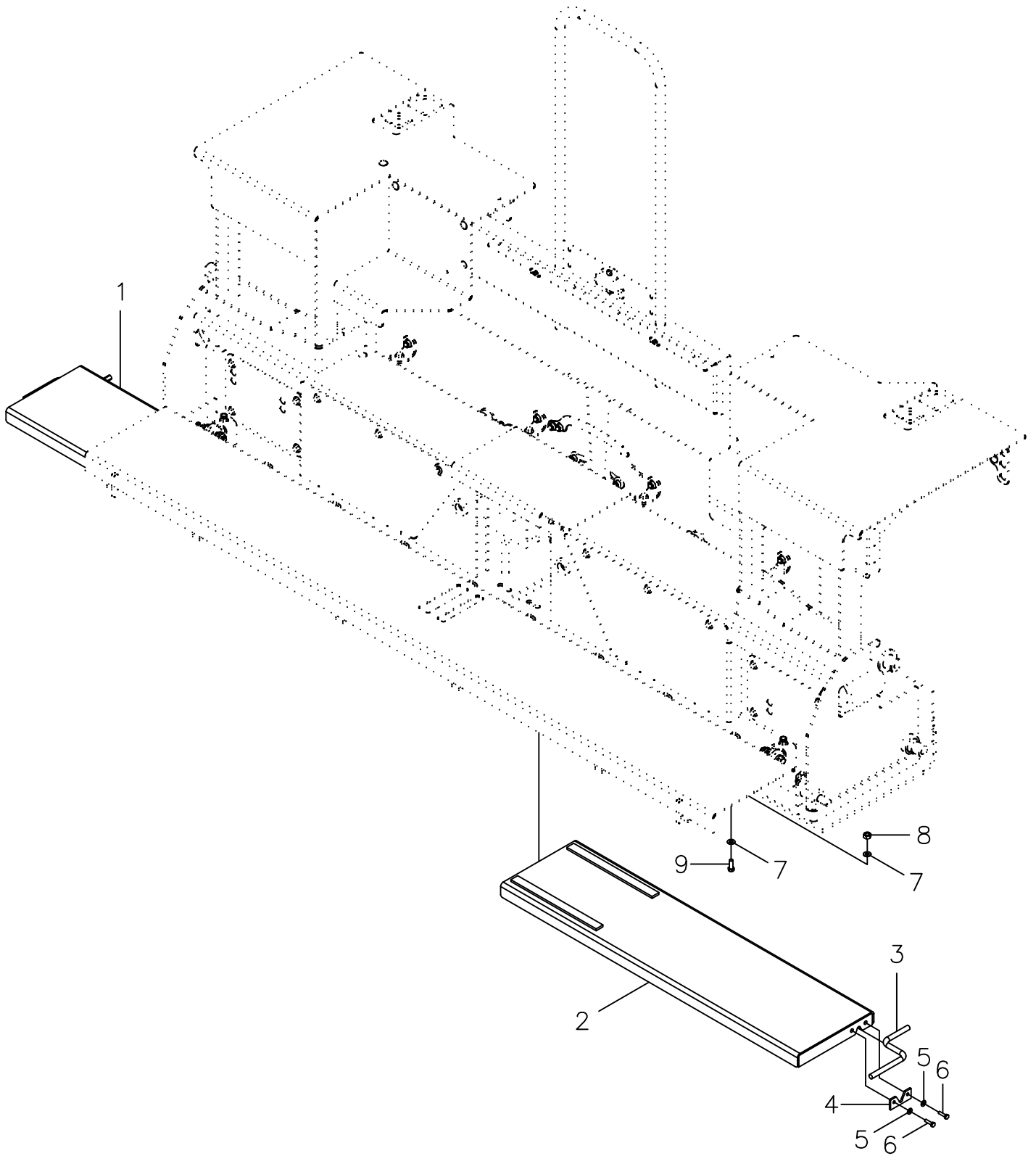


## SCREED CUT-OFF GATES ASSEMBLY

ITEM NO.	PART NO.	DESCRIPTION	QTY	REMARKS
1	15279	CUT OFF W/A	2	VERSION 1
2	15472	RETAINER BAR	4	VERSION 1
3	70923493	BOLT 1/2-13 x 1 1/8 GR8 ZY	4	VERSION 1
4	20420	LHS CUT OFF SHOE MOUNT	1	
	20417	RHS CUT OFF SHOE MOUNT	1	
5	20421	CUT OFF SHOE	2	
6	21239	CUT OFF FLASHING	2	
7	21240	BACKER PLATE	2	
8	3756	LOCK NUT 3/8-16 GRB CENTER LOCK ZY	10	
9	70913744	JAM NUT 1/2-13 Z	4	
10	70918266	WASHER 3/8 ZY	26	
11	70922605	BOLT 3/8-16 x 1 1/4 GR8 ZY	16	
12	70923154	BOLT 1/2-13 x 1 1/2 GR8 ZY	4	

GROUP:P385-310

# WALKWAY EXTENSIONS ASSEMBLY

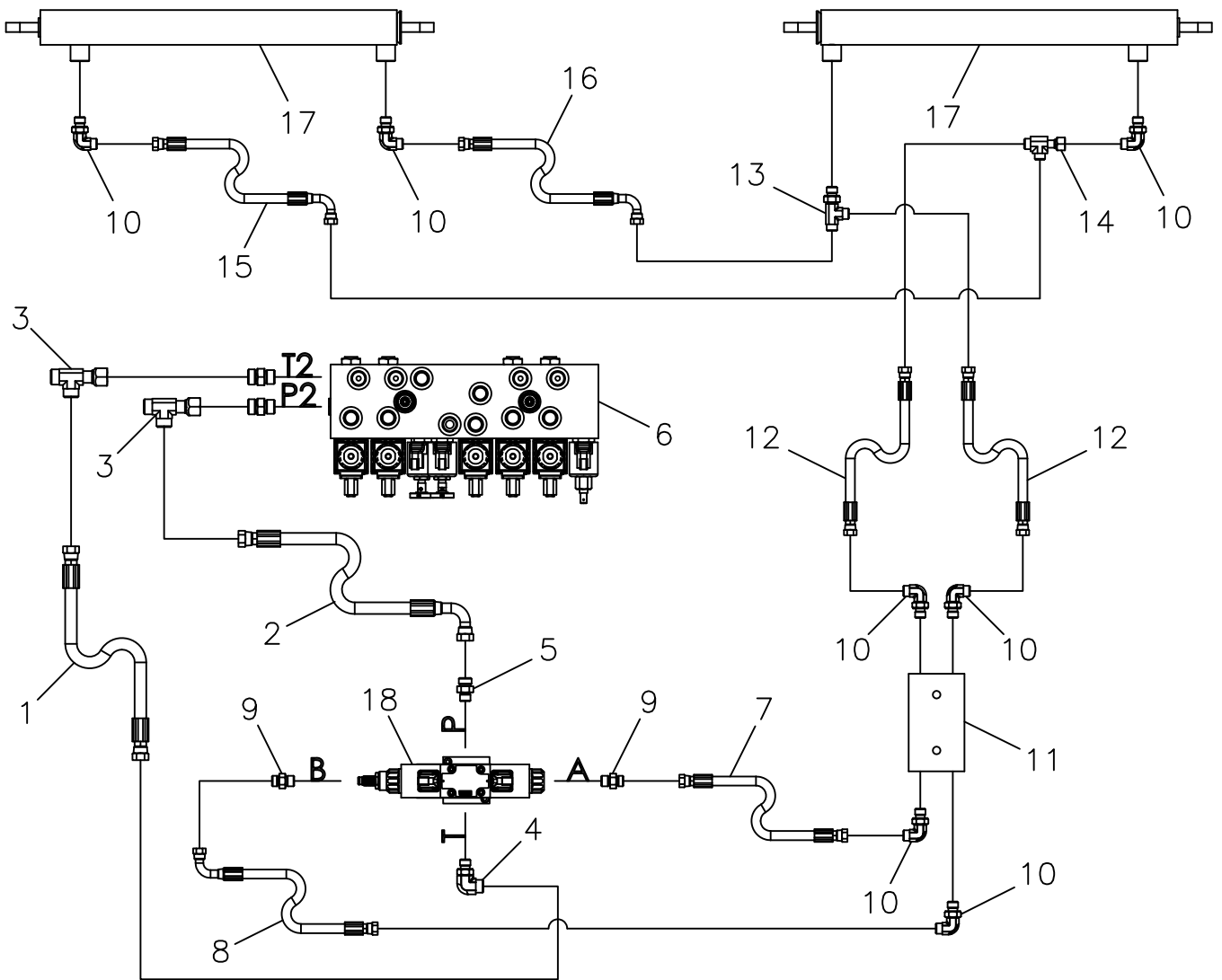


## WALKWAY EXTENSIONS ASSEMBLY

ITEM NO.	PART NO.	DESCRIPTION	QTY	REMARKS
1	13574	LH SIDE STEP W/A	1	
2	13575	RH SLIDE STEP W/A	1	
3	13581	HANDLE	2	
4	13582	CLAMP PLATE	2	
5	70918264	WASHER 1/4 ZY	4	
6	70926771	BOLT 1/4-20 x 1 ZY	4	
7	70918266	WASHER 3/8 ZY	4	
8	3756	LOCK NUT 3/8-16 TOPLOCK ZY	4	
9	70923490	BOLT 3/8-16 x 1 GR8 ZY	4	

GROUP:P385-101

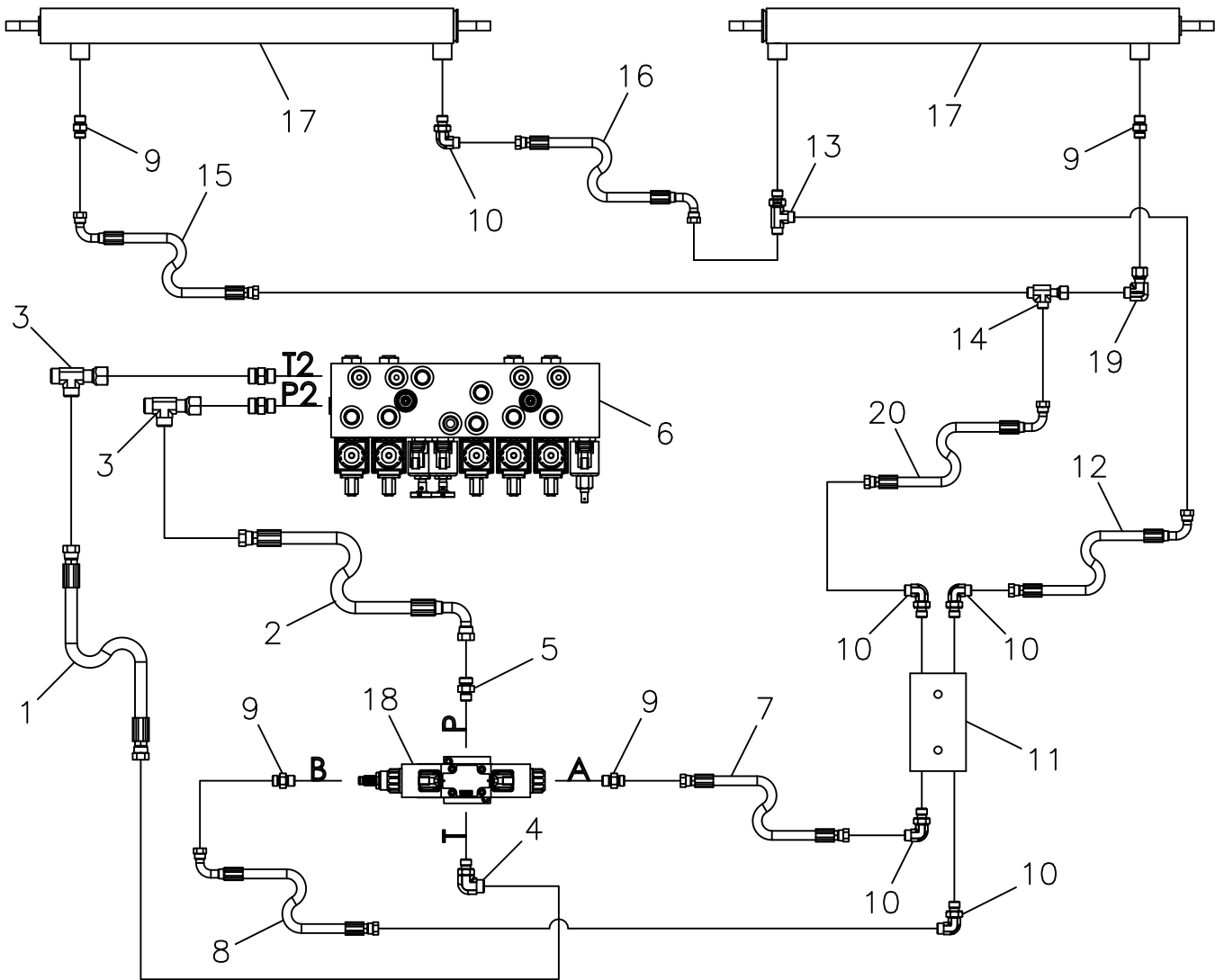
# TRUCK HITCH HOSE DIAGRAM SERIAL NUMBER 1001-1224



**TRUCK HITCH HOSE DIAGRAM SERIAL NUMBER 1001-1224**

ITEM NO.	PART NO.	DESCRIPTION	QTY	REMARKS
1	73158131	HOSE - 3/8 x 37.5 - 6 ORS STR / STR	1	SERIAL NUMBER 1001-1203
	22382	HOSE - 3/8 x 38 - 8 ORS ST / 6 ORS ST	1	SERIAL NUMBER 1204-1224
2	73158141	HOSE - 3/8 x 38 - 6 ORS STR / 90	1	SERIAL NUMBER 1001-1203
	22383	HOSE - 3/8 x 38 - 8 ORS / 6 ORS 90	1	SERIAL NUMBER 1204-1224
3	4582	FITTING 6ORSx8ORB 90DEG	2	SERIAL NUMBER 1001-1203
	4672	FITTING 8ORS SWIVEL NUT RUN TEE	2	SERIAL NUMBER 1204-1224
4	4584	FITTING 6ORSx6ORB 90DEG	1	
5	73156780	FITTING 6MORS/6MORB	1	
6	16675	HOPPER/SCREED/TOW VALVE - 6 SPOOL	1	
7	6387	HOSE - 1/4 x 127 - 4 ORS / 4 ORS	1	
8	6388	HOSE - 1/4 x 132 - 4 ORS / 4 ORS 90	1	
9	3104	FITTING - 6 MORB x 4 ORFS	2	
10	3133	FITTING, 6 MORB X 4 ORFS 90	7	
11	15161	TRUCK HITCH MANIFOLD	1	
12	9262	HOSE - 1/4 x 63 - 4 ORS / 4 ORS	2	
13	6502	FITTING - 4ORS/4ORS/6ORB RUN T	1	
14	3561	FITTING - 4 ORS SWIVEL NUT RUN TEE	1	
15	14649	HOSE - 1/4 x 38 - 4 ORS 90 / 4 ORS ST	1	
16	14650	HOSE - 1/4 x 29 - 4 ORS 90 / 4 ORS ST	1	
17	14432	CYLINDER 1 1/2x15	2	
	5243	SEAL KIT 1 1/2 CYLINDER 1" ROD	AR	
18	7630	1 SPOOL VALVE - TRUCK HITCH	1	BREAKDOWN PAGE 13.6

# TRUCK HITCH HOSE DIAGRAM SERIAL NUMBER 1225 & UP

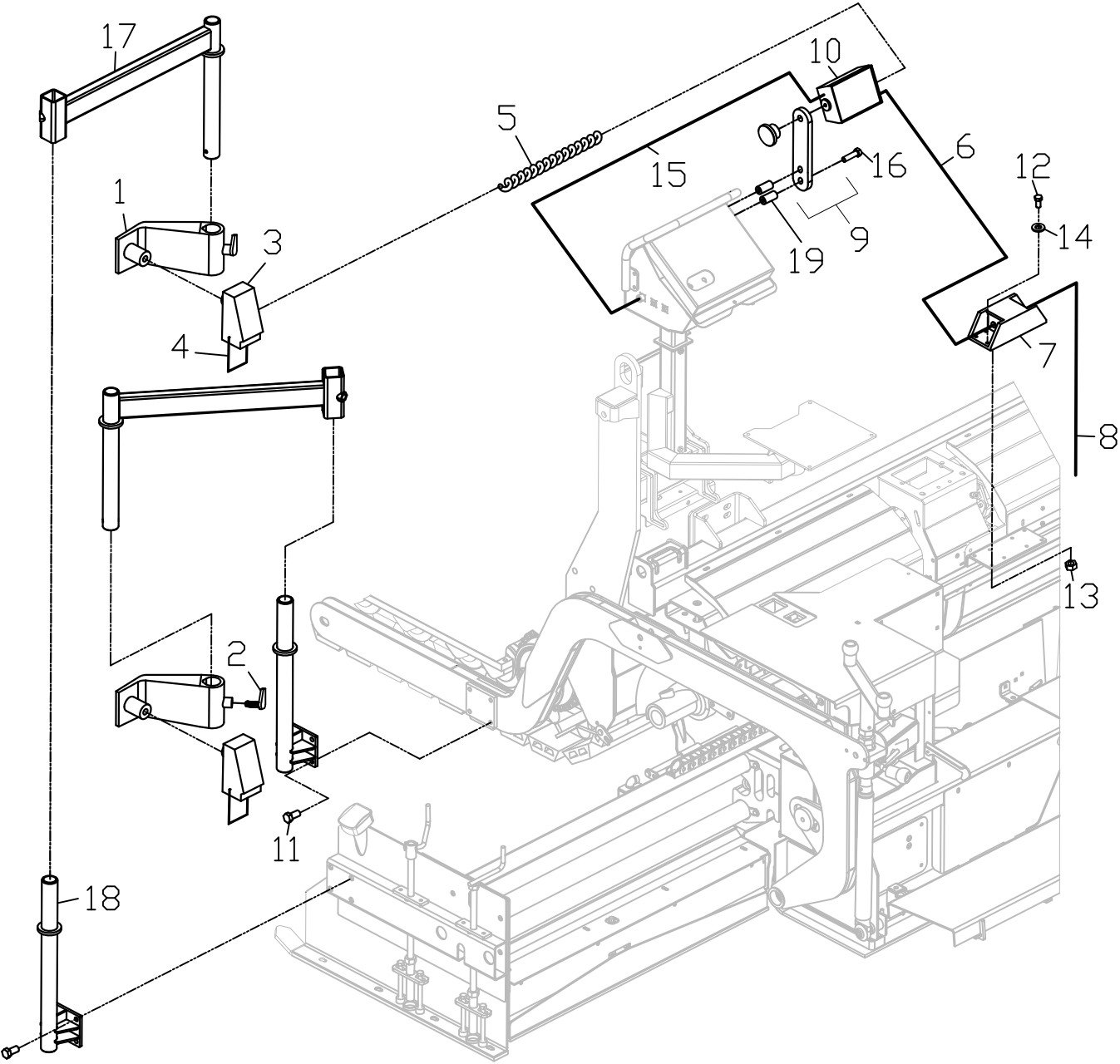


## TRUCK HITCH HOSE DIAGRAM SERIAL NUMBER 1225 & UP

ITEM NO.	PART NO.	DESCRIPTION	QTY	REMARKS
1	22382	HOSE - 3/8 x 38 - 8 ORS ST / 6 ORS ST	1	
2	22383	HOSE - 3/8 x 38 - 8 ORS / 6 ORS 90	1	
3	4672	FITTING 8ORS SWIVEL NUT RUN TEE	2	
4	4584	FITTING 6ORSx6ORB 90DEG	1	
5	73156780	FITTING 6MORS/6MORB	1	
6	16675	HOPPER/SCREED/TOW VALVE - 6 SPOOL	1	BREAKDOWN PAGE 13.1
7	6387	HOSE - 1/4 x 127 - 4 ORS / 4 ORS	1	
8	6388	HOSE - 1/4 x 132 - 4 ORS / 4 ORS 90	1	
9	3104	FITTING - 6 MORB x 4 ORFS	4	
10	3133	FITTING, 6 MORB X 4 ORFS 90	5	
11	15161	TRUCK HITCH MANIFOLD	1	
12	22991	HOSE - 1/4 x 47 - 4 ORS 90 / 4 ORS ST	1	
13	6502	FITTING - 4ORS/4ORS/6ORB RUN T	1	
14	3561	FITTING - 4 ORS SWIVEL NUT RUN TEE	1	
15	22990	HOSE - 1/4 x 44 - 4 ORS 90 / 4 ORS ST	1	
16	14650	HOSE - 1/4 x 29 - 4 ORS 90 / 4 ORS ST	1	
17	22988	CYLINDER 1 1/2 X 18	2	
	5243	SEAL KIT 1 1/2 CYLINDER 1" ROD	AR	
18	7630	1 SPOOL VALVE - TRUCK HITCH	1	BREAKDOWN PAGE 13.6
19	7562	FITTING - 4 ORS/4ORS (F) SWIVEL 90	1	
20	22992	HOSE - 1/4 x 66 - 4 ORS 90 / 4 ORS ST	1	

GROUP:11160

# TOPCON ASSEMBLY



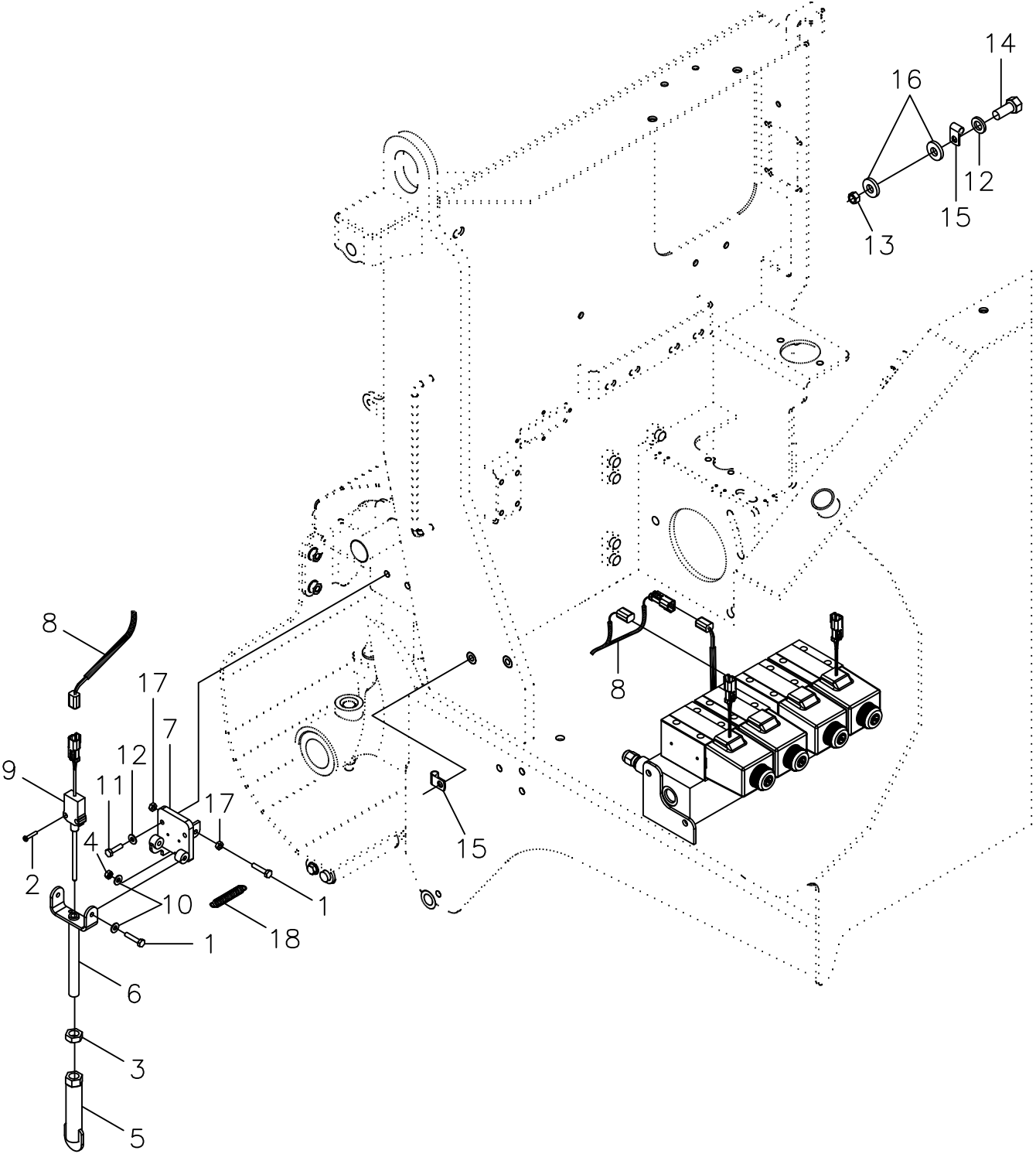


## TOPCON ASSEMBLY

ITEM NO.	PART NO.	DESCRIPTION	QTY	REMARKS
1	19682	TOPCON SONIC TRACKER BRACKET	2	
2	19683	MOUNT BOLT	2	
3	19684	TOPCON SONIC	2	
4	19685	TOPCON TEMP BAIL W/SLEEVES, WIRE	2	
5	19686	TOPCON COIL CORD, 15 FT	2	
6	19687	TOPCON SLOPE CORD - 12'	1	
7	19688	TOPCON SLOPE SENSOR	1	
8	19689	TOPCON SLOPE CORD - 8'	1	
9	19690	CONTROLLER MOUNT KIT	2	
10	19691	TOPCON CONTROLLER	2	
11	70926115	BOLT 1/2-13 x 3/4 ZY	8	
12	4490	BOLT 5/16-18 x 1 1/4 ZY	4	
13	3755	LOCK NUT 5/16-18 NYLON ZY	4	
14	3782	WASHER 5/16 ZY	4	
15	12527	P385 46" TOPCON POWER WIRE AY	1	
16	70932612	BOLT 3/8-16 x 2 1/2 GR8 ZY	4	
17	19692	SHORT FIN 'L-ARM' BRACLET W/A	2	
18	18533	TOPCON SONIC TRACKER MOUNT W/A	2	
19	18326	SPACER TUBE .47 .63 1.1	4	

GROUP:18528

# CONVEYOR SHUT OFF PADDLE SWITCH OPTION

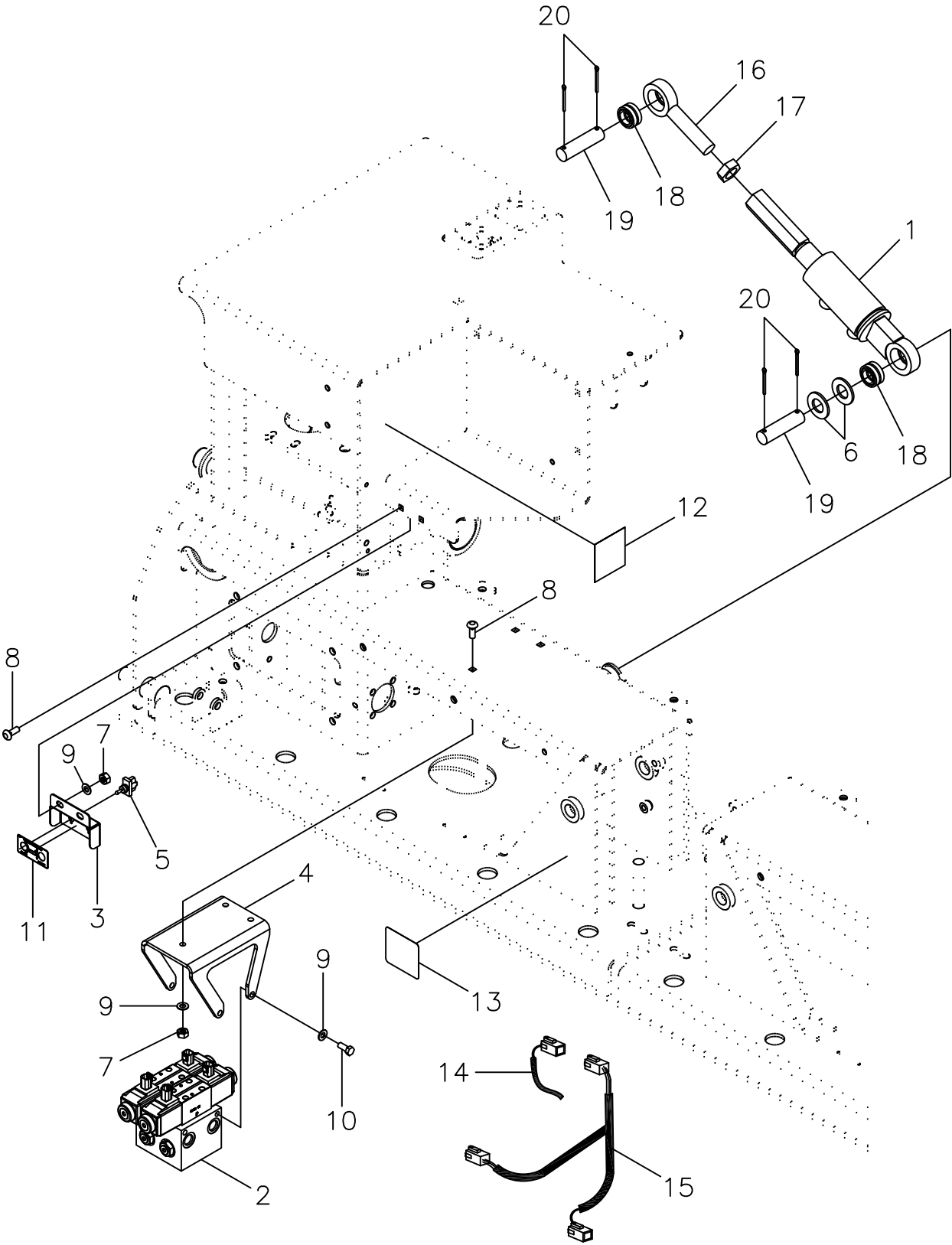


## CONVEYOR SHUT OFF PADDLE SWITCH OPTION

ITEM NO.	PART NO.	DESCRIPTION	QTY	REMARKS
1	11819	BOLT 1/4-20 x 1 1/4 ZY	6	
2	13712	SCREW #8-32 x 3/4 SS PH PANHEAD	4	
3	13845	JAM NUT 5/8-11 ZY	2	
4	14654	LOCK NUT 1/4-20 CNTRLK ZY	4	
5	18922	SWITCH PADDLE W/A	2	
6	18923	SWITCH ARM W/A	2	
7	18924	SWITCH MOUNTING W/A	2	
8	19763	P385 RH PADDLE SWITCH WIRE AY	1	
	19762	P385 LH PADDLE SWITCH WIRE AY	1	NOT SHOWN
9	19764	LIMIT SWITCH - 2PDT w/DEUTSCH	2	
10	70918264	WASHER 1/4 ZY	12	
11	70926771	BOLT 1/4-20 x 1 ZY	4	
12	70918266	WASHER 3/8 ZY	1	
13	3756	LOCK NUT 3/8-16 GRBTOPLOCK ZY	1	
14	70922287	BOLT 3/8-16 x 1 3/4 GR8 ZY	1	
15	70926917	P-CLAMP 3/8 3/8 MTG HOLE	2	
16	4115	WASHER 3/8 1.25 .19 ZY	2	
17	70916622	NUT 1/4-20 ZY	4	
18	20043	EXTENSION SPRING 3/8 OD x .048 x 3.0 PLATED	2	
	70196765	NYTIE 8" 50 LB	10	NOT SHOWN

GROUP:P385-200

# POWER HYDRAULIC SLOPE ASSEMBLY

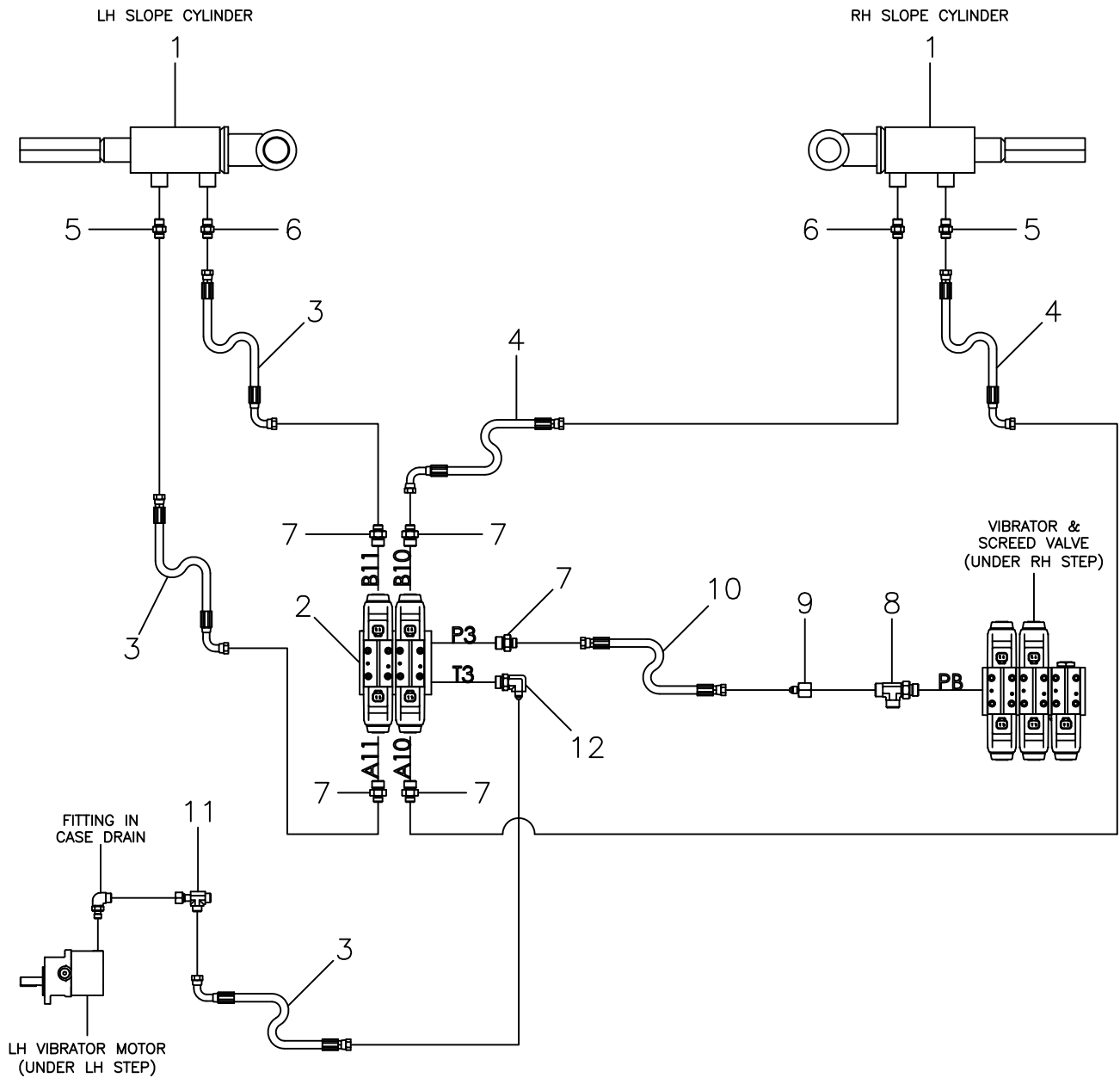


## POWER HYDRAULIC SLOPE ASSEMBLY

ITEM NO.	PART NO.	DESCRIPTION	QTY	REMARKS
1	19561	CYLINDER 2 1/2" X 1 1/2" ADJUSTABLE	2	
	11553	2 1/2" CYLINDER, 1 1/2" ROD SEAL KIT	AR	
2	11776	SCREED SLOPE VALVE - 2 SPOOL	1	BREAKDOWN PAGE 13.7
3	19569	SWITCH MOUNT	2	
4	19570	SLOPE VALVE MOUNT	1	
5	6128	TOGGLE SWITCH - 3 POSITION, 1 POLE, DT, MOM	2	
6	70928452	WASHER 1.06 2.0 .14 HARD ZY	4	
7	3756	LOCK NUT 3/8-16 GRBTOPLOCK ZY	7	
8	7298	CARRIAGE BOLT 3/8-16 x 1 ZY	7	
9	70918266	WASHER 3/8 ZY	11	
10	70923485	BOLT 3/8-16 x 7/8 GR8 ZY	4	
11	19571	EXTENSION CONTROL DECAL	2	
12	19888	DECAL - SLOPE ADJUSTMENT	2	
13	19568	SCREED SLOPE VALVE DECAL	1	
14	12530	P385 POWER SLOPE/HEIGHT TRACTOR WIRE AY	1	
15	12531	P385 POWER SLOPE/HEIGHT SCREED WIRE AY	1	
16	12111	RIGHT HAND TURNBUCKLE END	2	
17	C1D6306	JAM NUT 1-8 Z	2	
18	70654453	BALL BUSHING 1"	4	
19	12739	PIN FOR SLOPE	4	
20	14653	COTTER PIN 5/32 x 1 3/4 ZY	8	

GROUP:P385-301

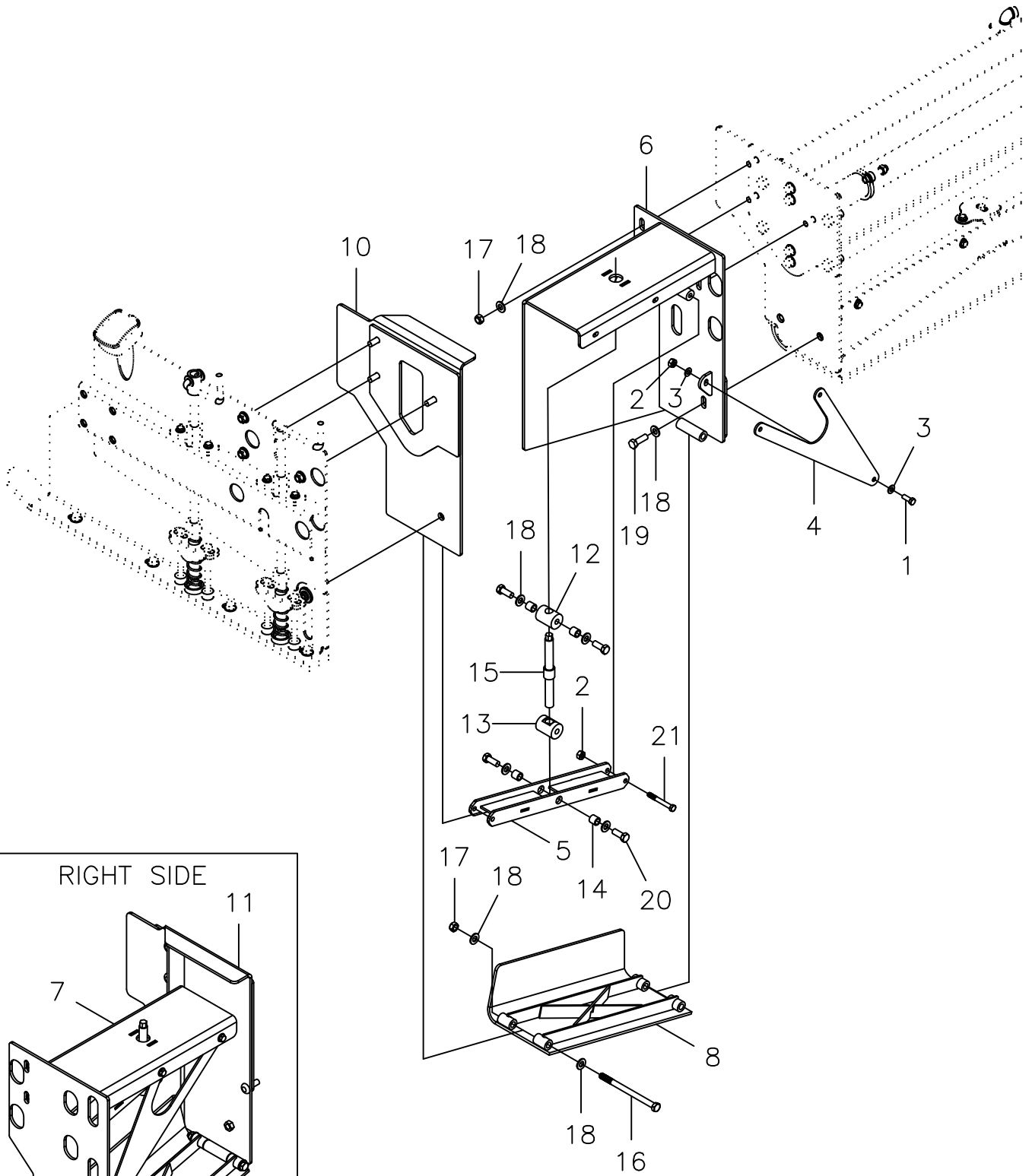
# POWER HYDRAULIC SLOPE HOSE DIAGRAM



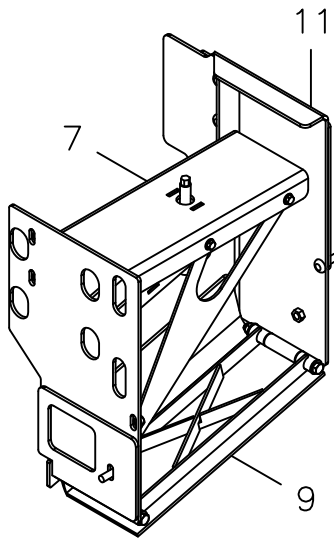
## POWER HYDRAULIC SLOPE HOSE DIAGRAM

ITEM NO.	PART NO.	DESCRIPTION	QTY	REMARKS
1	19561	CYLINDER 2 1/2" X 1 1/2" ADJUSTABLE	2	
	11553	2 1/2" CYLINDER, 1 1/2" ROD SEAL KIT	AR	
2	11776	SCREED SLOPE VALVE - 2 SPOOL	1	BREAKDOWN PAGE 13.7
3	19870	HOSE - 1/4 x 14 - 4 ORS 90 / 4 ORS R17 w/ SLEEVE	3	
4	19869	HOSE - 1/4 x 51 - 4 ORS 90 / 4 ORS R17 w/ SLEEVE	2	
5	20044	FITTING - 6 MORB x 4 ORFS W/ .01 ORIFICE	2	
6	20045	FITTING - 6 MORB x 4 ORFS W/ .02 ORIFICE	2	
7	3111	FITTING, 8 MORB X 4 ORFS	5	
8	11864	FITTING - 8ORS/8ORS/8ORB RUN T	1	
9	16608	FITTING - 8 ORS / 4 ORS REDUCER	1	
10	19871	HOSE - 1/4 x 32 - 4 ORS / 4 ORS R17 w/ SLEEVE	1	
11	3561	FITTING - 4 ORS SWIVEL NUT RUN TEE	1	
12	73156787	ADAPTER 90 DEG 4 ORS x 8 ORB	1	

# BOLT-ON BERM ASSEMBLY



RIGHT SIDE



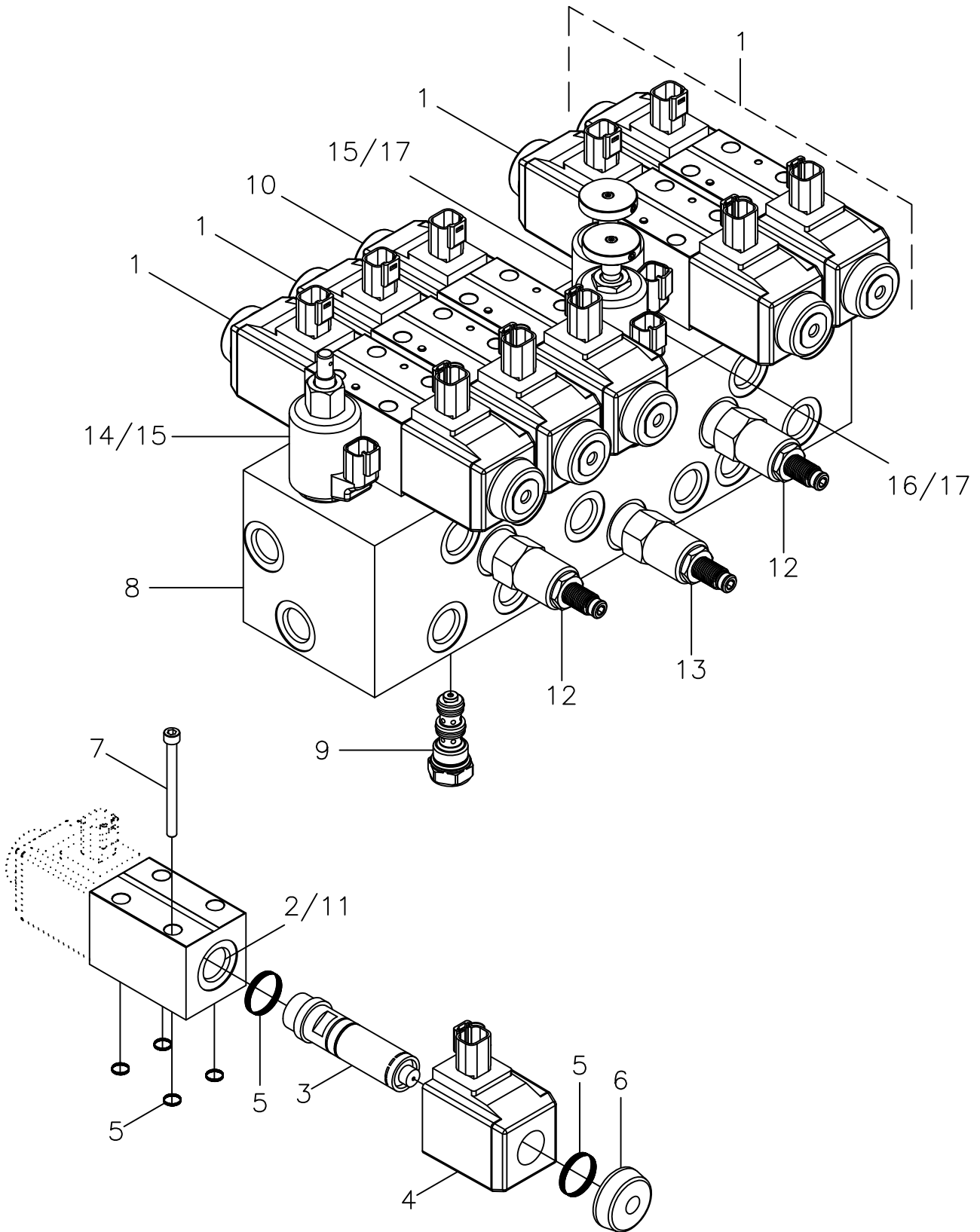


## BOLT-ON BERM ASSEMBLY

ITEM NO.	PART NO.	DESCRIPTION	QTY	REMARKS
1	70923490	BOLT 3/8-16 x 1 GR8 ZY	6	NOT USED ON 12 INCH
2	3756	LOCK NUT 3/8-16 GRB CENTER LOCK ZY	10	QTY 4 ON 12 INCH
3	70918266	WASHER 3/8 ZY	12	NOT USED ON 12 INCH
4	21897	18" REAR SUPPORT	2	NOT USED ON 12 INCH
	21912	24" REAR SUPPORT	2	NOT USED ON 12 INCH
5	20347	12" BERM LINK ARM W/A	2	
	21892	18" BERM LINK ARM W/A	2	
	21907	24" BERM LINK ARM W/A	2	
6	20348	12" LH INSIDE BERM BOX W/A	1	
	21893	18" LH INSIDE BERM BOX W/A	1	
	21908	24" LH INSIDE BERM BOX W/A	1	
7	20349	RH INSIDE BERM BOX W/A	1	
	21894	18" RH INSIDE BERM BOX W/A	1	
	21909	24" RH INSIDE BERM BOX W/A	1	
8	20350	12" LH BERM SCREED W/A	1	
	21895	18" LH BERM SCREED	1	
	21910	24" LH BERM SCREED	1	
9	20351	12" RH BERM SCREED W/A	1	
	21896	18" RH BERM SCREED	1	
	21911	24" RH BERM SCREED	1	
10	20352	LHS OUTSIDE BERM BOX	1	
11	20353	RH OUTSIDE BERM BOX	1	
12	12364	RH THREAD ADJUSTER	2	
13	12365	LH THREAD ADJUSTER	2	
14	12367	PIVOT TUBE	8	
15	20337	BERM DOUBLE STUD	2	
16	20433	BOLT 1/2-13 x 7 GR8 ZY	4	
17	3757	LOCK NUT 1/2-13 GRC TOPLOCK ZY	10	
18	3784	WASHER 1/2 HARD ZY	24	
19	70923154	BOLT 1/2-13 x 1 1/2 GR8 ZY	2	
20	70923473	BOLT 1/2-13 x 1 1/4 GR8 ZY	8	
21	70929019	BOLT 3/8-16 x 3 GR8 ZY	4	

GROUP:P385-320, P385-321 & P385-322

# HOPPER, SCREED & TOW VALVE BREAKDOWN

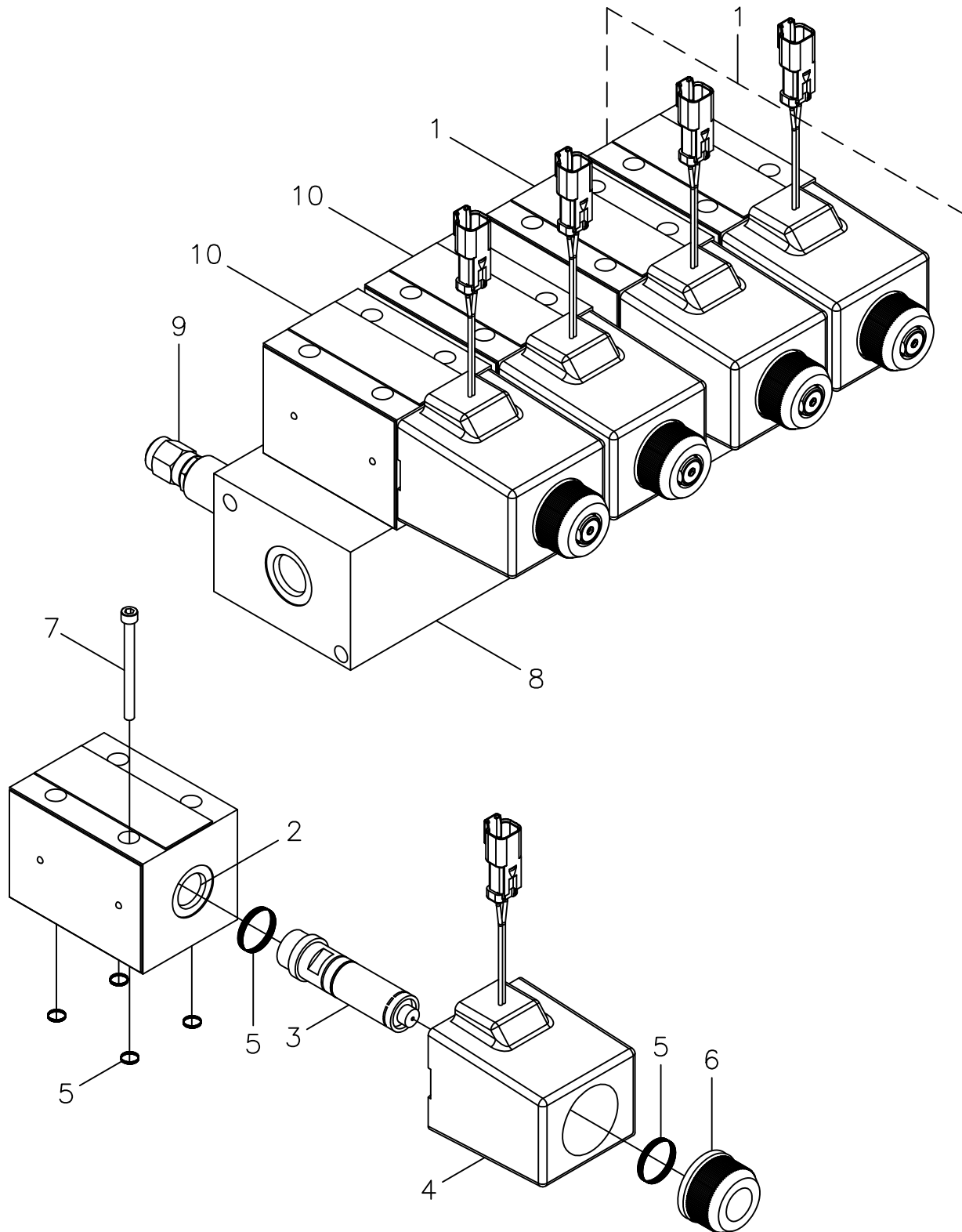


## HOPPER, SCREED & TOW VALVE BREAKDOWN

ITEM NO.	PART NO.	DESCRIPTION	QTY	REMARKS
1	11777C8	DO3 VALVE - 3POS/4WAY, MOTORING	4	INCLUDES ITEMS 2-6
2	11777C11	SPOOL	4	INSIDE
3	11775C5	CORE TUBE KIT	10	
4	15608	EATON D03-COIL	10	
5	C1551967	EATON DO3 SEAL KIT	5	
6	11775C7	EATON DO3 COIL NUT	10	
7	C1070809	BOLT KIT, EATON DO3 VALVE	5	4 BOLTS PER KIT
8	11777C1	MANIFOLD	1	
9	11777C4	DUAL PILOT CHECK VALVE	4	
10	11777C7	DO3 VALVE - 3POS/4WAY, CLOSED CENTER	1	INCLUDES ITEMS 3-6 & 11
11	11777C12	SPOOL	1	INSIDE
12	11777C3	RELIEF VALVE	2	
13	16675C1	RELIEF VALVE	1	
14	11777C2	SOLENOID VALVE	1	
15	11777C10	COIL - 12V	3	
16	11777C5	SOLENOID VALVE	1	
17	11777C6	SOLENOID VALVE	1	

GROUP:16675

# AUGER & CONVEYOR VALVE BREAKDOWN

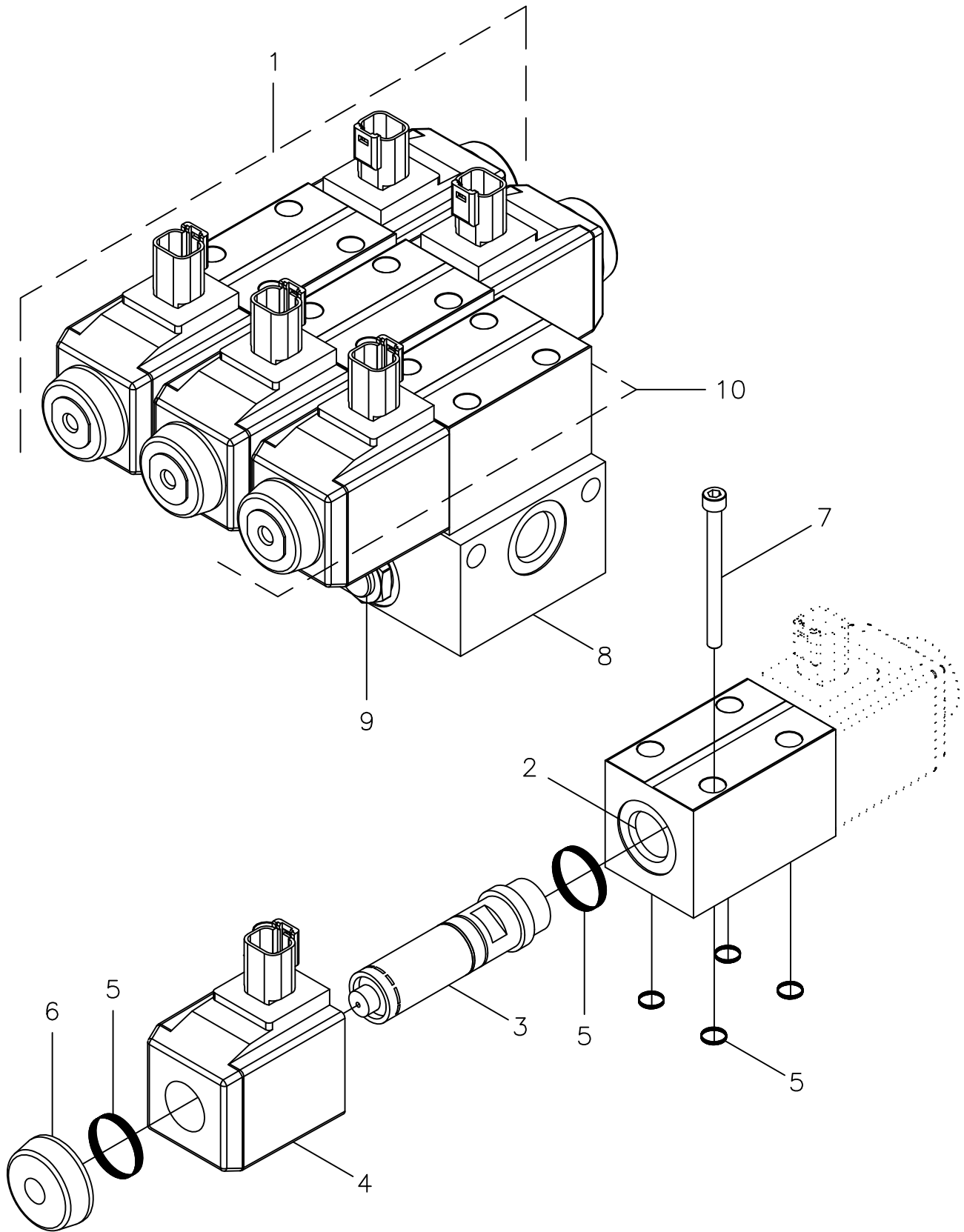


## AUGER & CONVEYOR VALVE BREAKDOWN

ITEM NO.	PART NO.	DESCRIPTION	QTY	REMARKS
1	11778C2	DO5 VALVE - 2POS/3WAY, MOTORING	2	INCLUDES ITEMS 2-6
2	11778C6	DO5 SPOOL	4	INSIDE
3	11778C7	DO5 CORE TUBE PARTS	4	
4	15609	EATON D05-COIL	4	
5	11778C8	EATON DO5 SEAL KIT	4	
6	11778C9	EATON DO5 COIL NUT	4	
7	11778C3	BOLT KIT - EATON DO5 VALVE	4	4 BOLTS PER KIT
8	11778C4	MANIFOLD	1	
9	11778C1	RELIEF VALVE	2	
10	11778C5	DO5 VALVE - 2POS/3WAY, MOTORING	2	INCLUDES ITEMS 2-6

GROUP:11778

# VIBRATOR & SCREED VALVE BREAKDOWN

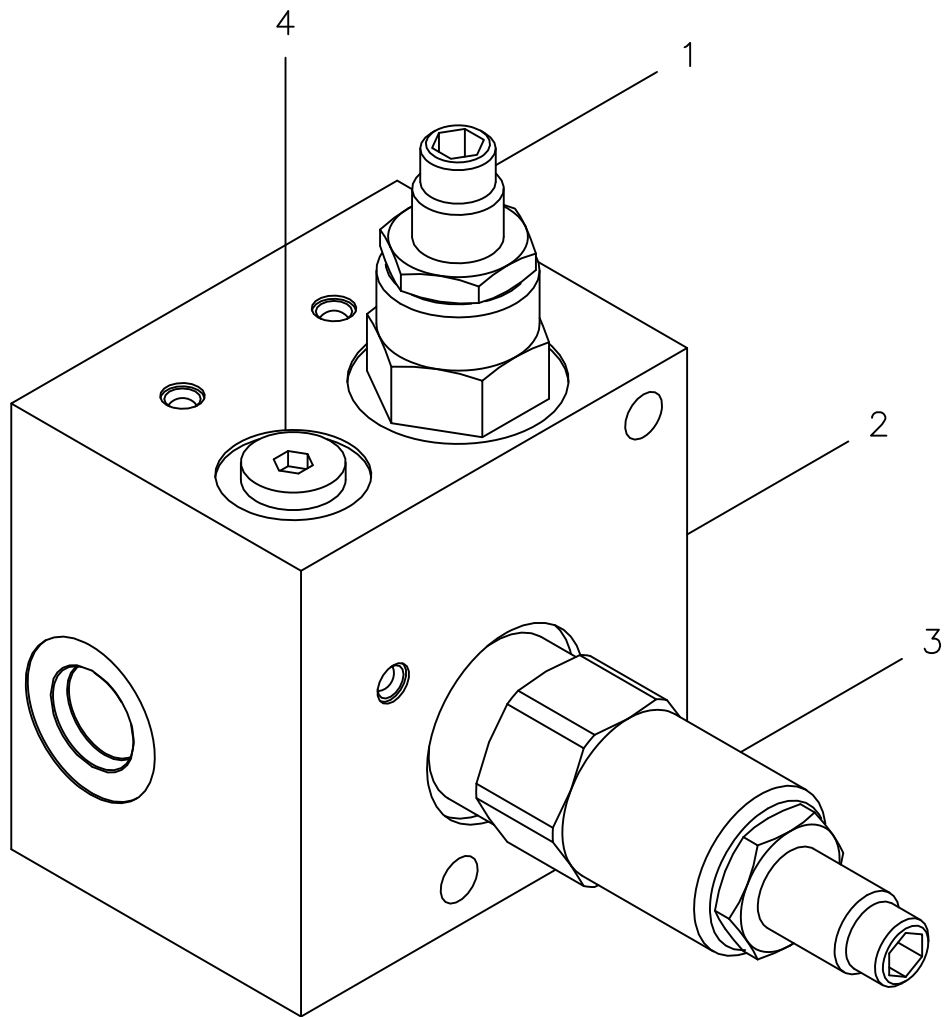


## VIBRATOR & SCREED VALVE BREAKDOWN

ITEM NO.	PART NO.	DESCRIPTION	QTY	REMARKS
1	11775C3	DO3 VALVE - 3POS/4WAY, OPEN CENTER	2	INCLUDES ITEMS 2-6
2	11775C4	SPOOL	3	INSIDE
3	11775C5	CORE TUBE KIT	5	
4	15608	EATON D03-COIL	5	
5	C1551967	EATON DO3 SEAL KIT	3	
6	11775C7	EATON DO3 COIL NUT	5	
7	C1070809	BOLT KIT, EATON DO3 VALVE	3	4 BOLTS PER KIT
8	11775C1	MANIFOLD	1	
9	C1501753	CHECK VALVE	1	
10	11775C2	DO3 VALVE - 2POS/3WAY, OPEN CENTER	1	INCLUDES ITEMS 2-6

GROUP:11775

# TRACK TENSION VALVE BREAKDOWN



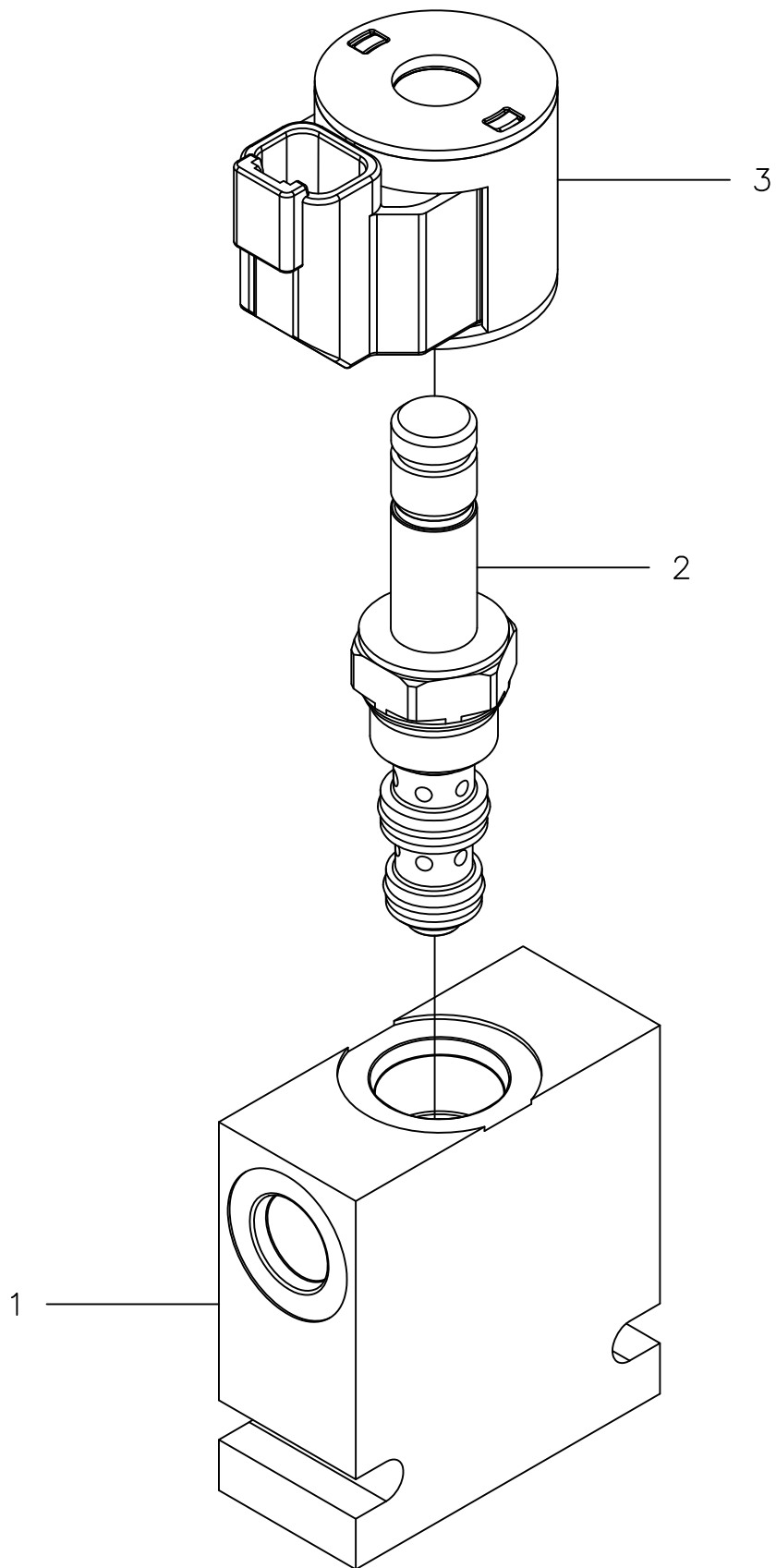


## TRACK TENSION VALVE BREAKDOWN

ITEM NO.	PART NO.	DESCRIPTION	QTY	REMARKS
1	11966C1	NEEDLE VALVE	1	
2	11966C4	MANIFOLD	1	
3	11966C2	RELIEF VALVE	1	
4	11966C3	CHECK VALVE	1	

GROUP:11966

# BRAKE & 2 SPEED VALVE BREAKDOWN

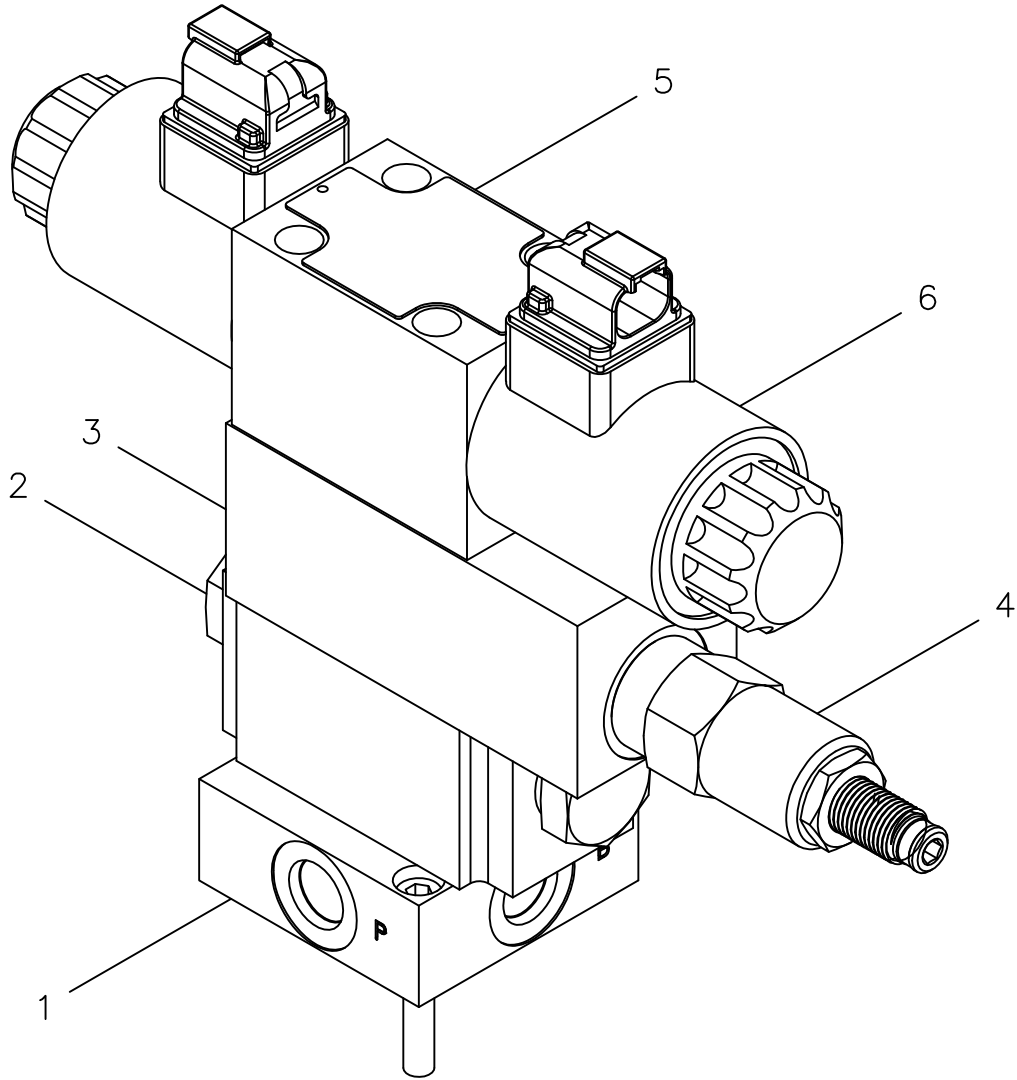


### BRAKE & 2 SPEED VALVE BREAKDOWN

ITEM NO.	PART NO.	DESCRIPTION	QTY	REMARKS
1	12464C2	VALVE BLOCK	1	
2	12464C3	2-POS, 3-WAY VALVE	1	
3	12464C1	12VOLT COIL	1	

GROUP:12464

# TRUCK HITCH VALVE BREAKDOWN

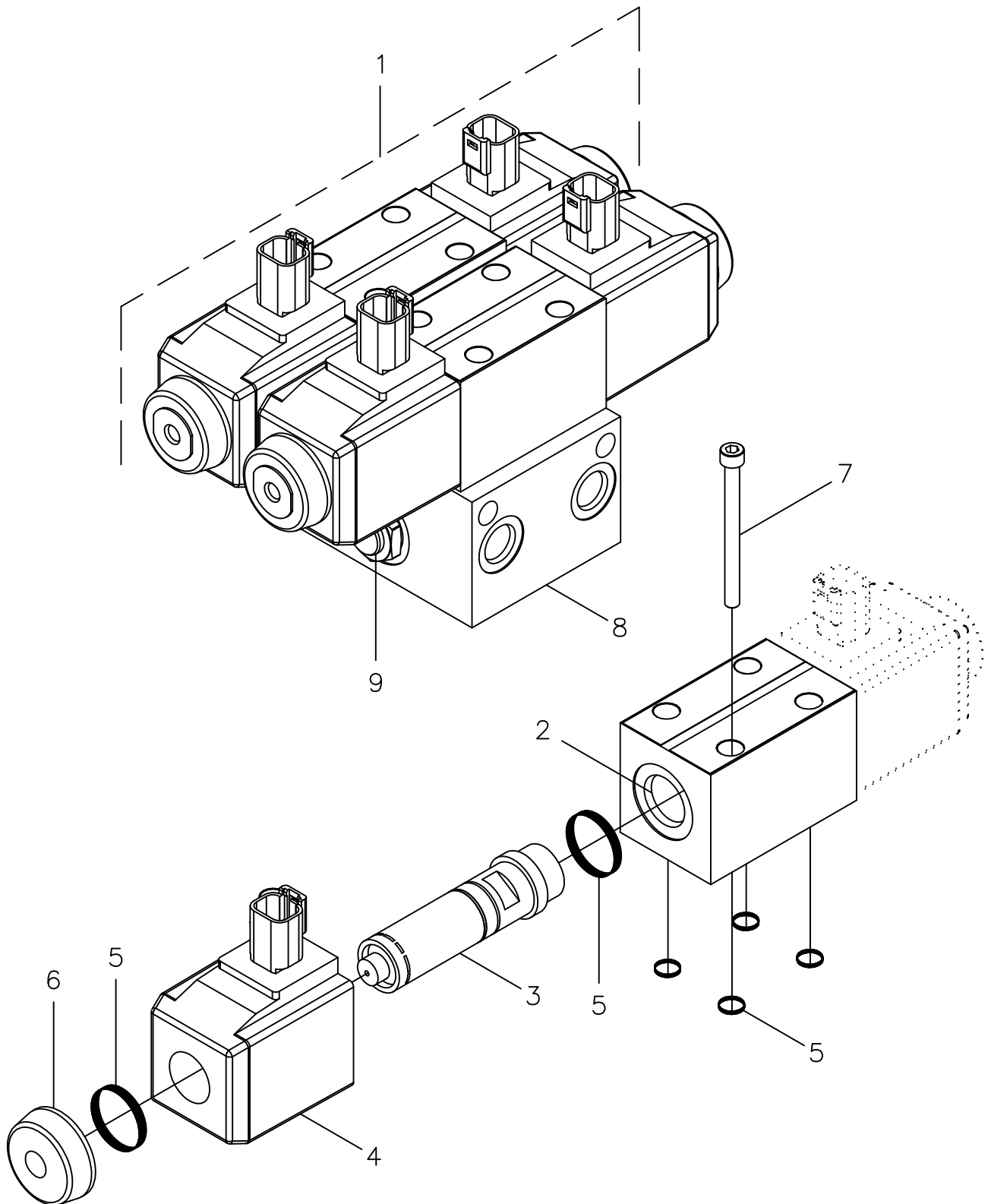


## TRUCK HITCH VALVE BREAKDOWN

ITEM NO.	PART NO.	DESCRIPTION	QTY	REMARKS
1	5832	SUBPLATE - 1 SPOOL VALVE (HYTOS DO3)	1	
2	8168C4	DUAL PO CHECK SANDWICH	1	
3	13877	DO3 SANDWICH VALVE	1	
4	12573	PRESSURE REDUCING VALVE	1	
5	13874	DO3 DIRECTIONAL VALVE 12VDC	1	INCLUDES ITEM 6
6	6899	12V COIL, HYTOS	2	

GROUP:7630

# SCREED SLOPE VALVE BREAKDOWN

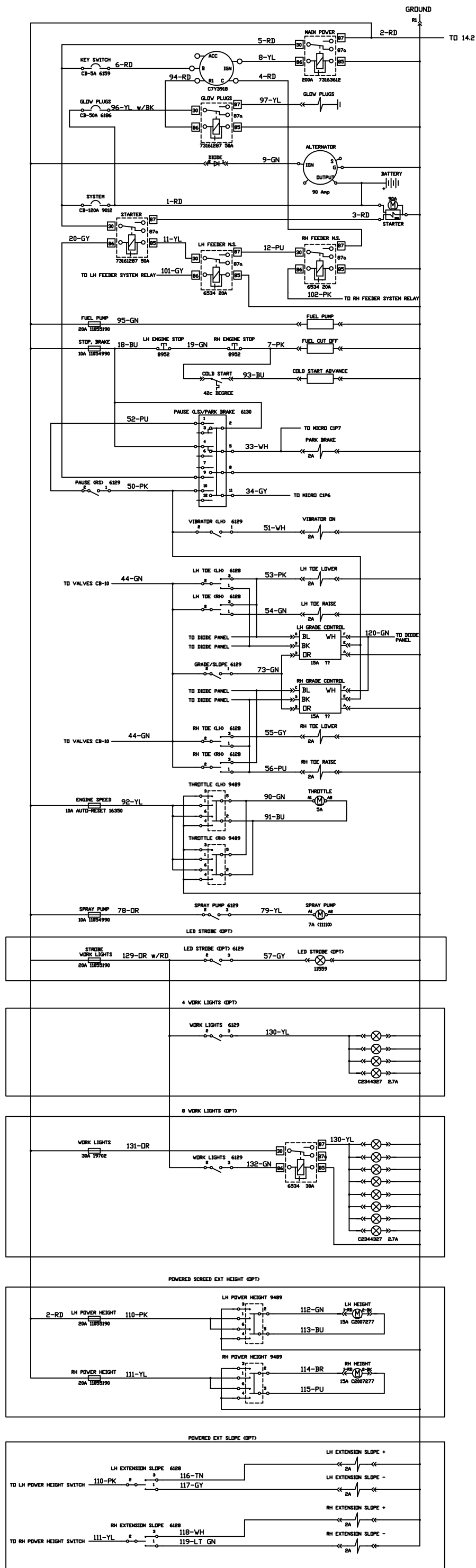


## SCREED SLOPE VALVE BREAKDOWN

ITEM NO.	PART NO.	DESCRIPTION	QTY	REMARKS
1	11777C8	DO3 VALVE - 3POS/4WAY, MOTORING	2	INCLUDES ITEMS 2-6
2	11777C11	SPOOL	2	INSIDE
3	11775C5	CORE TUBE KIT	4	
4	15608	EATON D03-COIL	4	
5	C1551967	EATON DO3 SEAL KIT	2	
6	11775C7	EATON DO3 COIL NUT	4	
7	C1070809	BOLT KIT, EATON DO3 VALVE	2	4 BOLTS PER KIT
8	11776C1	MANIFOLD	1	
9	11777C4	DUAL PILOT CHECK VALVE	2	

GROUP:11776

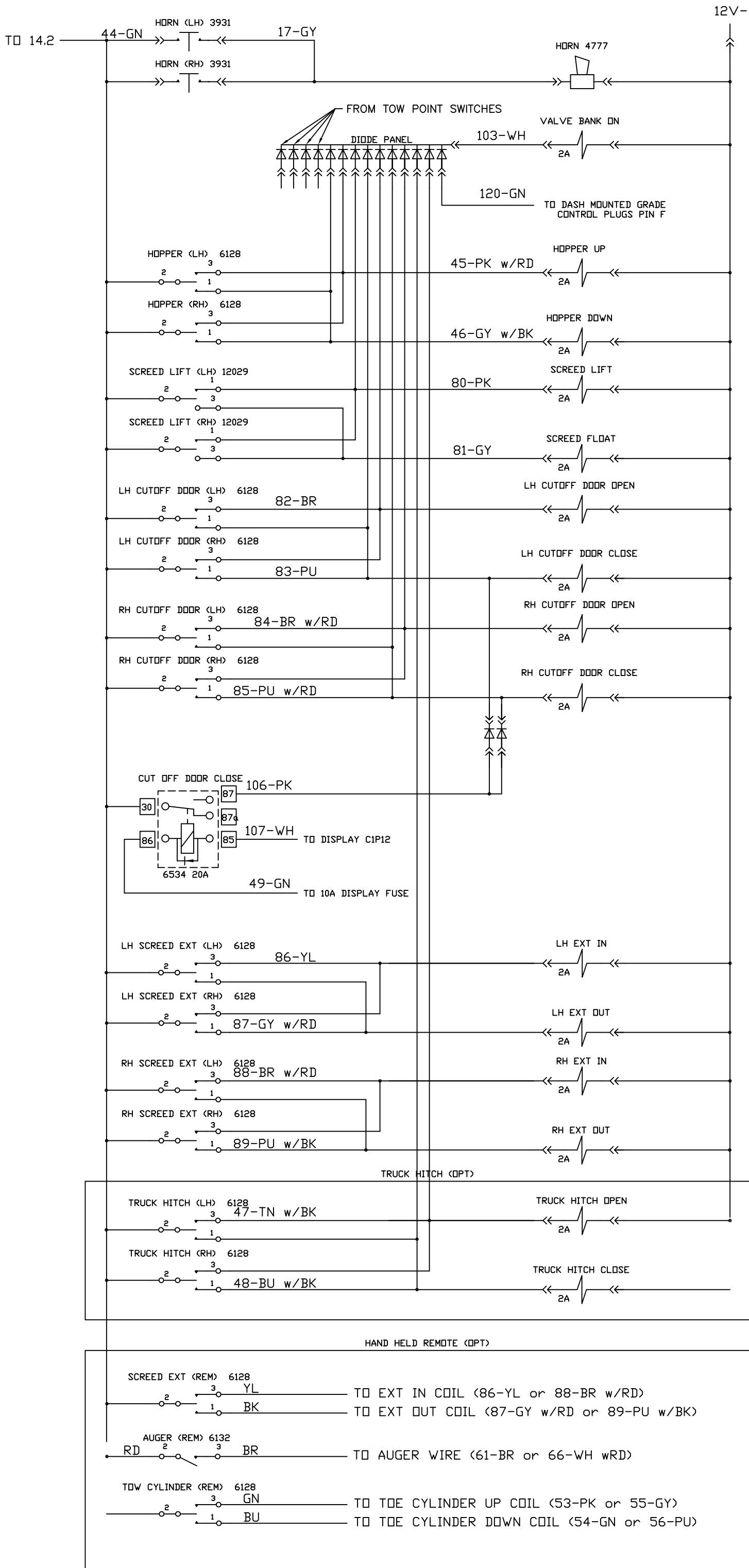
# ELECTRICAL LADDER



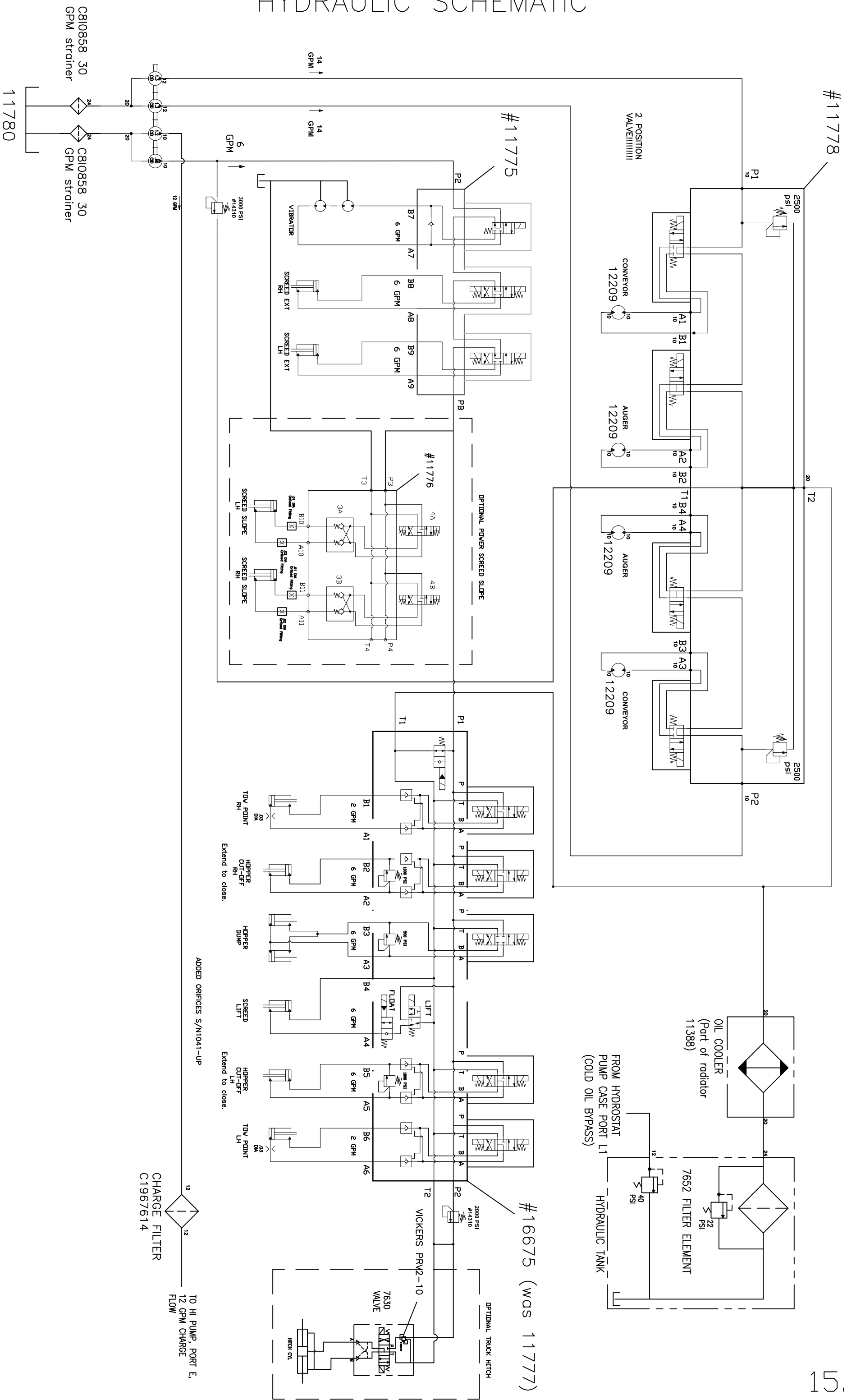




# ELECTRICAL LADDER



# HYDRAULIC SCHEMATIC



# HYDRAULIC SCHEMATIC

